



Chipsmall Limited consists of a professional team with an average of over 10 year of expertise in the distribution of electronic components. Based in Hongkong, we have already established firm and mutual-benefit business relationships with customers from,Europe,America and south Asia,supplying obsolete and hard-to-find components to meet their specific needs.

With the principle of “Quality Parts,Customers Priority,Honest Operation,and Considerate Service”,our business mainly focus on the distribution of electronic components. Line cards we deal with include Microchip,ALPS,ROHM,Xilinx,Pulse,ON,Everlight and Freescale. Main products comprise IC,Modules,Potentiometer,IC Socket,Relay,Connector.Our parts cover such applications as commercial,industrial, and automotives areas.

We are looking forward to setting up business relationship with you and hope to provide you with the best service and solution. Let us make a better world for our industry!



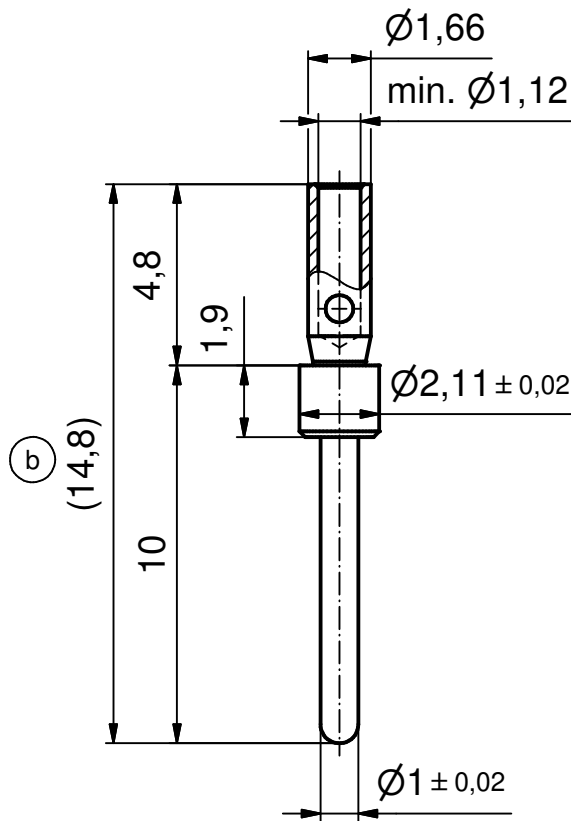
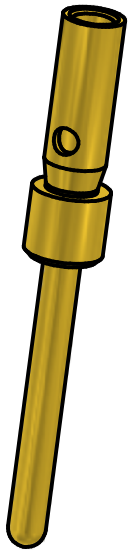
## Contact us

Tel: +86-755-8981 8866 Fax: +86-755-8427 6832

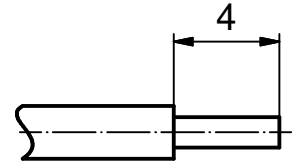
Email & Skype: info@chipsmall.com Web: www.chipsmall.com

Address: A1208, Overseas Decoration Building, #122 Zhenhua RD., Futian, Shenzhen, China





STRIPPING DIMENSION (b)



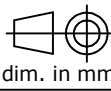

| Part-no. as per finish         |   |   |   |
|--------------------------------|---|---|---|
| (b) GOLD FLASH over NICKEL (c) | min. 20µm HARD GOLD over min. 50µm NICKEL | min. 30µm HARD GOLD over min. 50µm NICKEL | min. 50µm HARD GOLD over min. 50µm NICKEL |
| 161A18299X                     | 161B18299X                                | 161C18299X                                | 161J18299X                                |

- (b) NOTES:
1. Material: Copper alloy
  2. Finish: See table
  3. Temperature range: -55 °C to +125 °C
  4. Rated current: 7.5 A maximum
  5. Contact resistance: ≤ 10 mOhm
  6. Crimping: Use crimp tool 360X10329X  
With tool insert 360X20069X  
Selector settings: 7 for AWG 20  
6 for AWG 22  
5 for AWG 24

Directive 2002/95/EC RoHS compliant

THIS DRAWING MAY NOT BE COPIED OR REPRODUCED IN ANY WAY, AND MAY NOT BE PASSED ON TO A THIRD PARTY WITHOUT WRITTEN PERMISSION. OWNERSHIP AND COPYRIGHT OF CONEC GmbH

DO NOT ALTER CAD DRAWING BY HAND

|       |             |          |       |   |   |
|-------|-------------|----------|-------|---|---|
|       |             |          |       | tolerance<br>DIN ISO 2768-m   | <br>dim. in mm |
|       |             |          |       | date  | name  |
|       |             |          |       | drawn 08.02.06  | Lehmenkühler  |
|       |             |          |       | appd. 08.02.06  | Mickenbecker  |
|       |             |          |       | norm  |   |
| 1 x c | Ä 4116      | 26.09.11 | Lehm. | d-old   |   |
| 4 x b | Ä 3698      | 25.08.10 | Lehm. |   |   |
| a     | Original    |          |       |   |   |
| rev.  | description | date     | name  |  |   |

|           |  |        |
|-----------|--|--------|
| scale:    | 5:1  |        |
| material: | SEE NOTES  |        |
| title:    | <b>CRIMP PLUG CONTACT</b><br>screw machined version<br>accepts cable AWG 24-20 |        |
| dwg no:   | Inventor 10  | DIN-A4 |
|           | 16K1A1743  | sh: 1  |
| part no:  | SEE TABLE  |        |