



Chipsmall Limited consists of a professional team with an average of over 10 year of expertise in the distribution of electronic components. Based in Hongkong, we have already established firm and mutual-benefit business relationships with customers from,Europe,America and south Asia,supplying obsolete and hard-to-find components to meet their specific needs.

With the principle of "Quality Parts,Customers Priority,Honest Operation,and Considerate Service",our business mainly focus on the distribution of electronic components. Line cards we deal with include Microchip,ALPS,ROHM,Xilinx,Pulse,ON,Everlight and Freescale. Main products comprise IC,Modules,Potentiometer,IC Socket,Relay,Connector.Our parts cover such applications as commercial,industrial, and automotives areas.

We are looking forward to setting up business relationship with you and hope to provide you with the best service and solution. Let us make a better world for our industry!



Contact us

Tel: +86-755-8981 8866 Fax: +86-755-8427 6832

Email & Skype: info@chipsmall.com Web: www.chipsmall.com

Address: A1208, Overseas Decoration Building, #122 Zhenhua RD., Futian, Shenzhen, China



NOTES:

1. MATERIALS AND FINISHES:

- HEX NUT - BRASS, NICKEL PLATING
- LOCK WASHER - BRASS, NICKEL PLATING
- BODY - BRASS, NICKEL PLATING
- CONTACT - BRASS & PHOSPHOR BRONZE, GOLD PLATING
- INSULATOR - PBT, WHITE

2. ELECTRICAL:

A. DIELECTRIC WITHSTANDING VOLTAGE: 1500 VRMS, MIN.

3. MECHANICAL:

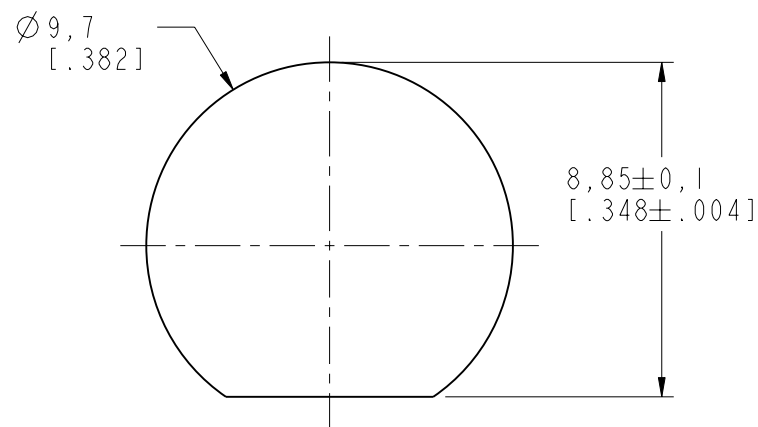
- A. TEMPERATURE RANGE: -40°C TO 60°C
- B. INSULATORS MUST WITHSTAND A 2 IN-LBS MIN. TORQUE

4. INTERFACE PER 349-50551 SEC.102 AFTER ASSEMBLY.

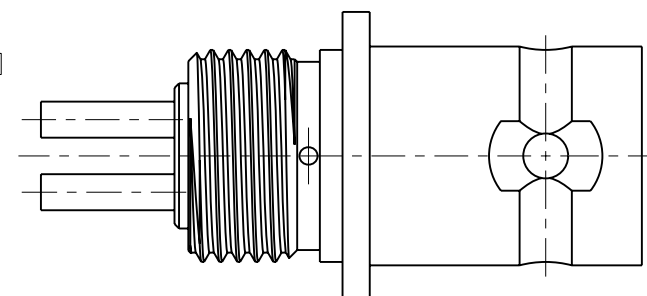
THIRD ANGLE PROJ.

REVISIONS

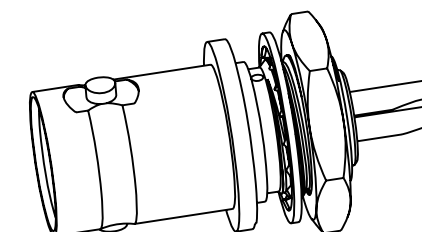
REV	DESCRIPTION	DATE	ECO	APPR
NC	INITIAL RELEASE	31-May-07	-----	GRS
D	SYNC, ADDED STAKE\RD-DMI6031101M	16-Mar-16	00121	SH



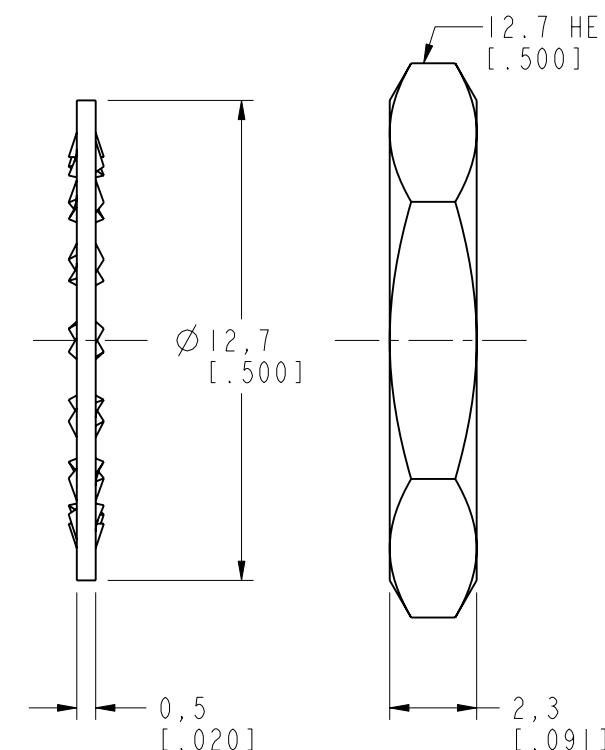
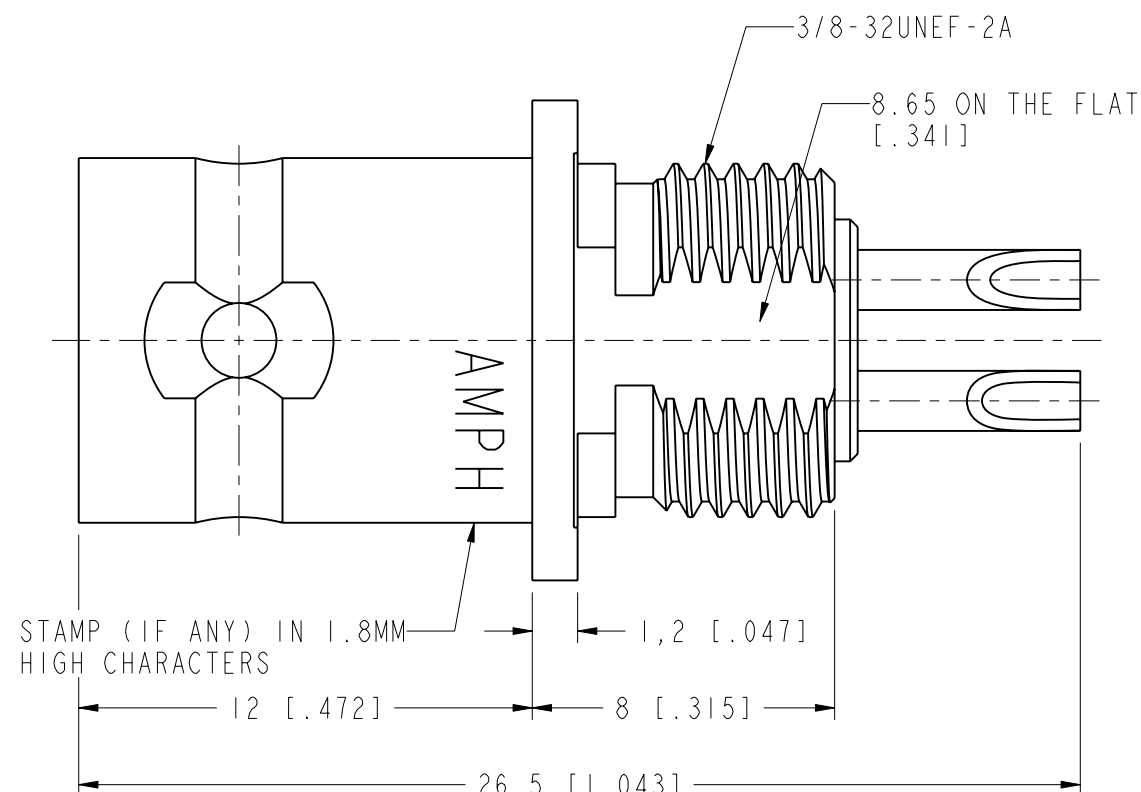
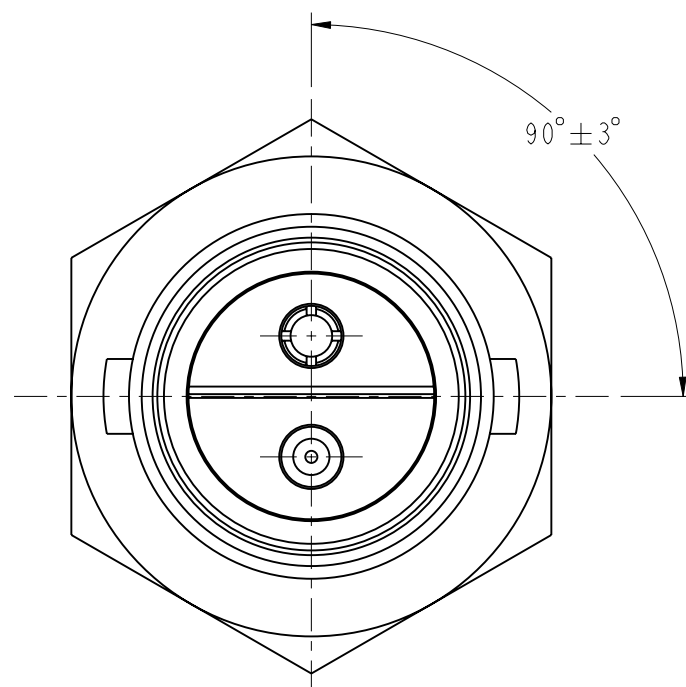
RECOMMENDED MOUNTING HOLE



SCALE 3.000



SCALE 2.000



CUSTOMER OUTLINE DRAWING

ALL OTHER SHEETS ARE FOR INTERNAL USE ONLY

UNLESS OTHERWISE SPECIFIED, DIMENSIONS ARE IN METRIC AND TOLERANCES ARE: <0.5mm ±0.05mm 0.5 - 6mm ±0.1mm 6 - 30mm ±0.2mm 30 - 120mm ±0.3mm ANGLES ±1°
NOTICE - These drawings, specifications, or other data (1) are, and remain the property of Amphenol corp. (2) must be returned upon request; and (3) are confidential and not to be disclosed to any person other than those to whom they are given by Amphenol Corp. the furnishing of these drawings, specifications, or other data by Amphenol Corp., or to any other person to anyone for any purpose is not to be regarded by implication or otherwise in any manner licensing, granting rights to permitting such holder or any other person to manufacture, use or sell any product, process or design, patented or otherwise, that may in any way be related to or disclosed by said drawings, specifications, or other data.

MATERIAL	DRAWN M. ZHANG	DATE 16-Mar-16
REFERENCE AND CONFIGURATION LEVEL: In Work	ENGINEER S. HSIEH	DATE 06-Jan-09
FINISH	APPROVED S. HSIEH	DATE 16-Mar-16
	CAD FILE	

TITLE BNC TWIN BULKHEAD RECEPT. JACK
SCALE: 5.0:1.0 SHEET 2 OF 2
DWG SIZE B REV D

Amphenol RF www.amphenolrf.com
DRAWING NO. TWB6351BI-NPB3G
ITEM NO. 246351AAA01MA0F
PART NO. 162109