



Chipsmall Limited consists of a professional team with an average of over 10 year of expertise in the distribution of electronic components. Based in Hongkong, we have already established firm and mutual-benefit business relationships with customers from,Europe,America and south Asia,supplying obsolete and hard-to-find components to meet their specific needs.

With the principle of “Quality Parts,Customers Priority,Honest Operation,and Considerate Service”,our business mainly focus on the distribution of electronic components. Line cards we deal with include Microchip,ALPS,ROHM,Xilinx,Pulse,ON,Everlight and Freescale. Main products comprise IC,Modules,Potentiometer,IC Socket,Relay,Connector.Our parts cover such applications as commercial,industrial, and automotives areas.

We are looking forward to setting up business relationship with you and hope to provide you with the best service and solution. Let us make a better world for our industry!



Contact us

Tel: +86-755-8981 8866 Fax: +86-755-8427 6832

Email & Skype: info@chipsmall.com Web: www.chipsmall.com

Address: A1208, Overseas Decoration Building, #122 Zhenhua RD., Futian, Shenzhen, China



AC charging cable - EV-T2M3P-3AC32A-4,0M6,0ESBK00 - 1622677

Please be informed that the data shown in this PDF Document is generated from our Online Catalog. Please find the complete data in the user's documentation. Our General Terms of Use for Downloads are valid (<http://phoenixcontact.com/download>)



AC charging cable with Infrastructure Plug, open cable end, with locking option for U-lock, with protective cap, Type 2, IEC 62196-2, Cable: 4 m, black, straight

Product Description

AC charging cable with Infrastructure Plug and open cable end for charging electric vehicles (EV) with alternating current (AC), compatible with type 2 Infrastructure Socket Outlets at charging stations for E-Mobility (EVSE)



Key Commercial Data

Packing unit	1 STK
Custom tariff number	85444290
Country of origin	Germany

Technical data

Product definition

Product type	AC charging cable with Infrastructure Plug, open cable end, with locking option for U-lock, with protective cap
Type	Design line 1
Standards/regulations	IEC 62196-2
Charging standard	Type 2
Charging mode	Mode 3
Type of charging current	AC 3-phase

Dimensions

Conductor length	4 m
Stripping length	45 mm ±10 mm

Ambient conditions

AC charging cable - EV-T2M3P-3AC32A-4,0M6,0ESBK00 - 1622677

Technical data

Ambient conditions

Ambient temperature (operation)	-30 °C ... 50 °C
Ambient temperature (storage/transport)	-40 °C ... 80 °C
Max. altitude	5000 m (above sea level)

Electrical properties

Number of power contacts	5 (L1, L2, L3, N, PE)
Rated current of power contacts	32 A
Rated voltage for power contacts	480 V AC
Number of signal contacts	2 (CP, PP)
Rated current for signal contacts	2 A
Rated voltage for signal contacts	30 V AC
Resistor coding	220 Ω

Mechanical properties

Insertion/withdrawal cycles	> 10000
Insertion force	max. 100 N
Withdrawal force	max. 100 N

Material

Housing material	PBT
Material surface of contacts	Ag

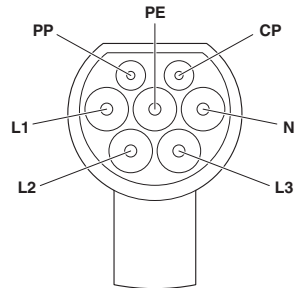
Cable

Cable structure	5 x 6.0 mm ² + 1 x 0.5 mm ² (prEN 50620, VDE Reg. 8789 class 5)
External cable diameter	17 mm ±0.4 mm
Type of conductor	straight
Outer sheath, material	TPE-U
External sheath, color	black
Minimum bending radius	255 mm (15 x diameter)

Drawings

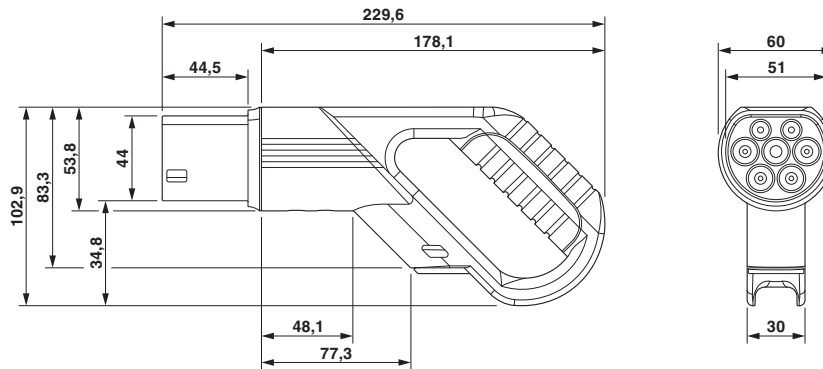
AC charging cable - EV-T2M3P-3AC32A-4,0M6,0ESBK00 - 1622677

Connection diagram



Pin assignment of Infrastructure Plug

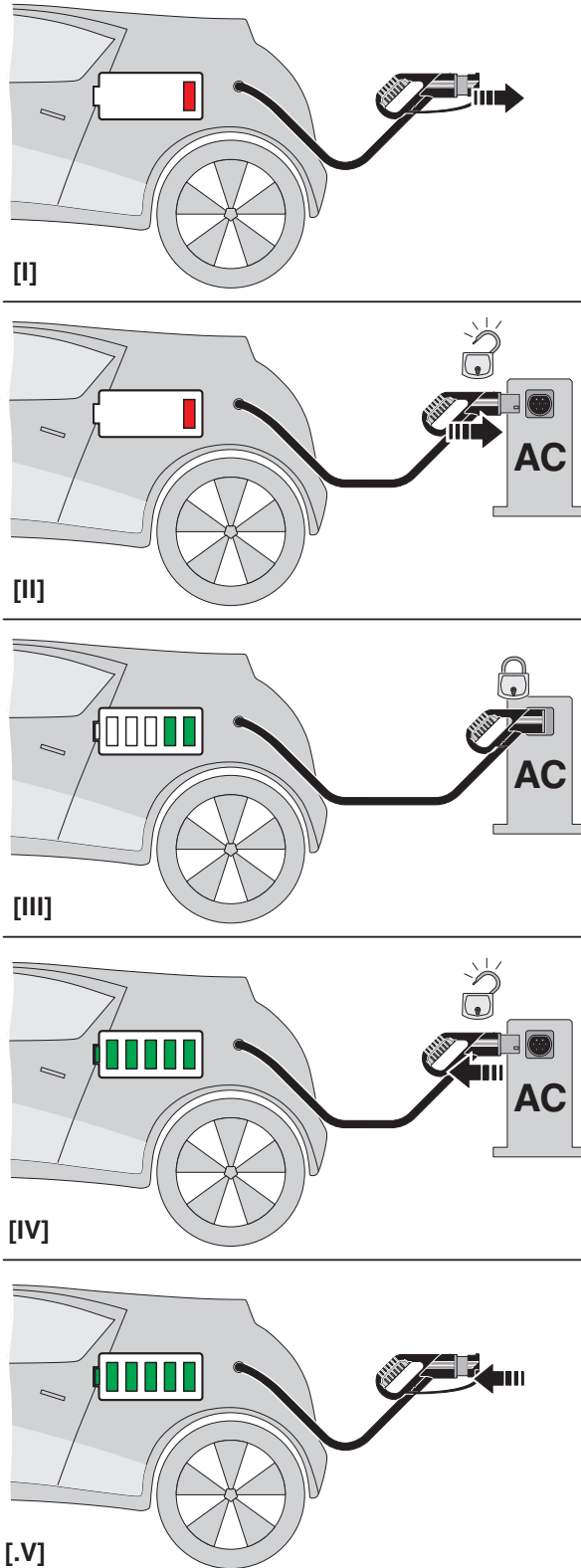
Dimensional drawing



Dimensional drawing of the Infrastructure Plug

AC charging cable - EV-T2M3P-3AC32A-4,0M6,0ESBK00 - 1622677

Schematic diagram



AC charging cable - EV-T2M3P-3AC32A-4,0M6,0ESBK00 - 1622677

Classifications

eCl@ss

eCl@ss 6.0	27059290
eCl@ss 8.0	27059290
eCl@ss 9.0	27144705

ETIM

ETIM 5.0	EC002839
----------	----------

Approvals


Approvals

Approvals

VDE Zeichengenehmigung

Ex Approvals

Approval details

VDE Zeichengenehmigung  http://www.vde.de 40037318	
mm ² /AWG/kcmil	6.0
Nominal current I _N	32 A
Nominal voltage U _N	480 V

Accessories

Accessories

Mounting material

Holder - EV-T2AC-PARK - 1624148



