



Chipsmall Limited consists of a professional team with an average of over 10 year of expertise in the distribution of electronic components. Based in Hongkong, we have already established firm and mutual-benefit business relationships with customers from,Europe,America and south Asia,supplying obsolete and hard-to-find components to meet their specific needs.

With the principle of “Quality Parts,Customers Priority,Honest Operation,and Considerate Service”,our business mainly focus on the distribution of electronic components. Line cards we deal with include Microchip,ALPS,ROHM,Xilinx,Pulse,ON,Everlight and Freescale. Main products comprise IC,Modules,Potentiometer,IC Socket,Relay,Connector.Our parts cover such applications as commercial,industrial, and automotives areas.

We are looking forward to setting up business relationship with you and hope to provide you with the best service and solution. Let us make a better world for our industry!



Contact us

Tel: +86-755-8981 8866 Fax: +86-755-8427 6832

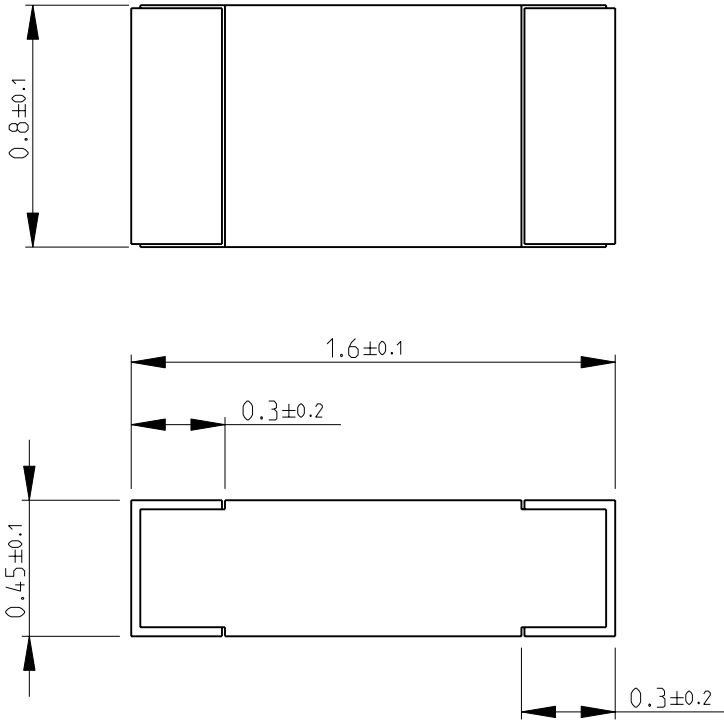
Email & Skype: info@chipsmall.com Web: www.chipsmall.com

Address: A1208, Overseas Decoration Building, #122 Zhenhua RD., Futian, Shenzhen, China

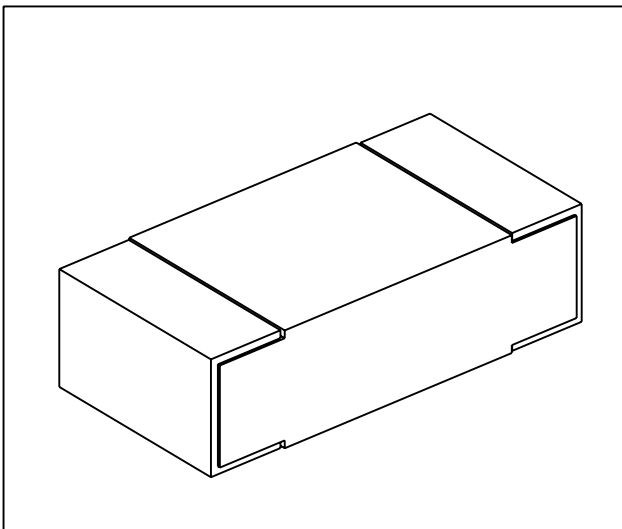


LOC	DIST	REVISIONS			
P	LTR	DESCRIPTION	DATE	DWN	APVD
E	B	BA1	REVISED PER ECO-11-005150	29MAR2011	RK HMR

- 1 PACKAGING- 1000 PIECES PER REEL
- 2 FOR FURTHER INFORMATION SEE DATA SHEET FOR 3640 SERIES-HIGH FREQUENCY INDUCTORS



RoHS Compliant



2008
 RELEASED FOR PUBLICATION
 ALL RIGHTS RESERVED.
 BY -
 COPYRIGHT 2008

DIMENSIONS: mm TOLERANCES UNLESS OTHERWISE SPECIFIED: 0 PLC ±0.2 1 PLC ±0.1 2 PLC ±- 3 PLC ±- 4 PLC ±- ANGLES ±5°	DWN SUBHASH.M 10-Sep-08 CHK PRAKASH.S 10-Sep-08 APVD STEPHEN.P 10-Sep-08 PRODUCT SPEC - APPLICATION SPEC - WEIGHT -	MATERIAL - FINISH - NAME HIGH FREQUENCY INDUCTORS SMD SERIES 3640 0603	SCALE 40:1 SHEET 1 OF 1 REV BA1
	CUSTOMER DRAWING	SIZE A4 CAGE CODE 00779 DRAWING NO C= 1624109 RESTRICTED TO -	