



Chipsmall Limited consists of a professional team with an average of over 10 year of expertise in the distribution of electronic components. Based in Hongkong, we have already established firm and mutual-benefit business relationships with customers from,Europe,America and south Asia,supplying obsolete and hard-to-find components to meet their specific needs.

With the principle of “Quality Parts,Customers Priority,Honest Operation,and Considerate Service”,our business mainly focus on the distribution of electronic components. Line cards we deal with include Microchip,ALPS,ROHM,Xilinx,Pulse,ON,Everlight and Freescale. Main products comprise IC,Modules,Potentiometer,IC Socket,Relay,Connector.Our parts cover such applications as commercial,industrial, and automotives areas.

We are looking forward to setting up business relationship with you and hope to provide you with the best service and solution. Let us make a better world for our industry!



## Contact us

Tel: +86-755-8981 8866 Fax: +86-755-8427 6832

Email & Skype: info@chipsmall.com Web: www.chipsmall.com

Address: A1208, Overseas Decoration Building, #122 Zhenhua RD., Futian, Shenzhen, China



# Incandescent Indicators



T-1 3/4  
MIDGET  
FLANGE BASE

See lamp ratings  
on page J.

TWO TERMINALS—FULLY INSULATED  
FOR MOUNTING IN 15/32" CLEARANCE HOLE

MEET OR EXCEED ENVIRONMENTAL AND OPERATIONAL REQUIREMENTS  
OF MIL-L-6723 AND MIL-L-3661B

## Feature

- Anti-rotation (locked) construction: Provides for secure locking of the socket terminal assembly in the mounting bushing and of the center terminal to the insulating disc. The notched mounting bushing receives the matched insulating disc to prevent the rotation of the mounting bushing.

## MATERIALS AND FINISHES

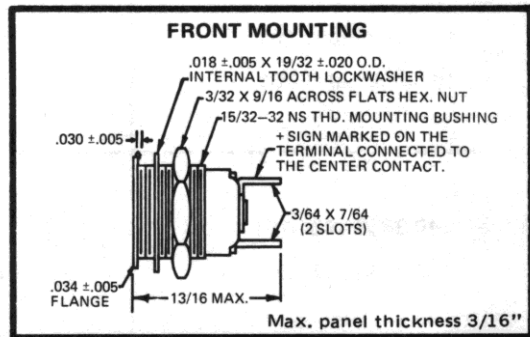
- **Mounting Bushing:** Aluminum, black anodize finish. Optional—clear anodize finish.
- **Internal-tooth Lockwasher and Mounting Nut:** Steel, cadmium plated with yellow iridescent chromate finish.
- **Terminals:** Brass, hot tinned with elongated slot.

How to designate the Three Digit Part Number Suffix (—XXX)

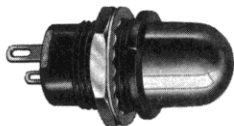
| Finish            | Resistor | Hardware  |
|-------------------|----------|-----------|
| 5 — black anodize | 0 — none | 2 — steel |
| 6 — clear anodize |          |           |

Example: 162-8430-0971-602 (clear anodize finish, no resistor, steel hardware).

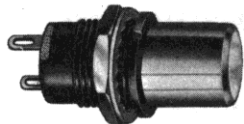
162 SERIES  
178 SERIES



## BASE PART NUMBERS



162-8430-0971-502



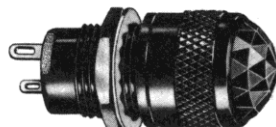
162-8430-1471-502



178-8430-0371-502



178-8430-0111-502



178-8430-2131-502

| CAP PART NUMBERS  | COMPLETE ASSEMBLY PART NUMBERS         |
|---|--|
| <p><b>STOVEPIPE</b><br/>162-0971<br/>translucent</p>                                  | 162-8430-0971-502                      |
| <p><b>CYLINDRICAL</b><br/>162-1431<br/>transparent<br/>162-1471<br/>translucent</p>   | 162-8430-1431-502<br>162-8430-1471-502 |
| For legends on flat faced lens, see page P.   |  |
| <p><b>FLAT</b><br/>178-0331-500<br/>transparent<br/>178-0371-500*<br/>translucent</p> | 178-8430-0331-502<br>178-8430-0371-502 |
| For legends on flat faced lens, see page P.   |  |
| <p><b>CONVEX</b><br/>178-0131-500<br/>unfrosted<br/>178-0111-500<br/>back frosted</p> | 178-8430-0131-502<br>178-8430-0111-502 |
| <p><b>FACETED</b><br/>178-2131-500<br/>unfrosted</p>                                  | 178-8430-2131-502                      |

\*Specify translucent colors as follows: Red -0371;  
Green -0372; Yellow (amber) -0373; Blue -0374;  
White -0375; Light yellow -0376.

Part numbers shown in gray are normally  
in inventory at your Dialight Distributor.