



Chipsmall Limited consists of a professional team with an average of over 10 year of expertise in the distribution of electronic components. Based in Hongkong, we have already established firm and mutual-benefit business relationships with customers from,Europe,America and south Asia,supplying obsolete and hard-to-find components to meet their specific needs.

With the principle of “Quality Parts,Customers Priority,Honest Operation,and Considerate Service”,our business mainly focus on the distribution of electronic components. Line cards we deal with include Microchip,ALPS,ROHM,Xilinx,Pulse,ON,Everlight and Freescale. Main products comprise IC,Modules,Potentiometer,IC Socket,Relay,Connector.Our parts cover such applications as commercial,industrial, and automotives areas.

We are looking forward to setting up business relationship with you and hope to provide you with the best service and solution. Let us make a better world for our industry!



## Contact us

Tel: +86-755-8981 8866 Fax: +86-755-8427 6832

Email & Skype: info@chipsmall.com Web: www.chipsmall.com

Address: A1208, Overseas Decoration Building, #122 Zhenhua RD., Futian, Shenzhen, China

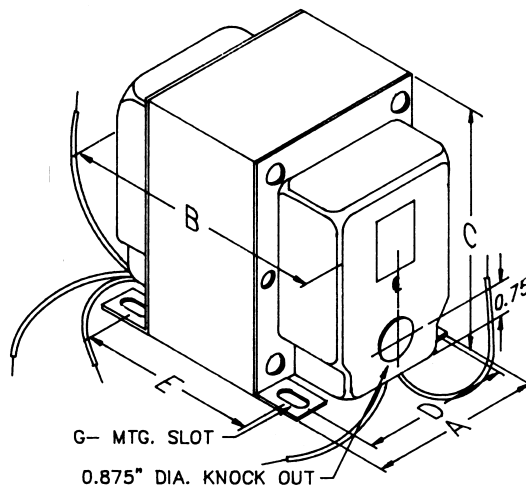


# Single Ended Audiophile - Tube Output



## SINGLE-ENDED "CLASSIC" TUBE TYPE - ULTRA-LINEAR OUTPUT TRANSFORMERS

- Over designed for single ended tube output circuits (triode, tetrode or pentode tubes).
- Enclosed (shielded), 4 slot, above chassis Type "X" mounting.
- Frequency response at least 20 Hz. to 20 KHz. at full rated power (+/- 1 db max. ref. 1 KHz.)
- Insulated flexible leads 8" min.
- 25 watt units include a 40% screen tap for Ultra-Linear operation (if desired). 75 watt unit does not include screen taps.
- High quality laminations, (M6) grain oriented silicon steel
- 75 watt model secondary, has easy hook-up taps rather than multiple winding connections.



### Dimension Table

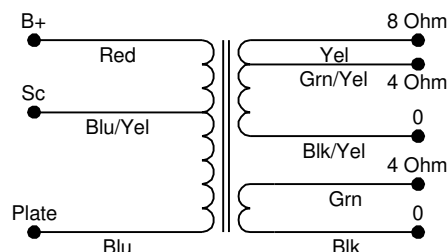
Cat. No.	A	B	C	D	E	G (slot)
X15	3.75	5.00	4.56	3.00	3.81	.203 x .38
X20	4.38	7.50	5.25	3.50	5.88	.203 x .38

Audio

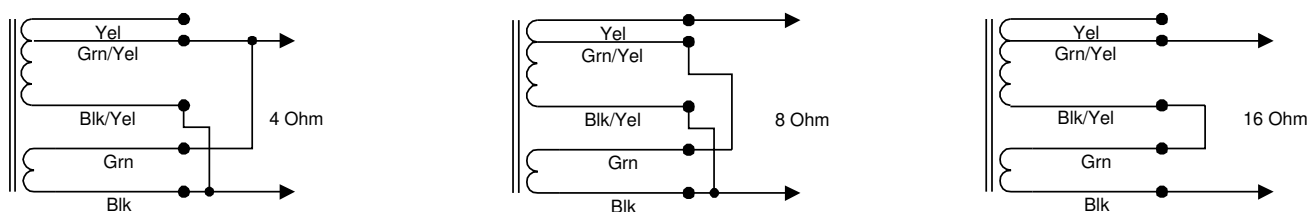
### Specifications

Cat. No.	Audio Watts	Primary Impedance	Max. DC Bias	Secondary Impedance	Wt. Lbs.	Dim. Ref.
1627SE	25	2,500	160 ma.	4-8-16	11	X15
1628SE	25	5,000	120 ma.	4-8-16	11	X15
1629SE	25	6,500	100 ma.	4-8-16	11	X15
1640SE	25	1,250	200 ma.	4-8-16	11	X15
1642SE	75	5,000	300 ma.	4-8-16	28	X20

### 25 Watt Models - Transformer Schematic



### 25 Watt Models - Secondary Connections



### Suggested Tube Types

Cat. No.	Triodes	Pentodes
1627SE	2A3, 6A3, 6B4G, 300B	6CA7, 6L6, 807, 5881, 6550, Parallel - 6AQ5, 6V6, EL84
1628SE	SV572-3, SV572-10, SV811-3, 211, 300B	6AQ5, 6V6, 6L6, 807, 5881, 6550, EL84
1629SE	SV572-30, SV572-160, SV811-10, 811A, 572B	-
1640SE	Parallel - SV811-3, 2A3, 6A3, 6B4G, 300B	Parallel - 6550, 6CA7
1642SE	SV-572-3, SV572-10, SV-572-30, SV-572-160, 845	-