



Chipsmall Limited consists of a professional team with an average of over 10 year of expertise in the distribution of electronic components. Based in Hongkong, we have already established firm and mutual-benefit business relationships with customers from,Europe,America and south Asia,supplying obsolete and hard-to-find components to meet their specific needs.

With the principle of “Quality Parts,Customers Priority,Honest Operation,and Considerate Service”,our business mainly focus on the distribution of electronic components. Line cards we deal with include Microchip,ALPS,ROHM,Xilinx,Pulse,ON,Everlight and Freescale. Main products comprise IC,Modules,Potentiometer,IC Socket,Relay,Connector.Our parts cover such applications as commercial,industrial, and automotives areas.

We are looking forward to setting up business relationship with you and hope to provide you with the best service and solution. Let us make a better world for our industry!



Contact us

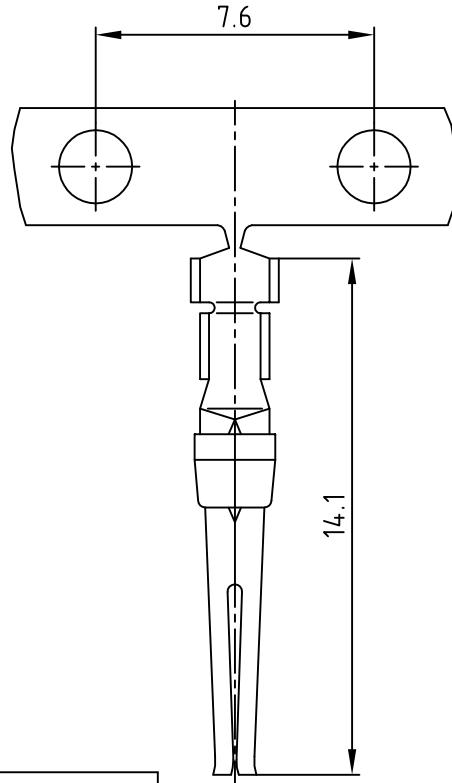
Tel: +86-755-8981 8866 Fax: +86-755-8427 6832

Email & Skype: info@chipsmall.com Web: www.chipsmall.com

Address: A1208, Overseas Decoration Building, #122 Zhenhua RD., Futian, Shenzhen, China

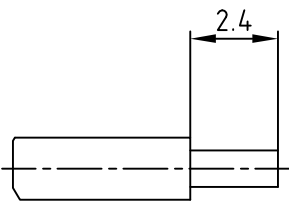


used for: D-SUB



PLATING / CONTACT AREA	PART-NO.
GOLD FLASH over NICKEL	162A11839X
20µm HARD GOLD over min. 50µm NICKEL	162B11839X
30µm HARD GOLD over min. 50µm NICKEL	162C11839X
50µm HARD GOLD over min. 50µm NICKEL	162J11839X

STRIPPING DIMENSIONS



Directive 2002/95/EC RoHS compliant

NOTES:

- Material: Phosphor Bronze
- Finish: See Table
- Temperature Range: -55°C to +125°C
- Rated Current: 7.5A
- Contact Resistance: <= 10mOhm
- Length of Reel - small reel wheeled left: 500 contacts
- Crimping: Use Crimp Tool 360X10069X

THIS DRAWING MAY NOT BE COPIED OR REPRODUCED IN ANY WAY, AND MAY NOT BE PASSED ON TO A THIRD PARTY WITHOUT WRITTEN PERMISSION.
OWNERSHIP AND COPYRIGHT OF CONEC GmbH
DO NOT ALTER CAD DRAWING BY HAND

finish: SEE TABLE			tolerance			dim. in mm	
2014	date	name					
drawn	08.04.	Lehmenkühler					
appd.	08.04.	Fischer					
norm							
d-old							
a	Original						
rev.	description	date	name				



scale:	5:1	
material:	SEE NOTES	
title:	SOCKET CONTACT CRIMP AWG 24-20 (small reel wheeled left)	
dwg no:	AutoCAD 2013	DIN-A
	16K1A3415	4
part no:	SEE TABLE	sh: 1/1