



Chipsmall Limited consists of a professional team with an average of over 10 year of expertise in the distribution of electronic components. Based in Hongkong, we have already established firm and mutual-benefit business relationships with customers from,Europe,America and south Asia,supplying obsolete and hard-to-find components to meet their specific needs.

With the principle of “Quality Parts,Customers Priority,Honest Operation,and Considerate Service”,our business mainly focus on the distribution of electronic components. Line cards we deal with include Microchip,ALPS,ROHM,Xilinx,Pulse,ON,Everlight and Freescale. Main products comprise IC,Modules,Potentiometer,IC Socket,Relay,Connector.Our parts cover such applications as commercial,industrial, and automotives areas.

We are looking forward to setting up business relationship with you and hope to provide you with the best service and solution. Let us make a better world for our industry!



## Contact us

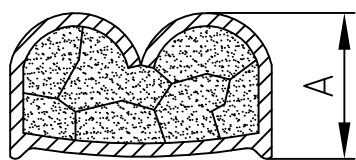
Tel: +86-755-8981 8866 Fax: +86-755-8427 6832

Email & Skype: info@chipsmall.com Web: www.chipsmall.com

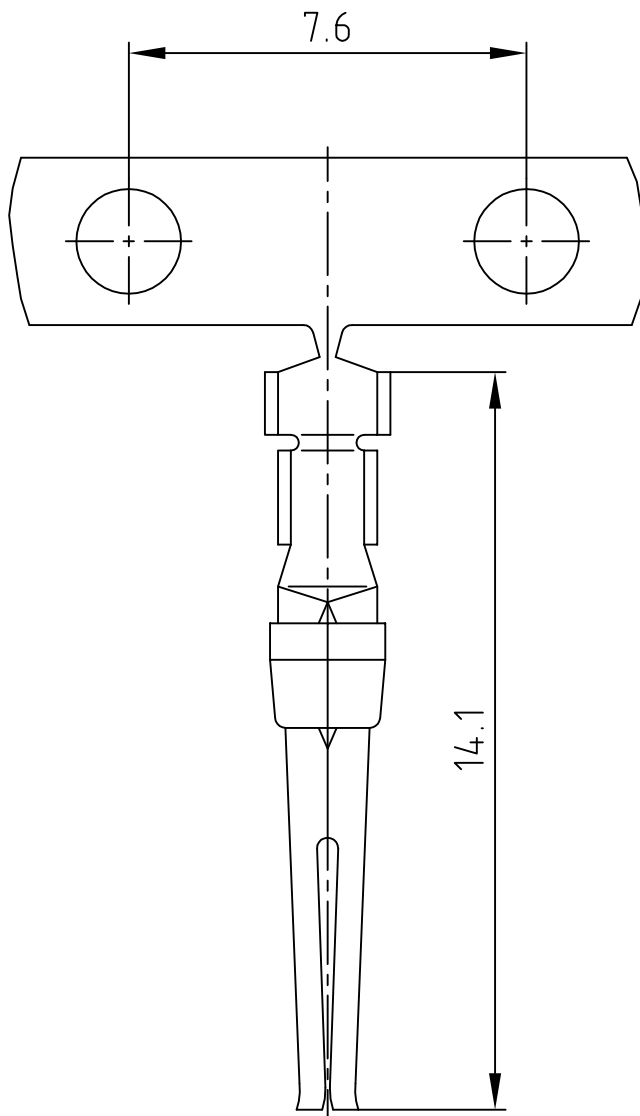
Address: A1208, Overseas Decoration Building, #122 Zhenhua RD., Futian, Shenzhen, China



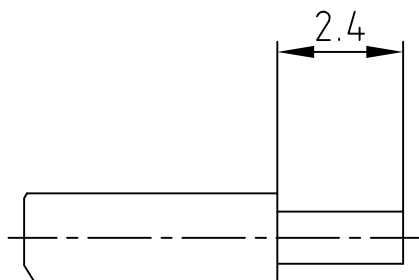
used for: D-SUB



Wire size AWG	Crimp height A
28	0,61 - 0,76
26	0,66 - 0,81
24	0,66 - 0,86



STRIPPING DIMENSIONS

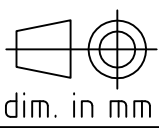



NOTES:

- (b) Material: Phosphor Bronze
- Finish: Gold Flash over Nickel in the Contact Area
- Temperature Range: -55°C to +125°C
- Rated Current: 5.0A
- Contact Resistance: <= 10mOhm
- Length of Reel-small Reel Wheeled Right: 500 Contacts
- Crimping: Use Crimp Tool 360X10079X

Directive 2002/95/EC RoHS compliant

THIS DRAWING MAY NOT BE COPIED OR REPRODUCED IN ANY WAY, AND MAY NOT BE PASSED ON TO A THIRD PARTY WITHOUT WRITTEN PERMISSION.  
 OWNERSHIP AND COPYRIGHT OF CONEC GmbH  
 DO NOT ALTER CAD DRAWING BY HAND

finish:				tolerance			 dim. in mm	scale: 5:1		
								material: SEE NOTES		
				2010	date	name		title: SOCKET CONTACT CRIMP AWG 28-24 ( small spool wheeled right )		
				drawn	03.12.	Henneboel				
				appd.	03.12.	Koch				
				norm						
				d-old						
1 x b	Ä 4116	26.09.2011	Lehmen.					dwg no: AutoCAD 2006		
a	Original							16K1A2747		DIN-A 4
rev.	description	date	name					part no: 162A11879X		sh: 1/1

4

3

2

1