



Chipsmall Limited consists of a professional team with an average of over 10 year of expertise in the distribution of electronic components. Based in Hongkong, we have already established firm and mutual-benefit business relationships with customers from,Europe,America and south Asia,supplying obsolete and hard-to-find components to meet their specific needs.

With the principle of “Quality Parts,Customers Priority,Honest Operation,and Considerate Service”,our business mainly focus on the distribution of electronic components. Line cards we deal with include Microchip,ALPS,ROHM,Xilinx,Pulse,ON,Everlight and Freescale. Main products comprise IC,Modules,Potentiometer,IC Socket,Relay,Connector.Our parts cover such applications as commercial,industrial, and automotives areas.

We are looking forward to setting up business relationship with you and hope to provide you with the best service and solution. Let us make a better world for our industry!



Contact us

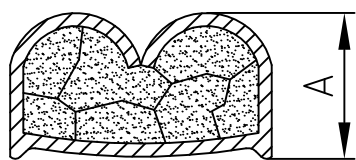
Tel: +86-755-8981 8866 Fax: +86-755-8427 6832

Email & Skype: info@chipsmall.com Web: www.chipsmall.com

Address: A1208, Overseas Decoration Building, #122 Zhenhua RD., Futian, Shenzhen, China

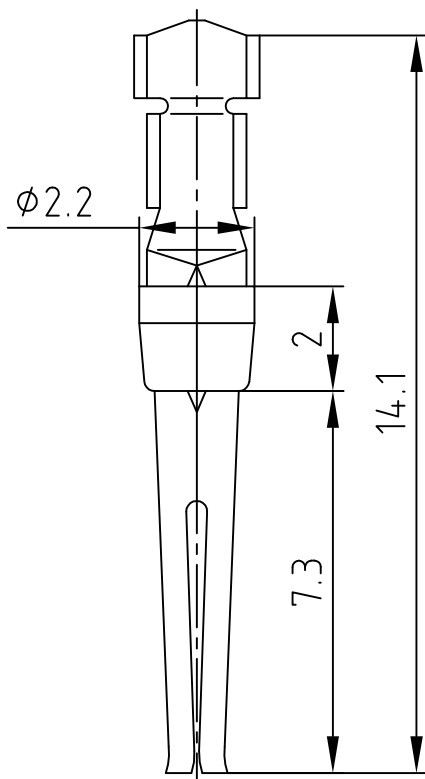


used for: D-SUB

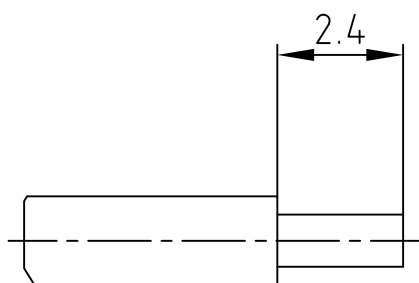


(b)

Wire size AWG	Crimp height A
28	0,61 - 0,76
26	0,66 - 0,81
24	0,66 - 0,86



STRIPPING DIMENSIONS (b)



(b) TECHNICAL DATA:

Material Stamped Contacts: Phosphor Bronze
 Finish: Gold Flash over Nickel in the Contact Area
 Temperature Range: -55°C to +125°C
 Rated Current: 7.5A
 Test Voltage: 1000V eff. at 50Hz
 Contact Resistance: <= 10mOhm
 Insulation Resistance: >= 5000MOhm
 Crimping: Use Crimp Tool 360X10079X

Directive 2002/95/EC RoHS compliant

THIS DRAWING MAY NOT BE COPIED OR REPRODUCED IN ANY WAY, AND MAY NOT BE PASSED ON TO A THIRD PARTY WITHOUT WRITTEN PERMISSION.
 OWNERSHIP AND COPYRIGHT OF CONEC GmbH
 DO NOT ALTER CAD DRAWING BY HAND

				tolerance				scale: 5:1	
				2002	date	name		material: SEE NOTES	
				drawn	22.02.	Parei		title: SOCKET CONTACT CRIMP AWG 28-24	
				appd.	22.02.	E. Mickenbecker			
				norm					
				d-old					
3 x b	Ä 4116	27.09.2011	Lehmen.			dwg no: AutoCAD 2006		DIN-A 4	
a	Original					16K1A500		sh: 1/1	
rev.	description	date	name			part no: 162A11889X			

4

3

2

1