



Chipsmall Limited consists of a professional team with an average of over 10 year of expertise in the distribution of electronic components. Based in Hongkong, we have already established firm and mutual-benefit business relationships with customers from,Europe,America and south Asia,supplying obsolete and hard-to-find components to meet their specific needs.

With the principle of “Quality Parts,Customers Priority,Honest Operation,and Considerate Service”,our business mainly focus on the distribution of electronic components. Line cards we deal with include Microchip,ALPS,ROHM,Xilinx,Pulse,ON,Everlight and Freescale. Main products comprise IC,Modules,Potentiometer,IC Socket,Relay,Connector.Our parts cover such applications as commercial,industrial, and automotives areas.

We are looking forward to setting up business relationship with you and hope to provide you with the best service and solution. Let us make a better world for our industry!



Contact us

Tel: +86-755-8981 8866 Fax: +86-755-8427 6832

Email & Skype: info@chipsmall.com Web: www.chipsmall.com

Address: A1208, Overseas Decoration Building, #122 Zhenhua RD., Futian, Shenzhen, China



4

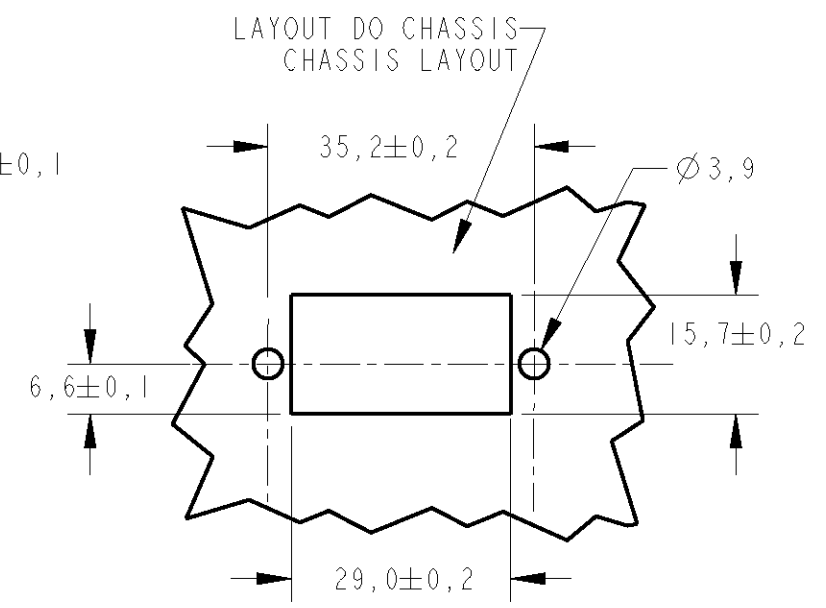
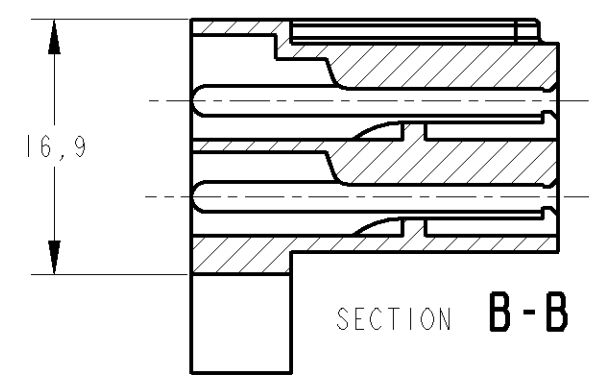
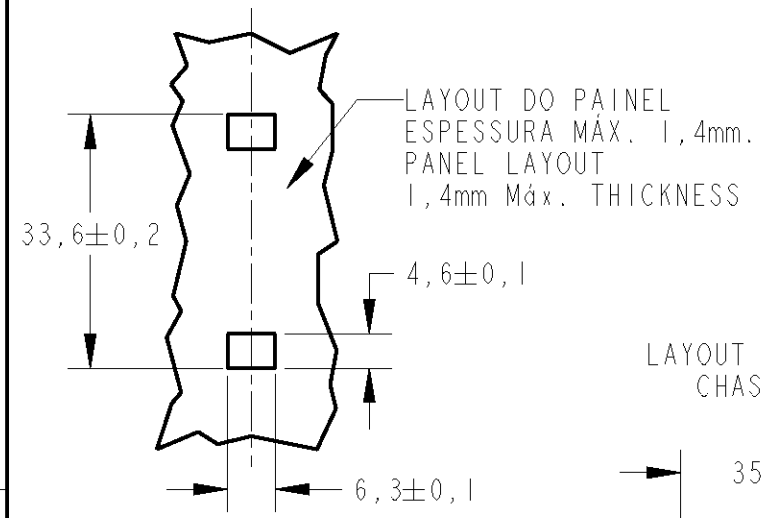
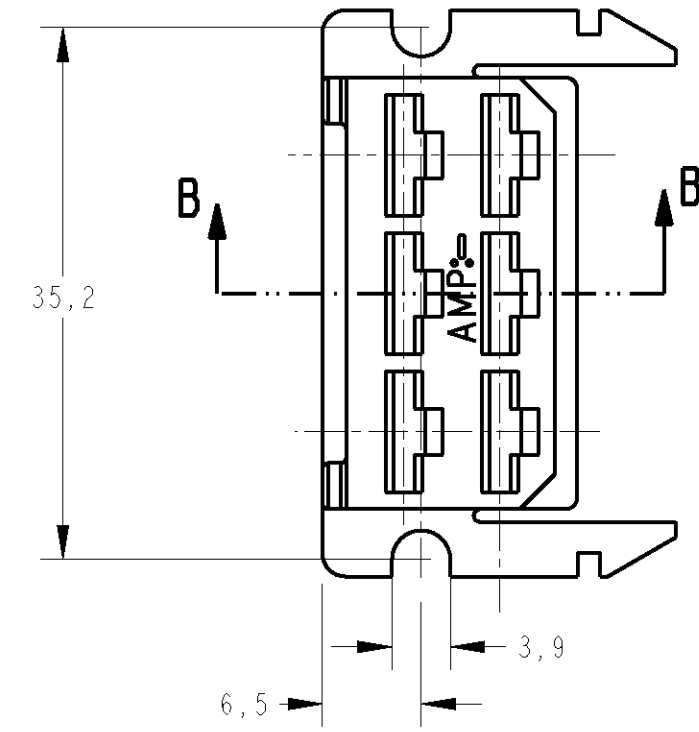
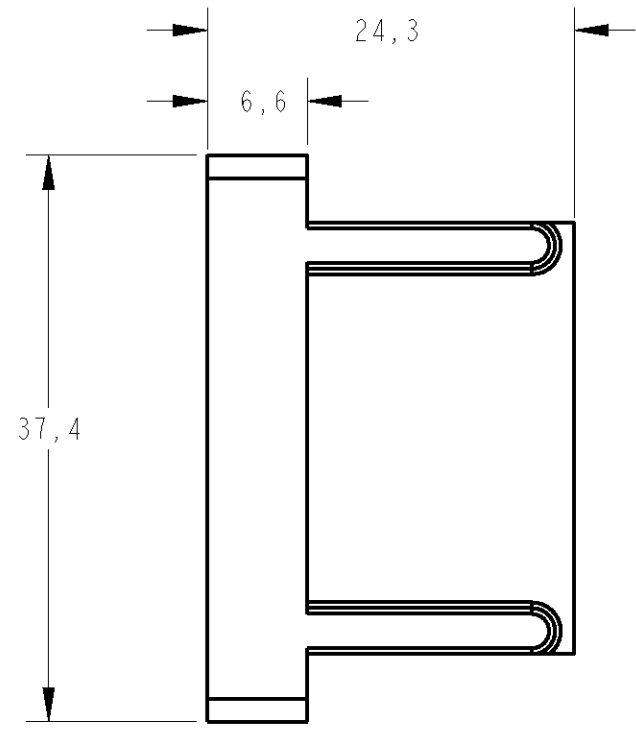
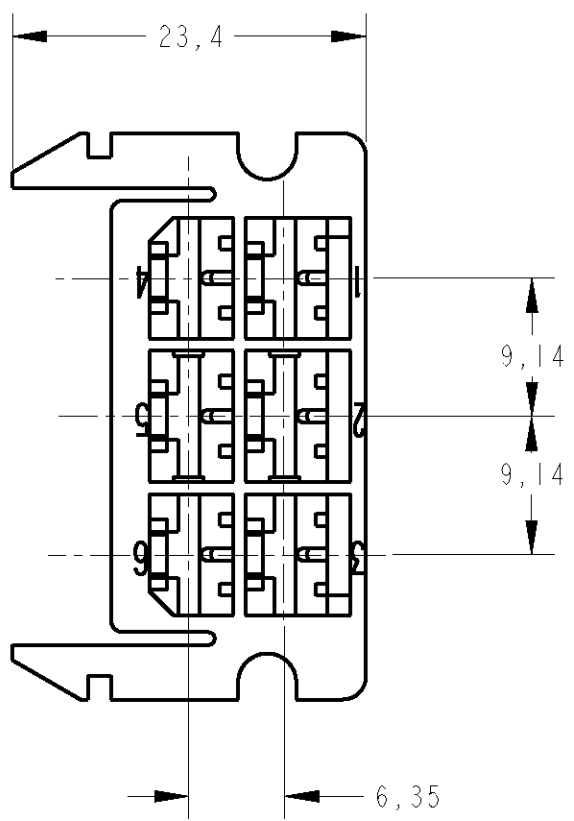
3

2

1

THIS DRAWING IS UNPUBLISHED. RELEASED FOR PUBLICATION
 © COPYRIGHT 19 BY TYCO ELECTRONICS CORPORATION. ALL RIGHTS RESERVED.

LOC	DIST	REVISIONS				
P	LTR	DESCRIPTION	DATE	DWN	APVD	
AP	-	F	REDRAW BY ECO-06-026171	31JAN07	H.C	WLS
-	-	-	-	-	-	-
-	-	-	-	-	-	-
-	-	-	-	-	-	-



△ -MATERIA-PRIMA CONFORME IEC 60335-1 GWT 750°C SEM CHAMA.
 RAW MATERIAL ACC. TO IEC 60335-1 GWT 750°C WITHOUT FLAME.

	NATURAL	PA 6.6 △	1-163006-0
OBSOLETE	LARANJA/ORANGE	PA 6.6	163006-0
OBSOLETE	VIOLETA/VIOLET	PA 6.6	163006-8
OBSOLETE	CINZA/GREY	PA 6.6	163006-7
OBSOLETE	MARROM/BROWN	PA 6.6	163006-6
OBSOLETE	PRETO/BLACK	PA 6.6	163006-5
OBSOLETE	AMARELO/YELLOW	PA 6.6	163006-4
OBSOLETE	AZUL/BLUE	PA 6.6	163006-3
OBSOLETE	VERDE/GREEN	PA 6.6	163006-2
	VERMELHO/RED	PA 6.6	163006-1
	NATURAL	PA 6.6	163006-0
	FINISH	MATERIAL	PART NUMBER

THIS DRAWING IS A CONTROLLED DOCUMENT FOR TYCO ELECTRONICS CORPORATION
 IT IS SUBJECT TO CHANGE AND THE CONTROLLING ENGINEERING ORGANIZATION
 SHOULD BE CONTACTED FOR THE LATEST REVISION.

DIMENSIONS:	TOLERANCES UNLESS OTHERWISE SPECIFIED:
mm	
0 PLC	± -
1 PLC	± 0,3
2 PLC	± 0,3
3 PLC	± -
4 PLC	± -
ANGLES	± -
MATERIAL	FINISH
-	-

DWN	H.C. CANTERI	60CT2006		Tyco Electronics do Brasil - LTDA	
CHK	W.L. STEFANI	60CT2006		São Paulo - Brasil	
APVD	-	-	NAME		
PRODUCT SPEC	6 WAY FAST-IN-ON REC. HSG.				
APPLICATION SPEC	-				
WEIGHT	-	SIZE	A3	CAGE CODE	-
CUSTOMER DRAWING	-	DRAWING NO	©-163006	RESTRICTED TO	-
SCALE		SHEET		OF	REV
1/1		1		1	F