



Chipsmall Limited consists of a professional team with an average of over 10 year of expertise in the distribution of electronic components. Based in Hongkong, we have already established firm and mutual-benefit business relationships with customers from,Europe,America and south Asia,supplying obsolete and hard-to-find components to meet their specific needs.

With the principle of “Quality Parts,Customers Priority,Honest Operation,and Considerate Service”,our business mainly focus on the distribution of electronic components. Line cards we deal with include Microchip,ALPS,ROHM,Xilinx,Pulse,ON,Everlight and Freescale. Main products comprise IC,Modules,Potentiometer,IC Socket,Relay,Connector.Our parts cover such applications as commercial,industrial, and automotives areas.

We are looking forward to setting up business relationship with you and hope to provide you with the best service and solution. Let us make a better world for our industry!



## Contact us

Tel: +86-755-8981 8866 Fax: +86-755-8427 6832

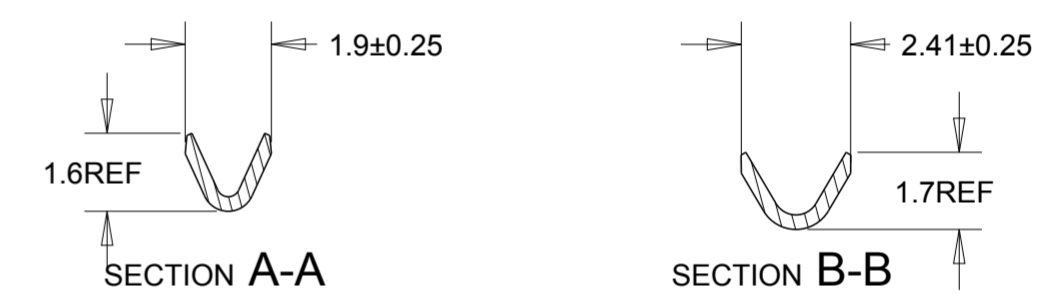
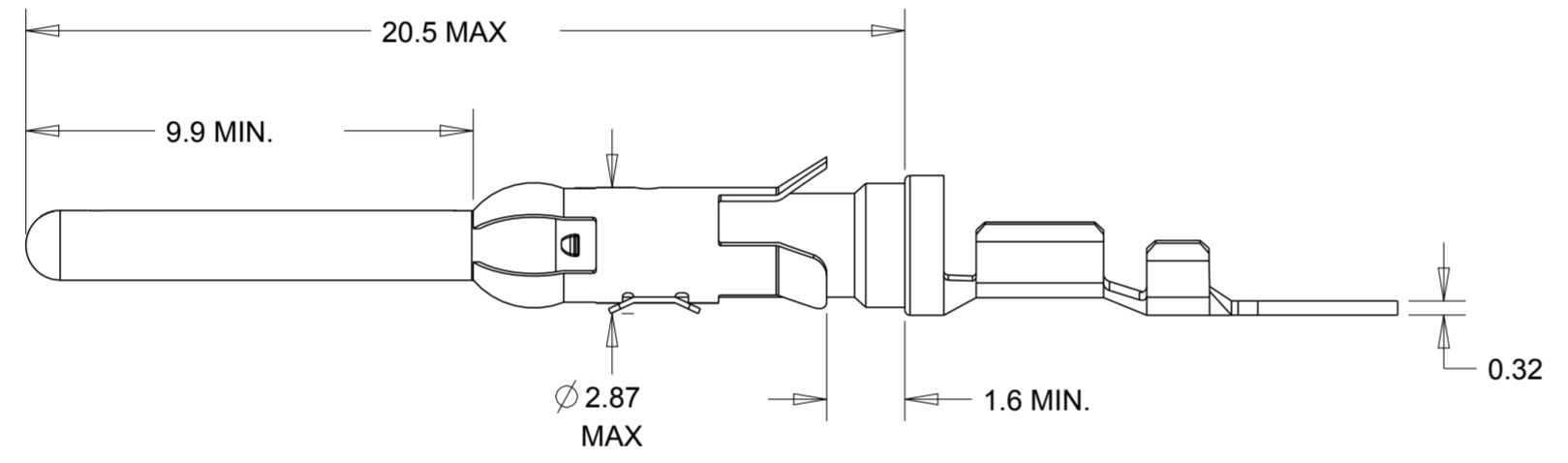
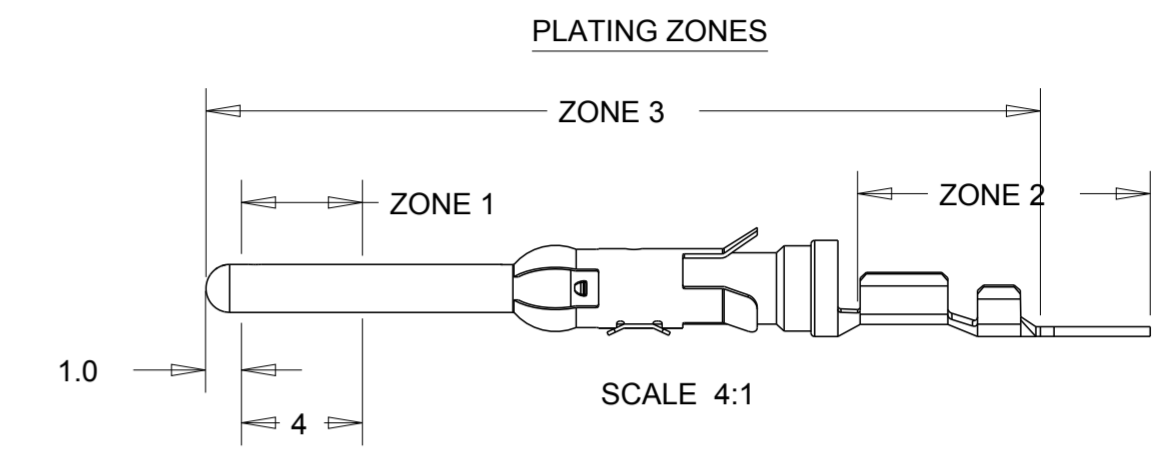
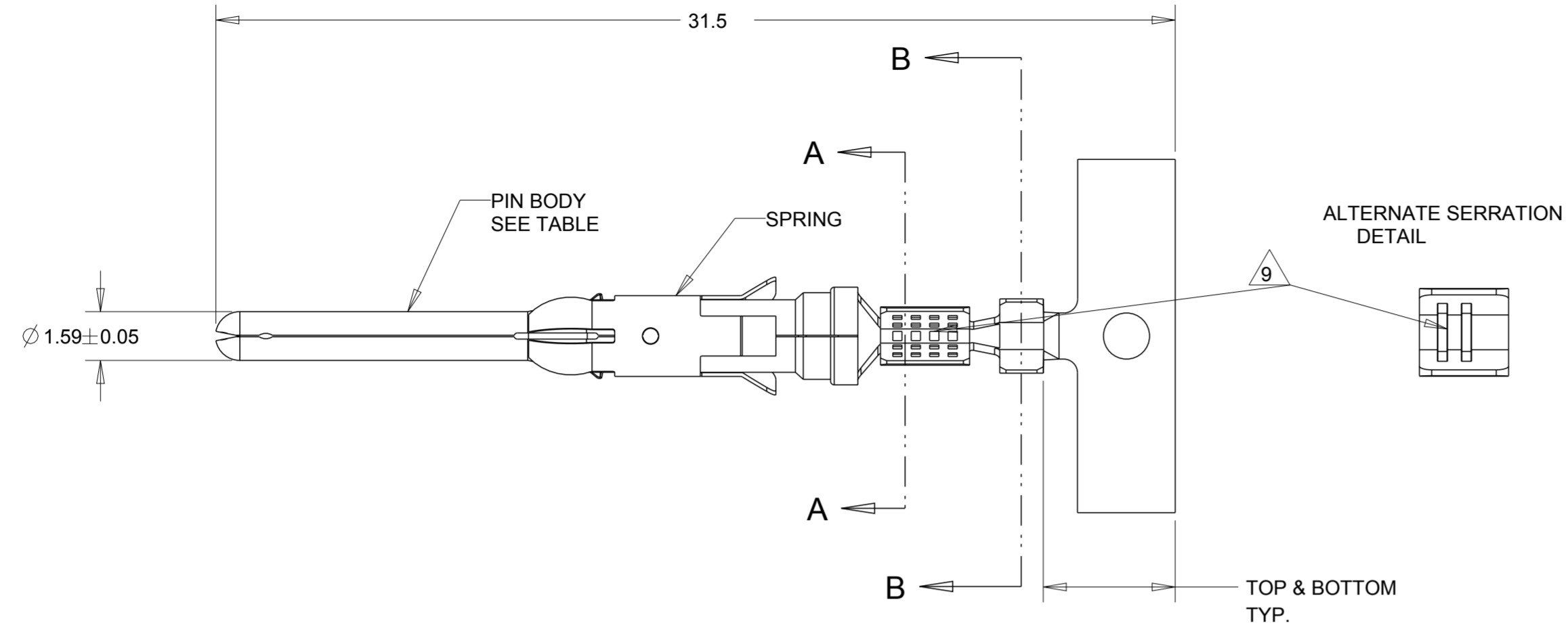
Email & Skype: info@chipsmall.com Web: www.chipsmall.com

Address: A1208, Overseas Decoration Building, #122 Zhenhua RD., Futian, Shenzhen, China

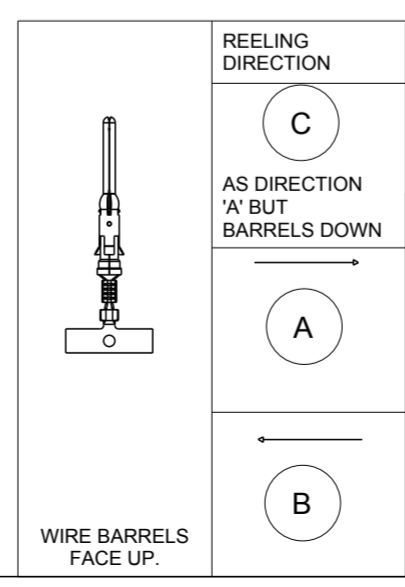


THIS DRAWING IS UNPUBLISHED. RELEASED FOR PUBLICATION 2011  
 © COPYRIGHT 2011 ALL RIGHTS RESERVED.

LOC	DIST	REVISIONS			
P	LTR	DESCRIPTION	DATE	DWN	APVD
B	-	AA	ECR-12-010700	11/06/12	MJG DP



- 1 1.27 MICRON MIN NICKEL PLATE OVER ZONE 3.  
0.76 MICRON MIN PRECIOUS METAL PLATE OVER ZONE 1.  
1 MICRON MIN TIN PLATE OVER ZONE 2.  
(CONFORMS TO THE REQUIREMENTS OF TE CONNECTIVITY PRODUCT SPEC 108-10042  
BASED ON EIA/ECA-364-1000.01A (CONTROLLED ENVIRONMENT APPLICATIONS))
- 2 1.27 MICRON MIN NICKEL PLATE OVER ZONE 3.  
0.76 MICRON MIN PRECIOUS METAL PLATE OVER ZONE 1.  
0.076 MICRON MIN GOLD FLASH PLATE OVER THE REMAINDER OF ZONE 3.  
(CONFORMS TO THE REQUIREMENTS OF TE CONNECTIVITY PRODUCT SPEC 108-10042  
BASED ON EIA/ECA-364-1000.01A (CONTROLLED ENVIRONMENT APPLICATIONS))
- 3 1.54 - 2.54 MICRON SILVER PLATE OVER ZONE 3.
- 4 1.27 MICRONS MIN NICKEL PLATE OVER ZONE 3.  
0.76 MICRON MIN GOLD PLATE OVER ZONE 1.  
0.076 MICRON MIN GOLDFLASH PLATE OVER THE REMAINDER OF ZONE 3.
- 5 1.27 MICRONS MIN NICKEL PLATE OVER ZONE 3.  
0.76 MICRONS MIN GOLD PLATE OVER ZONE 1.  
1 MICRON MIN TIN PLATE OVER ZONE 2.
- 6 HOT-DIPPED PRETIN
- 7 1 - 3 MICRONS ELECTRO-TIN PLATE OVER ZONE 3
- 8 0.76 MICRONS MIN NICKEL PLATE OVER ZONE 3 PER QQ-N-290  
1.5 - 2.54 MICRONS SILVER PLATE OVER ZONE 3,
- 9 SERRATIONS CAN BE MULTILOCK OR TWO SLOTS
- 10. WIRE RANGE: 0.12-0.20 mm<sup>2</sup> (26-24 AWG)
- 11. INSULATION RANGE: 0.9-1.4 mm (.035-.055) DIA
- 12 SPECIAL REEL WITH 200 PCS FOR REEL-FED HANDTOOL
- 13 LUBRICATE



THIS DRAWING IS A CONTROLLED DOCUMENT.

DIMENSIONS: mm

TOLERANCES UNLESS OTHERWISE SPECIFIED:  
 0 PLC ±0.5  
 1 PLC ±0.25  
 2 PLC ±0.15  
 3 PLC ±0.15  
 4 PLC ±

ANGLES ±2

FINISH

MATERIAL SEE ABOVE.

REELING	FINISH	SPRING MATERIAL	PIN BODY	LOOSE PIECE	PART NUMBER
A	13	7	STAINLESS STEEL	BRASS	1-163089-3
A	1	7	STAINLESS STEEL	BRASS	1-163089-1
B	1	7	STAINLESS STEEL	BRASS	1-163090-0
A	7	7	STAINLESS STEEL	BRASS	163090-1
A	2	7	STAINLESS STEEL	BRASS	163090-2
B	7	7	STAINLESS STEEL	BRASS	163089-1

DWN	J.BRIGHT	26/03/12	TE Connectivity	
CHK	M.GREENER	26/03/12		
APVD	D.PENNINGTON	26/03/12		
PRODUCT SPEC	-	-		
APPLICATION SPEC	-	-	NAME	STRIP ASSY PIN TYPE III CONTACT
WEIGHT	-	-	SIZE	A200779
CUSTOMER DRAWING	-	-	CAGE CODE	163089
			DRAWING NO	163089
			RESTRICTED TO	-
			SCALE	NTS
			SHEET	1 OF 1
			REV	AA