



Chipsmall Limited consists of a professional team with an average of over 10 year of expertise in the distribution of electronic components. Based in Hongkong, we have already established firm and mutual-benefit business relationships with customers from,Europe,America and south Asia,supplying obsolete and hard-to-find components to meet their specific needs.

With the principle of “Quality Parts,Customers Priority,Honest Operation,and Considerate Service”,our business mainly focus on the distribution of electronic components. Line cards we deal with include Microchip,ALPS,ROHM,Xilinx,Pulse,ON,Everlight and Freescale. Main products comprise IC,Modules,Potentiometer,IC Socket,Relay,Connector.Our parts cover such applications as commercial,industrial, and automotives areas.

We are looking forward to setting up business relationship with you and hope to provide you with the best service and solution. Let us make a better world for our industry!



Contact us

Tel: +86-755-8981 8866 Fax: +86-755-8427 6832

Email & Skype: info@chipsmall.com Web: www.chipsmall.com

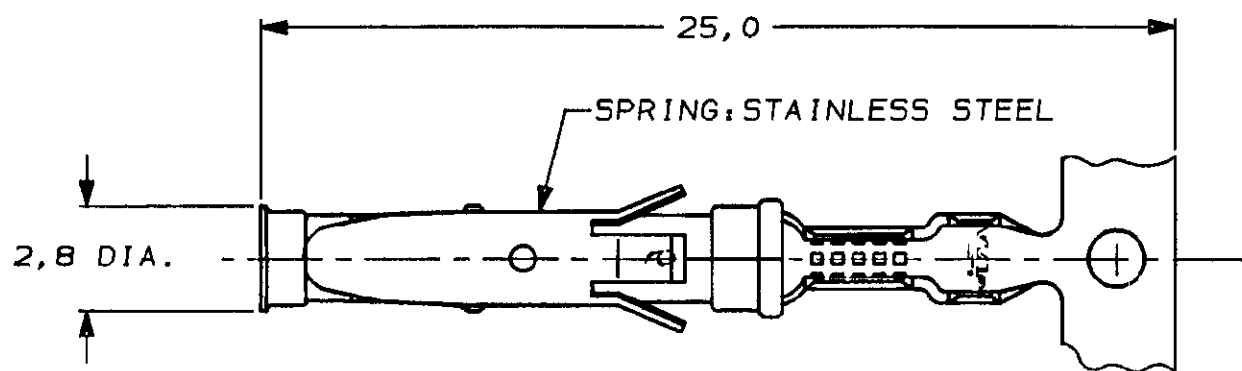
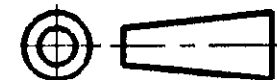
Address: A1208, Overseas Decoration Building, #122 Zhenhua RD., Futian, Shenzhen, China



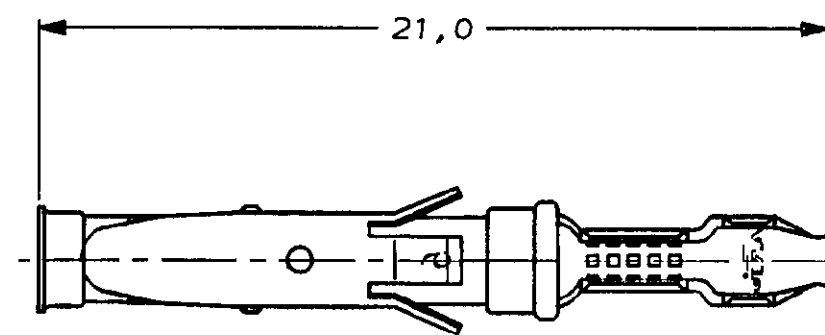
DO NOT SCALE
DIMENSIONS IN mm

METRIC

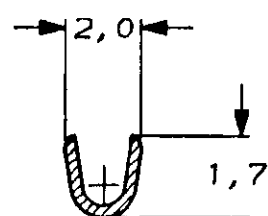
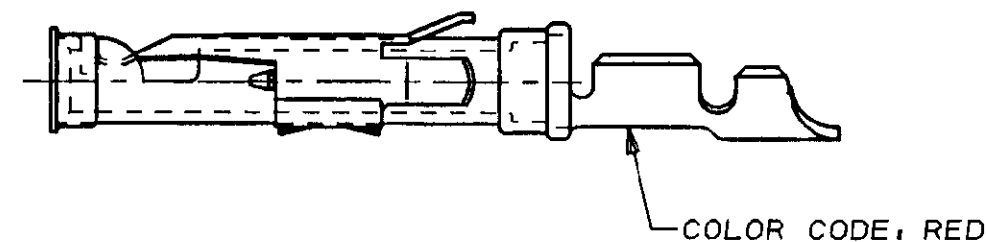
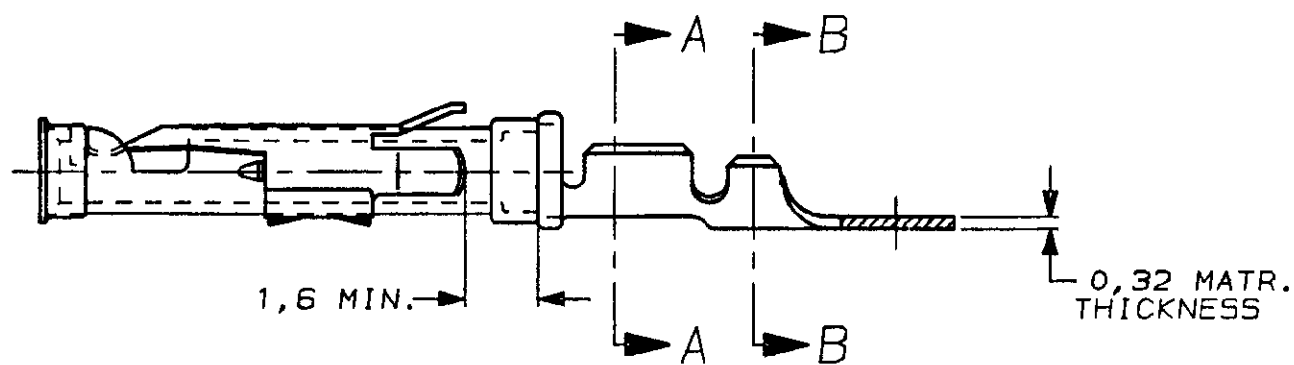
THIRD ANGLE
PROJECTION



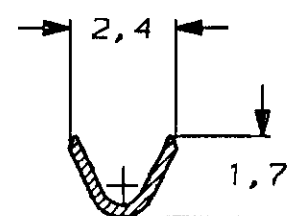
STRIP



LOOSE-PIECE



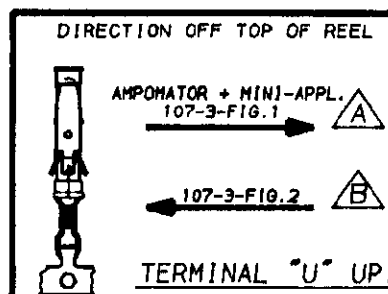
SECTION A-A



SECTION B-B

WIRE RANGE : 0,12-0,20 mm² (26-24 AWG)
INSUL. RANGE : 0,9 -1,4 mm (.035-.055)

DOC. CONTROL
09 SEP 1987



PARTNUMBER	DIRECTION OF REEL	LOOSE-PIECE	MATERIAL	PLATING
1-163091-3	A	1-163092-3	BRASS	EL. TIN
1-163091-2 4	A	1-163092-2	BRASS	BR. TIN/LEAD
1-163091-1	A		BRASS	ECON. GOLD
1-163091-0	B	1-163092-0	BRASS	ECON. GOLD
163091-9	A		BRASS	EL. TIN
163091-8	A		BRASS	SEL. GOLD
4 163091-2 1	B	163092-2	BRASS	SEL. GOLD
163091-1 1	B	163092-1	BRASS	EL. TIN

- NOTES :
- 1 U.L. RECONIZED UNDER FILE E28476 VOL. VI SEC. I.
 - 2 FOR CRIMPDETAILS SEE AMP-SPEC. 114-19.000.
 - 3 MEETS PRODUCTSPECIFICATION 108-10042.
 - 4 OBSOLETE PARTS: OBSOLETE CIS STREAMLINING PER D.RENAUD/D.SINISI
 - 5 OBSOLETE

NOTES	MATERIAL	THICKNESS	AREA
20	TIN	2,0 μm	ALL OVER
21	NICKEL GOLD TIN/LEAD	0,8 μm	ALL OVER CONTACT AREA BARREL
22	NICKEL GOLD GOLD	0,8 μm	ALL OVER CONTACT AREA ALL OVER
23	NICKEL GOLD GOLD	1,2 μm	ALL OVER CONTACT AREA ALL OVER
24	NICKEL SILVER TIN/LEAD	2,5 μm	ALL OVER CONTACT AREA BARREL
25	SILVER	0,5 μm	ALL OVER
26	SILVER	2,5 μm	ALL OVER
27	NICKEL TIN/LEAD	1,27 μm	ALL OVER
28	NICKEL TIN/LEAD	1,27 μm	ALL OVER
29	LUBRICATED		

Y2	REVISED PER ECO-11-005140	RK	HMR	31MAR11
LTR.	REVISION RECORD	DR.	CHK.	DATE
DR. : L.V.D.HEIJDEN.	CHK. : P.V.D.HAGEN.	APP. : L.V.SOEST	DWG. No. C-163091	
DATE: 19-08-87	DATE: 20-08-87	DATE: 20-08-87	REV. LTR. Y2	SHEET 1 OF 1

CUSTOMER DRAWING FOR REFERENCE ONLY WILL NOT BE UPDATED

THIS DRAWING IS UNPUBLISHED
RELEASED FOR PUBLICATION

STE TE Connectivity

NAME SOCKET TYPE III CONTACT SIZE 16.

REV. LTR. Y2 SHEET 1 OF 1