



Chipsmall Limited consists of a professional team with an average of over 10 year of expertise in the distribution of electronic components. Based in Hongkong, we have already established firm and mutual-benefit business relationships with customers from,Europe,America and south Asia,supplying obsolete and hard-to-find components to meet their specific needs.

With the principle of “Quality Parts,Customers Priority,Honest Operation,and Considerate Service”,our business mainly focus on the distribution of electronic components. Line cards we deal with include Microchip,ALPS,ROHM,Xilinx,Pulse,ON,Everlight and Freescale. Main products comprise IC,Modules,Potentiometer,IC Socket,Relay,Connector.Our parts cover such applications as commercial,industrial, and automotives areas.

We are looking forward to setting up business relationship with you and hope to provide you with the best service and solution. Let us make a better world for our industry!



Contact us

Tel: +86-755-8981 8866 Fax: +86-755-8427 6832

Email & Skype: info@chipsmall.com Web: www.chipsmall.com

Address: A1208, Overseas Decoration Building, #122 Zhenhua RD., Futian, Shenzhen, China



THIS DRAWING IS UNPUBLISHED. RELEASED FOR PUBLICATION
 © COPYRIGHT - By - ALL RIGHTS RESERVED.

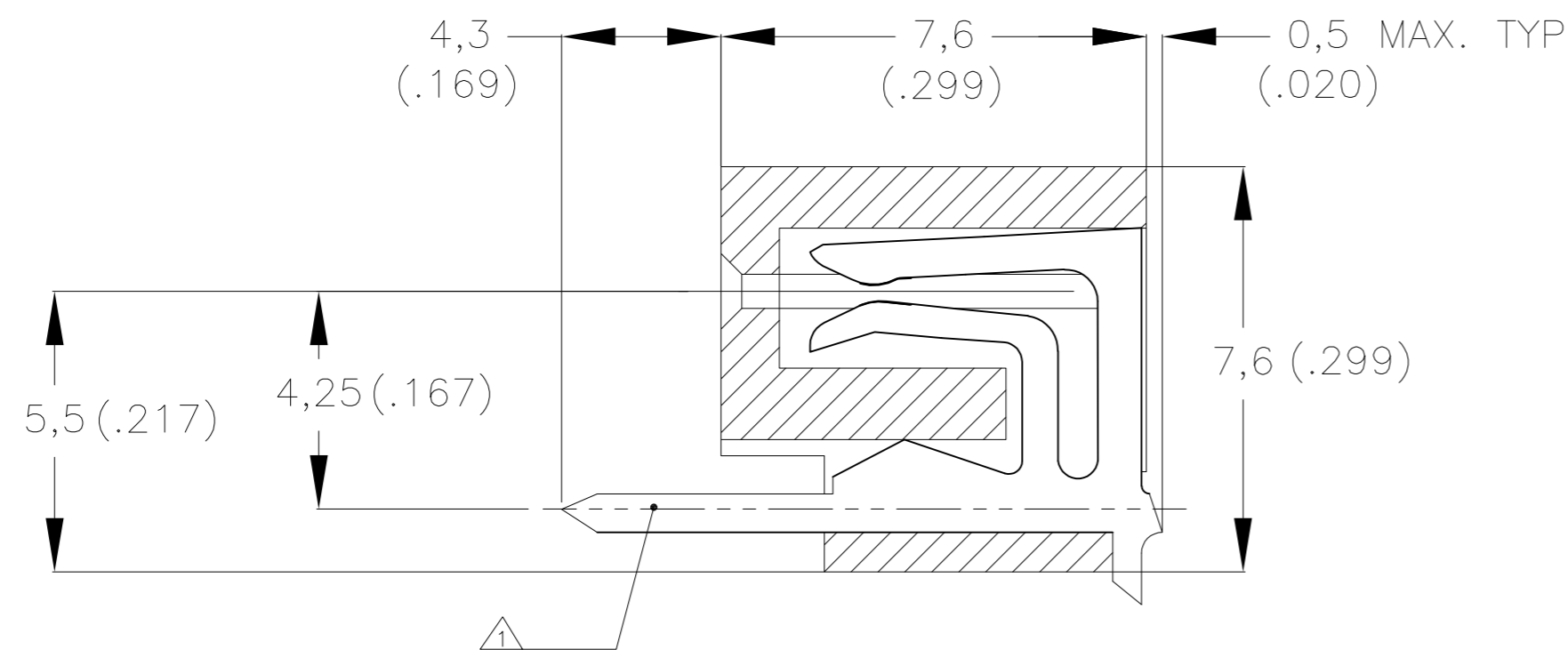
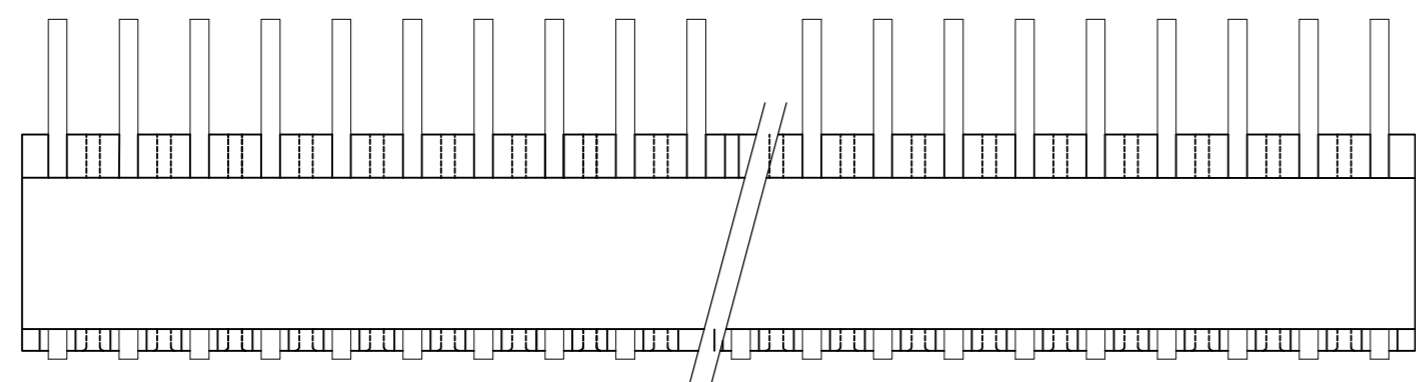
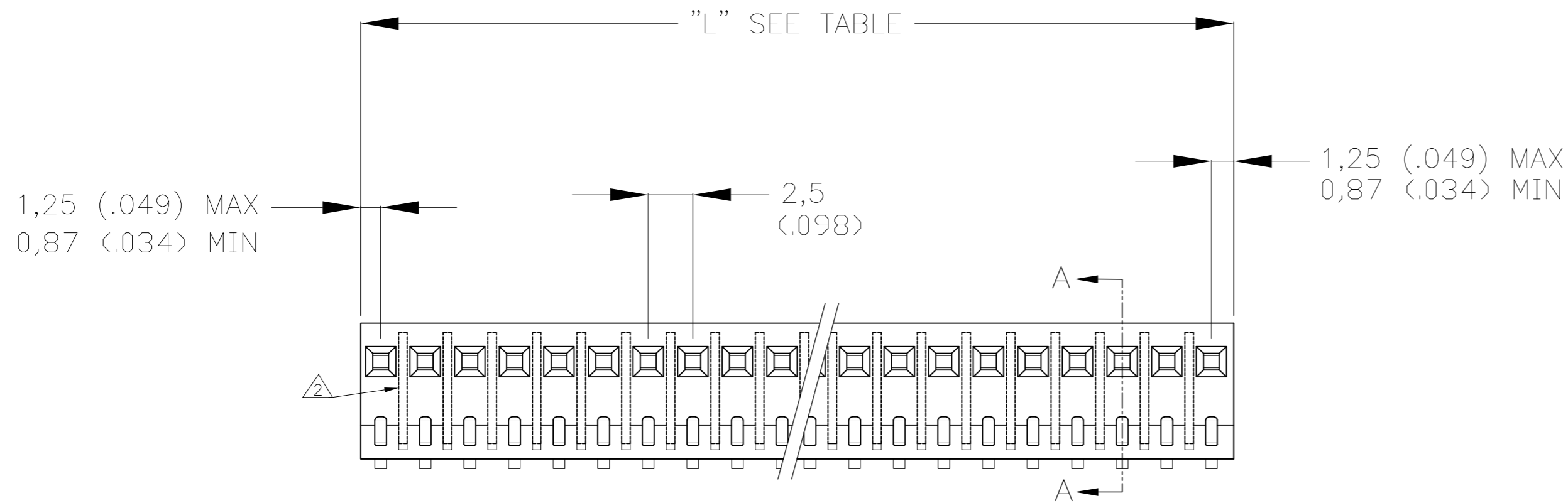
| LOC | | DIST | | REVISIONS | | | |
|-----|-----|-------------|---|-----------|------|----|--|
| P | LTR | DESCRIPTION | DATE | DWN | APVD | | |
| H | - | E | HOUSING MATERIAL CHANGED TO CRASTIN SK643FR | 25APR2013 | SMT | RP | |

D

C

B

A



NOTES:

- 1. PREFERRED HOLE SIZE: 0,8 (+0,1/-0,0) (.031) 0,9 (+0,1/-0,0) (.035) 1,0 (+0,1/-0,0) (.039) DEPENDING ON NUMBER OF POSITIONS OF CONNECTOR FOR MORE INFORMATION PLEASE CONTACT PRODUT-ENGINEERING DEPARTMENT.
- 2. VERSIONS WITH OR WITHOUT SLOTS BETWEEN CAVITIES CAN BE USED INDIFFERENTLY
- 3. OBSOLETE

| "L" MAX | | NUMBER OF LOADED POS. | ORDER NO. |
|---------|----------|-----------------------|-------------------------|
| mm | (inches) | | |
| 7,6 | 0,300 | 3 | 163681-1 |
| 10,1 | 0,398 | 4 | 163681-2 |
| 12,6 | 0,497 | 5 | 163681-3 3 |
| 15,1 | 0,595 | 6 | 163681-4 3 |
| 17,6 | 0,694 | 7 | 163681-5 |
| 20,1 | 0,792 | 8 | 163681-6 |
| 22,6 | 0,890 | 9 | 163681-7 3 |
| 25,1 | 0,989 | 1 | 163681-8 3 |
| 27,6 | 1,087 | 11 | 163681-9 |
| 30,1 | 1,186 | 12 | 163681-1 3 |
| 32,6 | 1,284 | 13 | 163681-2 3 |
| 35,1 | 1,382 | 14 | 163681-3 3 |
| 37,6 | 1,481 | 15 | 163681-4 3 |
| 40,1 | 1,579 | 16 | 163681-5 3 |
| 42,6 | 1,678 | 17 | 163681-6 3 |
| 45,1 | 1,776 | 18 | 163681-7 3 |
| 47,6 | 1,875 | 19 | 163681-8 3 |
| 50,1 | 1,973 | 20 | 1-163681-9 |
| 52,6 | 2,071 | 21 | 2-163681-0 |
| 55,1 | 2,170 | 22 | 2-163681-1 |
| 57,6 | 2,268 | 23 | 2-163681-2 |
| 60,1 | 2,367 | 24 | 2-163681-3 3 |

163681

MATERIAL: HOUSING: GRAY CRASTIN SK643FR
 RECEPTACLES: BRASS: TIN PLATED OVER NICKEL-BARRIER

| | | | | |
|--|--|------------------|---|---------------|
| THIS DRAWING IS A CONTROLLED DOCUMENT. | | DWN 16-03-1973 | STE TE Connectivity | |
| | | CHK 19-03-1973 | | |
| DIMENSIONS: mm [INCHES] | TOLERANCES UNLESS OTHERWISE SPECIFIED: | APVD - | NAME | |
| | 0 PLC ± - | PRODUCT SPEC | FEMALE CONN.FOR COMMERCIAL INTERCONNECTION SYSTEM 2,5mm PITCH. BOTTOM ENTRY | |
| | 1 PLC ± - | APPLICATION SPEC | SIZE | CAGE CODE |
| | 2 PLC ± - | | A2 | 00779 |
| | 3 PLC ± - | | DRAWING NO | RESTRICTED TO |
| | 4 PLC ± - | | C=163681 | - |
| | ANGLES ± - | | SCALE | SHEET |
| MATERIAL SEE TABLE | FINISH - | WEIGHT - | 4:1 | 1 of 1 |
| | | CUSTOMER DRAWING | REV | E |