



Chipsmall Limited consists of a professional team with an average of over 10 year of expertise in the distribution of electronic components. Based in Hongkong, we have already established firm and mutual-benefit business relationships with customers from,Europe,America and south Asia,supplying obsolete and hard-to-find components to meet their specific needs.

With the principle of “Quality Parts,Customers Priority,Honest Operation,and Considerate Service”,our business mainly focus on the distribution of electronic components. Line cards we deal with include Microchip,ALPS,ROHM,Xilinx,Pulse,ON,Everlight and Freescale. Main products comprise IC,Modules,Potentiometer,IC Socket,Relay,Connector.Our parts cover such applications as commercial,industrial, and automotives areas.

We are looking forward to setting up business relationship with you and hope to provide you with the best service and solution. Let us make a better world for our industry!



Contact us

Tel: +86-755-8981 8866 Fax: +86-755-8427 6832

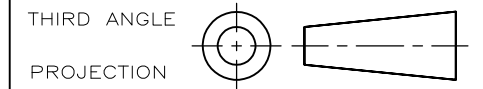
Email & Skype: info@chipsmall.com Web: www.chipsmall.com

Address: A1208, Overseas Decoration Building, #122 Zhenhua RD., Futian, Shenzhen, China

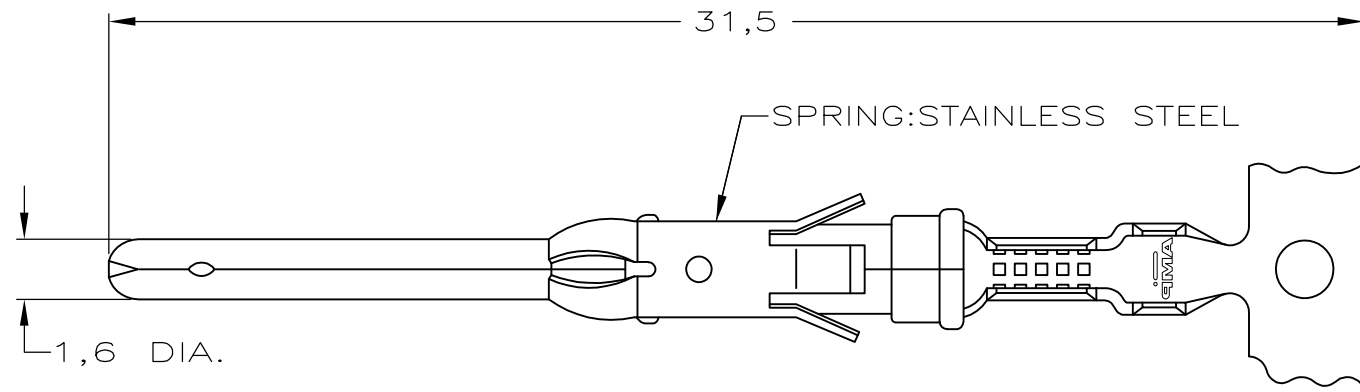


DO NOT SCALE
DIMENSIONS IN mm

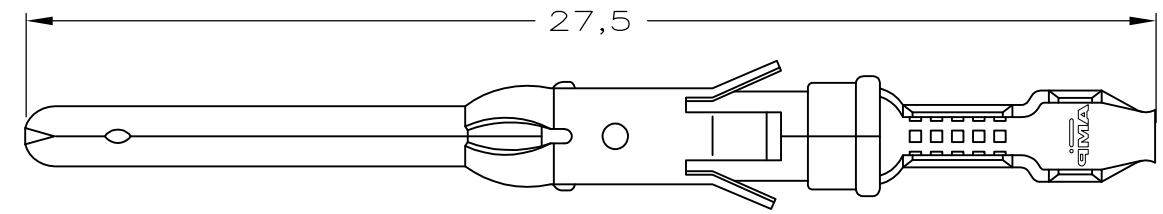
METRIC



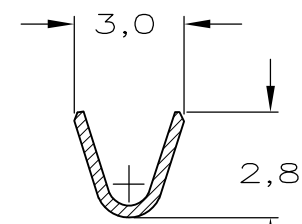
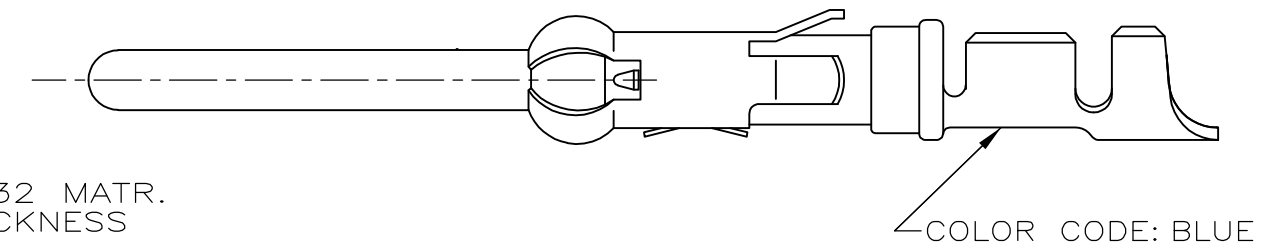
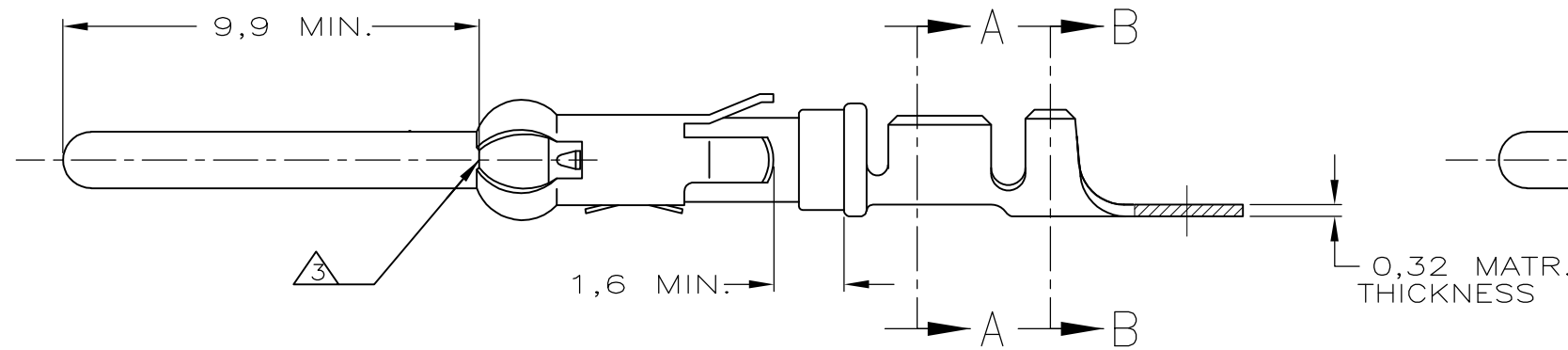
| REVISIONS | | | | | |
|-----------|-----|---------------------------|---------|-----|------|
| P | LTR | DESCRIPTION | DATE | DWN | APVD |
| | G1 | REVISED PER ECO-09-020689 | 24AUG09 | KK | AEG |



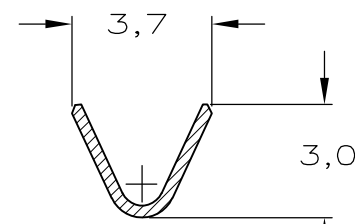
STRIP



LOOSE-PIECE



SECTION A-A

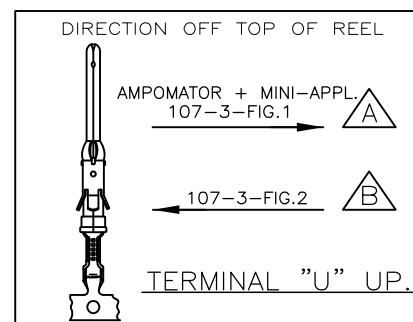


SECTION B-B

WIRE RANGE : 0,75-1,50 mm² (18-16 AWG)
INSUL. RANGE : 2,0 -2,5 mm (.080-.100)

NOTES :

- FOR CRIMPDETAILS SEE AMP-SPEC. 114-19.000 .
- MEETS PRODUCTSPECIFICATION 108-10042.
- 0,40 MAX. GAP BETWEEN SPRING-NOSE AND CONTACT BODY.
- OBsolete PARTS: OBSOLETE CIS STREAMLINING PER D.RENAUD/D.SINISI



| PARTNUMBER | DIRECTION OF REEL | LOOSE-PIECE | MATERIAL | PLATING |
|------------|-------------------|-------------|-----------|-----------|
| 163766-5 | A | | PH.BRONZE | EL.TIN |
| 163766-4 | A | 164839-4 | PH.BRONZE | ECON.GOLD |
| 163766-3 | A | 164839-3 | PH.BRONZE | SILVER |
| 163766-2 | A | 164839-2 | PH.BRONZE | SEL.GOLD |
| 163766-1 | A | 164839-1 | PH.BRONZE | EL.TIN |

CUSTOMER DRAWING
FOR REFERENCE ONLY
WILL NOT BE UPDATED

AMP AMP-HOLLAND B.V.
's-Hertogenbosch, The Netherlands.
THIS DRAWING IS UNPUBLISHED RELEASED FOR PUBLICATION AUG. ,1987
© COPYRIGHT 19 87 BY AMP-HOLLAND B.V.
ALL INTERNATIONAL RIGHTS RESERVED.
AMP PRODUCTS MAY BE COVERED BY U.S. AND FOREIGN PATENTS AND/OR PATENTS PENDING.

| NOTES | MATERIAL | THICKNESS | AREA |
|-------|------------------------------|-----------|--------------------------------------|
| 20 | TIN | 2,0 μm | ALL OVER |
| 21 | NICKEL GOLD TIN/LEAD | 0,8 μm | ALL OVER CONTACT AREA BARREL |
| 22 | NICKEL GOLD GOLD | 0,8 μm | ALL OVER CONTACT AREA ALL OVER |
| 23 | NICKEL GOLD GOLD | 1,2 μm | ALL OVER CONTACT AREA ALL OVER |
| 27 | NICKEL SILVER TIN/LEAD | 2,5 μm | ALL OVER CONTACT AREA BARREL |
| 28 | SILVER | 0,5 μm | ALL OVER |
| 29 | SILVER | 2,5 μm | ALL OVER |

| | |
|---------------------|--------------------|
| DR. L.V.D.HEYDEN | DATE 19.08.1987 |
| CHK. P.V.D.HAGEN | DATE |
| APP. L.V.SOEST | DATE |

| | | |
|-------------|----------------------|----------------|
| WIRE RANGE | NAME | REV.DATE |
| - | PIN TYPE III CONTACT | D M Y |
| INSUL.RANGE | SIZE 16 | 20 09 88 |
| SIZE A3 | SHEET 1 OF 1 | REV.LTR. G1 |
| DWG. No. | 163766 | |