



Chipsmall Limited consists of a professional team with an average of over 10 year of expertise in the distribution of electronic components. Based in Hongkong, we have already established firm and mutual-benefit business relationships with customers from,Europe,America and south Asia,supplying obsolete and hard-to-find components to meet their specific needs.

With the principle of “Quality Parts,Customers Priority,Honest Operation,and Considerate Service”,our business mainly focus on the distribution of electronic components. Line cards we deal with include Microchip,ALPS,ROHM,Xilinx,Pulse,ON,Everlight and Freescale. Main products comprise IC,Modules,Potentiometer,IC Socket,Relay,Connector.Our parts cover such applications as commercial,industrial, and automotives areas.

We are looking forward to setting up business relationship with you and hope to provide you with the best service and solution. Let us make a better world for our industry!



Contact us

Tel: +86-755-8981 8866 Fax: +86-755-8427 6832

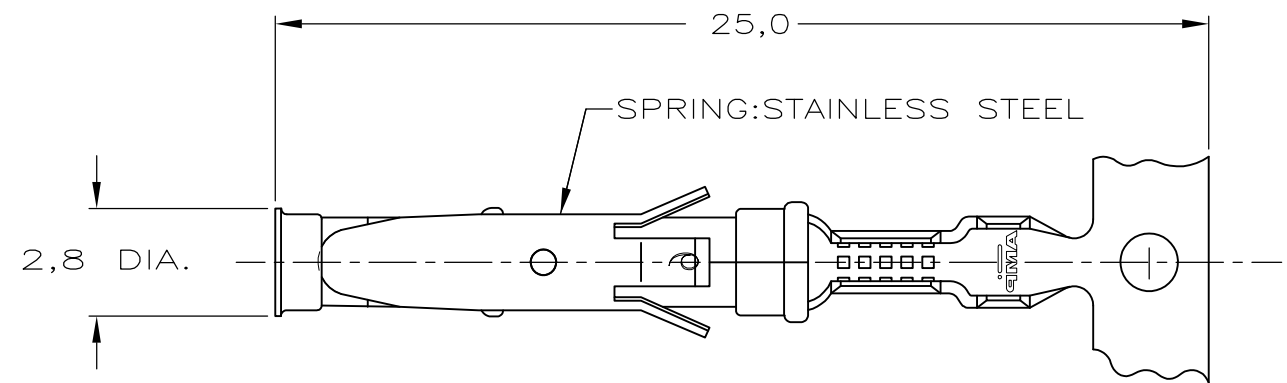
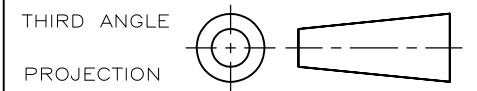
Email & Skype: info@chipsmall.com Web: www.chipsmall.com

Address: A1208, Overseas Decoration Building, #122 Zhenhua RD., Futian, Shenzhen, China

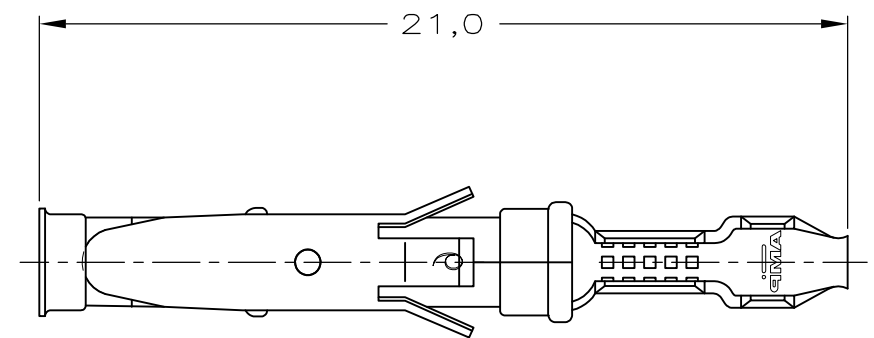


DO NOT SCALE
DIMENSIONS IN mm

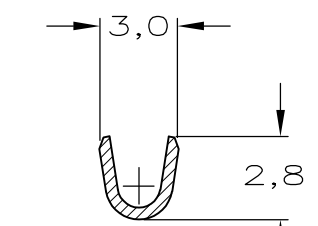
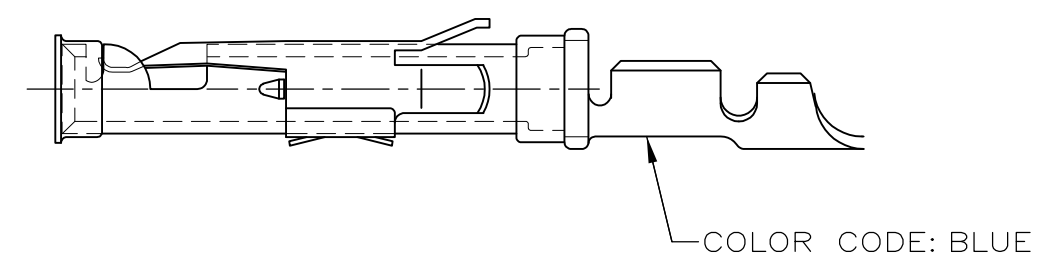
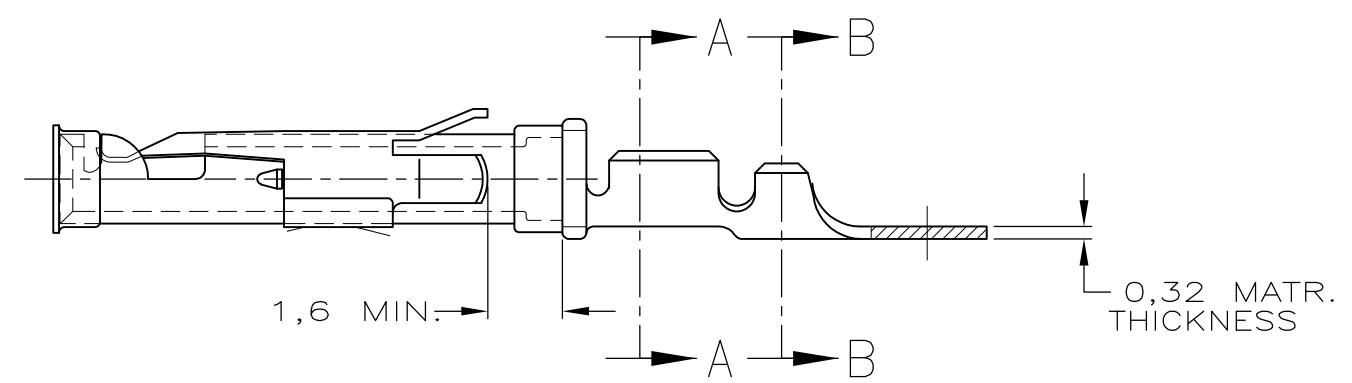
METRIC



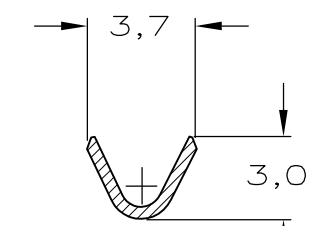
STRIP



LOOSE-PIECE



SECTION A-A



SECTION B-B

WIRE RANGE : 0,75-1,50 mm² (18-16 AWG)
INSUL. RANGE : 2,0 -2,5 mm (.080-.100)

NOTES :

- 1 FOR CRIMPDETAILS SEE AMP-SPEC. 114-19.000 .
- 2 MEETS PRODUCTSPECIFICATION 108-10042.
- 3 OBSOLETE PARTS: OBSOLETE CIS STREAMLINING PER D.RENAUD/D.SINISI

DIRECTION OFF TOP OF REEL							
AMPOMATOR + MINI-APPL. 107-3-FIG.1	A	3	163767-6	A		PH.BRONZE	SILVER
			163767-5	A		PH.BRONZE	SEL.GOLD
107-3-FIG.2	B		163767-4	A		PH.BRONZE	EL.TIN
		3	163767-3	B	164840-3	PH.BRONZE	SILVER
			163767-2	B	164840-2	PH.BRONZE	SEL.GOLD
			163767-1	B	164840-1	PH.BRONZE	EL.TIN
			PARTNUMBER	DIRECTION OF REEL	LOOSE-PIECE	MATERIAL	PLATING

CUSTOMER DRAWING
FOR REFERENCE ONLY
WILL NOT BE UPDATED

AMP AMP-HOLLAND B.V.
's-Hertogenbosch, The Netherlands.
THIS DRAWING IS UNPUBLISHED RELEASED FOR PUBLICATION AUG., 1987
© COPYRIGHT 1987 BY AMP-HOLLAND B.V.
ALL INTERNATIONAL RIGHTS RESERVED.
AMP PRODUCTS MAY BE COVERED BY U.S. AND FOREIGN PATENTS AND/OR PATENTS PENDING.

NOTES	MATERIAL	THICKNESS	AREA
20	TIN	2,0 μm	ALL OVER
21	NICKEL GOLD TIN/LEAD	0,8 μm	ALL OVER CONTACT AREA BARREL
22	NICKEL GOLD GOLD	0,8 μm	ALL OVER CONTACT AREA ALL OVER
23	NICKEL GOLD GOLD	1,2 μm	ALL OVER CONTACT AREA ALL OVER
24	NICKEL SILVER TIN/LEAD	2,5 μm	ALL OVER CONTACT AREA BARREL
25	SILVER	0,5 μm	ALL OVER
26	SILVER	2,5 μm	ALL OVER

DR. L.V.D.HEYDEN	DATE 19.08.1987	WIRE RANGE -	NAME SOCKET TYPE III CONTACT + SIZE 16	REV.DATE D M Y 20 09 88
CHK. P.V.D.HAGEN	DATE	INSUL.RANGE -		
APP. L.V.SOEST	DATE	SIZE A3	SHEET 1 OF 1	DWG. No. 163767
				REV.LTR. f1

F1	REVISED PER ECO-09-020689	KK	24AUG09
REV.s	ECN No.	DR.	DATE