



Chipsmall Limited consists of a professional team with an average of over 10 year of expertise in the distribution of electronic components. Based in Hongkong, we have already established firm and mutual-benefit business relationships with customers from,Europe,America and south Asia,supplying obsolete and hard-to-find components to meet their specific needs.

With the principle of “Quality Parts,Customers Priority,Honest Operation,and Considerate Service”,our business mainly focus on the distribution of electronic components. Line cards we deal with include Microchip,ALPS,ROHM,Xilinx,Pulse,ON,Everlight and Freescale. Main products comprise IC,Modules,Potentiometer,IC Socket,Relay,Connector.Our parts cover such applications as commercial,industrial, and automotives areas.

We are looking forward to setting up business relationship with you and hope to provide you with the best service and solution. Let us make a better world for our industry!



Contact us

Tel: +86-755-8981 8866 Fax: +86-755-8427 6832

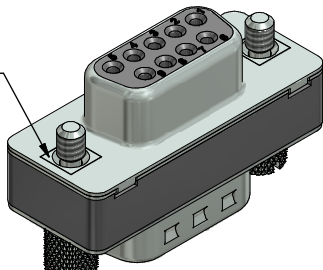
Email & Skype: info@chipsmall.com Web: www.chipsmall.com

Address: A1208, Overseas Decoration Building, #122 Zhenhua RD., Futian, Shenzhen, China

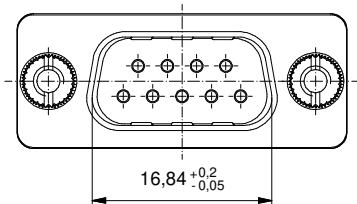
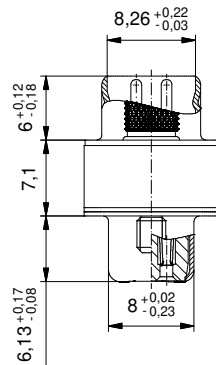
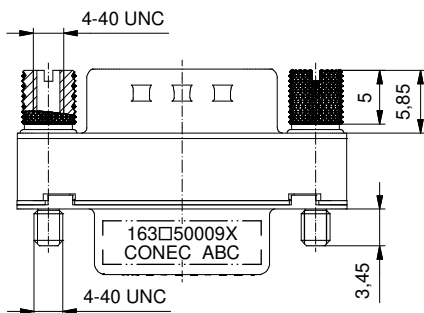
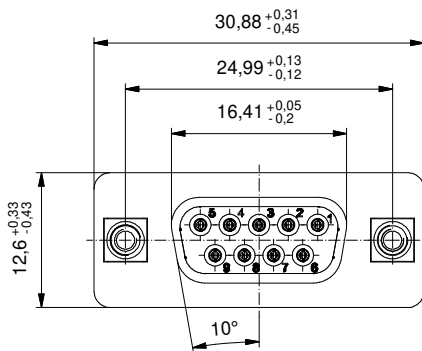




Threaded insert/
Gewindeeinsatz



Adapter screw/
Adapterschraube



(b) Technical specification:
Technische Daten:

Working voltage/ Betriebsspannung:	125 V AC
Insulation resistance/ Isolationswiderstand:	≥ 5 GΩ
Dielectric withstanding voltage/ Spannungsfestigkeit:	1000 V, 50 Hz, 1 min.
Temperature range/ Temperaturbereich:	- 55 °C ... + 125 °C
Current rating/ Strombelastbarkeit:	7,5 A (UL) / 5 A (CSA, VDE)
Mating cycles/ Steckzyklen:	Quality class 3 = 50 Gütestufe 3 Quality class 2 = 200 Gütestufe 2 Quality class 1 = 500 Gütestufe 1

**Materials/
Werkstoffe:**

Contact/ Kontakt:	Cu alloy, Au over Ni
Insulator/ Isolierkörper:	PBT GF UL 94 V-0, black/schwarz
Shell/ Gehäuse:	Steel, Sn over Ni
Threaded insert/ Gewindeeinsatz:	Cu alloy, Sn over Ni
Adapter screw/ Adapterschraube:	Cu alloy, Ni

**Installation specification/
Montagedaten:**

Recommended torque value for thread/ Empfohlenes Drehmoment für Gewinde:	max. 6 in.LB/ max. 67 Ncm
---	------------------------------

(b)

Part no. / Part marked/ Art.-Nr. / Bedruckung:	Quality class/ Gütestufe:	Contact plating/ Kontakt Veredelung:
163A50009X	3	Gold flash over nickel Gold über Nickel
163B50009X	2	20 µm hard gold over min. 50 µm nickel 20 µm Gold über min. 50 µm Nickel
163C50009X	1	30 µm hard gold over min. 50 µm nickel 30 µm Gold über min. 50 µm Nickel

Index: b Ä6490 25.01.2017 J.L.		scale/Maßstab: 2:1				D-SUB Adapter 9pos. Male / Female D-SUB Adapter 9pol. Stift / Buchse		dwg no / Z.-nr.: 16K1A897		DIN- A3	
Status: InBearbeitung		RoHS compliant/konform								1 / 1	

The reproduction, distribution and utilization of this document as well as the communication of its contents to third parties without express authorization is prohibited. Offenders will be held liable for the payment of damages. Wir bitten Sie, die Weitergabe dieses Dokuments an Dritte ohne unsere ausdrückliche Genehmigung zu unterlassen. Zuwiderhandlungen werden strafrechtlich verfolgt.