



Chipsmall Limited consists of a professional team with an average of over 10 year of expertise in the distribution of electronic components. Based in Hongkong, we have already established firm and mutual-benefit business relationships with customers from,Europe,America and south Asia,supplying obsolete and hard-to-find components to meet their specific needs.

With the principle of “Quality Parts,Customers Priority,Honest Operation,and Considerate Service”,our business mainly focus on the distribution of electronic components. Line cards we deal with include Microchip,ALPS,ROHM,Xilinx,Pulse,ON,Everlight and Freescale. Main products comprise IC,Modules,Potentiometer,IC Socket,Relay,Connector.Our parts cover such applications as commercial,industrial, and automotives areas.

We are looking forward to setting up business relationship with you and hope to provide you with the best service and solution. Let us make a better world for our industry!



## Contact us

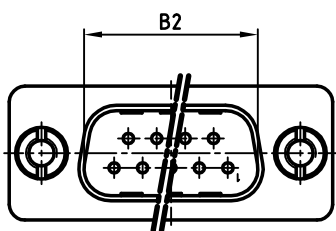
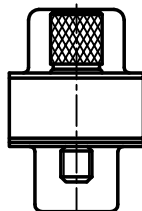
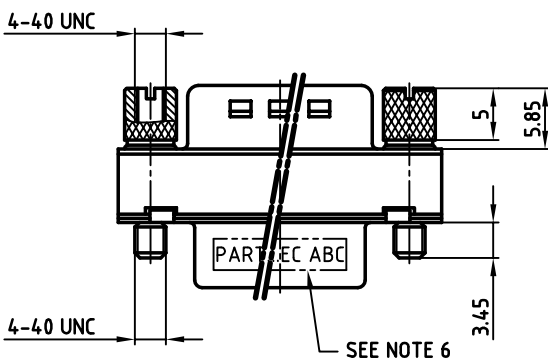
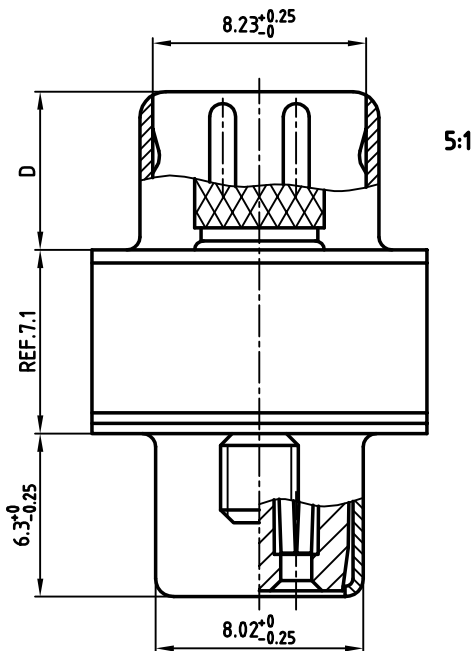
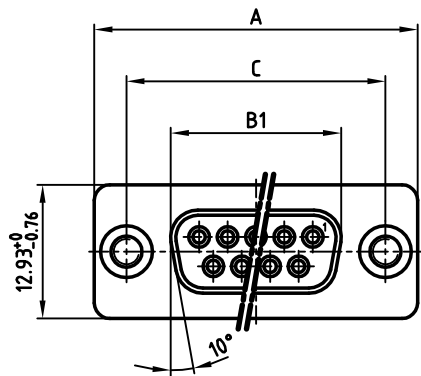
Tel: +86-755-8981 8866 Fax: +86-755-8427 6832

Email & Skype: info@chipsmall.com Web: www.chipsmall.com

Address: A1208, Overseas Decoration Building, #122 Zhenhua RD., Futian, Shenzhen, China



used for: D-SUB



POS.	A -0.76	B1 -0.25	B2 ±0.25	C	D -0.3	PART NO.
15	39.52	24.79	25.12	33.30 <sup>+0.15</sup> / <sub>-0.1</sub>	6.12	163C50019X
25	53.42	38.50	38.84	47.04 ±0.13	5.99	163C50029X
37	69.70	54.96	55.30	63.50 ±0.13	5.99	163C50039X

**NOTES:**

- METALSHELLS: STEEL; min. 315µin TIN OVER 40-80µin NICKEL
- INSULATORS: PBTP GF UL 94 V-0, BLACK
- CONTACTS: COPPER ALLOY  
PLATING: 30µin HARD GOLD over min. 50min NICKEL
- ADAPTER SCREW: COPPER ALLOY; NICKEL PLATED
- MAXIMUM TORQUE VALUE FOR THREAD: 6in.LB
- CONNECTOR IS PART MARKED: PART NO. CONEC ABC

Directive 2002/95/EC  
"RoHS"  
Compliant

APPROVAL * FREIGABE * DEBLOCAGE * AUTORIZACION * APPROVAL	APPROVAL * FREIGABE * DEBLOCAGE * AUTORIZACION * APPROVAL
CUSTOMER APPROVAL DATE:	
NAME:	TITLE:
COMPANY NAME:	
APPROVAL * FREIGABE * DEBLOCAGE * AUTORIZACION * APPROVAL	APPROVAL * FREIGABE * DEBLOCAGE * AUTORIZACION * APPROVAL

THIS DRAWING MAY NOT BE COPIED OR REPRODUCED IN ANY WAY, AND MAY NOT BE PASSED ON TO A THIRD PARTY, WITHOUT WRITTEN PERMISSION.  
OWNERSHIP AND COPYRIGHT OF CONEC GmbH  
DO NOT ALTER CAD DRAWING BY HAND

rev.	description	date	name

tolerance		scale:	2:1 (5:1)
	dim. in mm	material:	SEE NOTES
2009	date	name	title:
drawn	27.02.	Petker	<b>D-SUB ADAPTER</b> 15-37pos. Plug / Socket
appd.	27.02.	Fischer	
norm	DIN 41652		
d-old			dwg no: AutoCAD 2006
<b>CONEC</b>			DIN-A
			3
			sh: 1/1
part no:		SEE TABLE	