



Chipsmall Limited consists of a professional team with an average of over 10 year of expertise in the distribution of electronic components. Based in Hongkong, we have already established firm and mutual-benefit business relationships with customers from,Europe,America and south Asia,supplying obsolete and hard-to-find components to meet their specific needs.

With the principle of “Quality Parts,Customers Priority,Honest Operation,and Considerate Service”,our business mainly focus on the distribution of electronic components. Line cards we deal with include Microchip,ALPS,ROHM,Xilinx,Pulse,ON,Everlight and Freescale. Main products comprise IC,Modules,Potentiometer,IC Socket,Relay,Connector.Our parts cover such applications as commercial,industrial, and automotives areas.

We are looking forward to setting up business relationship with you and hope to provide you with the best service and solution. Let us make a better world for our industry!



Contact us

Tel: +86-755-8981 8866 Fax: +86-755-8427 6832

Email & Skype: info@chipsmall.com Web: www.chipsmall.com

Address: A1208, Overseas Decoration Building, #122 Zhenhua RD., Futian, Shenzhen, China



DO NOT SCALE
DIMENSIONS IN mm

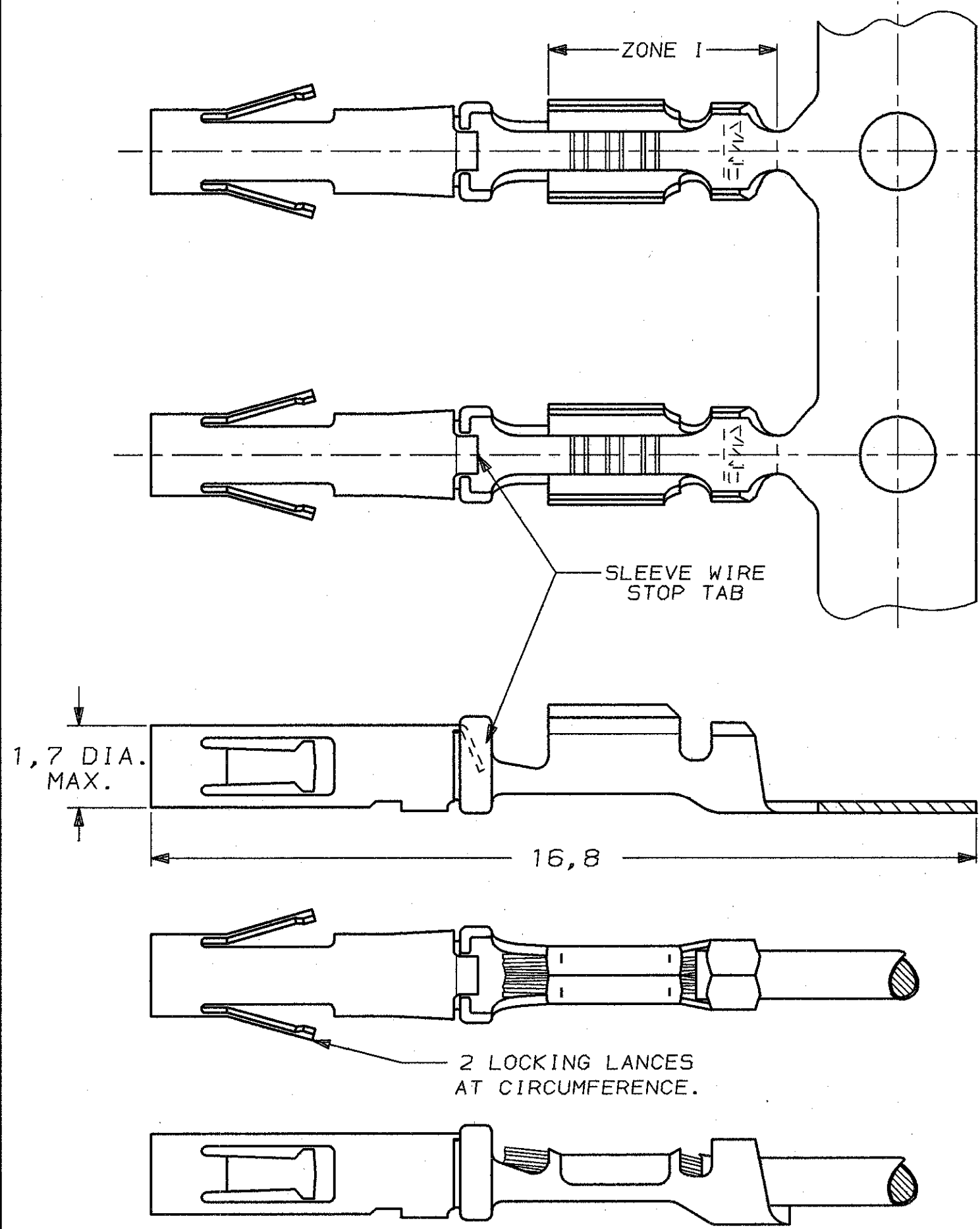
METRIC

THIRD ANGLE
PROJECTION



NOTES:

- ① FOR USE ON MINIATURE APPLICATOR (LEFT-RIGHT FEED).
- ② FOR USE ON STANDARD APPLICATOR (RIGHT-LEFT FEED)
- ③ FOR LOOSE-PIECE VERSIONS SEE DWG. 164170.
- ④ UNDERCOATING: 1,3µm Ni.
SELECTIVE : 0,8µm Au.
ZONE I : BRIGHT TIN/LEAD PLATED
- ⑤ UNDERCOATING: 1,3µm Ni.
SELECTIVE : 0,8µm Au.
REMAINDER : GOLDFLASH.



WIRE RANGE :
30-26 AWG 0,05-0,14 mm²
INSULATION RANGE :
1,22 DIA. MAX.

POST TINPLATED	STAINLESS STEEL	BRASS	164155-9	②
SEE NOTE ⑤			164155-8	②
SEE NOTE ④			164155-7	②
SEE NOTE ④			164155-6	①
PRETINNED			164155-5	②
PRETINNED			164155-4	①
POST TINPLATED			164155-2	①
SEE NOTE ⑤			164155-1	①
PLATING OF BODY	MATERIAL OF SLEEVE	MATERIAL OF BODY	PARTNUMBER	

—	—	—	—	—	—
—	—	—	—	—	—
—	—	—	—	—	—
—	—	—	—	—	—
—	—	—	—	—	—
—	—	—	—	—	—
H	EH-0077-92	JvL	CvT	04-03-94	
LTR.	REVISION RECORD	DR.	CHK.	DATE	

CUSTOMER DRAWING FOR REFERENCE ONLY
WILL NOT BE UPDATED
© COPYRIGHT 19- BY AMP HOLLAND B.V.
ALL INTERNATIONAL RIGHTS RESERVED. AMP PRODUCTS MAY BE
COVERED BY U.S. AND FOREIGN AND/OR PATENTS PENDING.
THIS DRAWING IS UNPUBLISHED
RELEASED FOR PUBLICATION _____, 19____



NAME
HDR SOCKET CONTACT
TYPE XI (CRIMP SNAP-IN)

DR.: J.v.LIEMPT	CHK.: C.v.TILBURG	APP.: J.v.50EST	DWG.No.	REV.LTR.	SHEET
DATE: 6 JAN 1993	DATE: 08-02-93	DATE: 08-02-93	C-164155	H	1 OF 1