



Chipsmall Limited consists of a professional team with an average of over 10 year of expertise in the distribution of electronic components. Based in Hongkong, we have already established firm and mutual-benefit business relationships with customers from,Europe,America and south Asia,supplying obsolete and hard-to-find components to meet their specific needs.

With the principle of "Quality Parts,Customers Priority,Honest Operation,and Considerate Service",our business mainly focus on the distribution of electronic components. Line cards we deal with include Microchip,ALPS,ROHM,Xilinx,Pulse,ON,Everlight and Freescale. Main products comprise IC,Modules,Potentiometer,IC Socket,Relay,Connector.Our parts cover such applications as commercial,industrial, and automotives areas.

We are looking forward to setting up business relationship with you and hope to provide you with the best service and solution. Let us make a better world for our industry!



## Contact us

Tel: +86-755-8981 8866 Fax: +86-755-8427 6832

Email & Skype: info@chipsmall.com Web: www.chipsmall.com

Address: A1208, Overseas Decoration Building, #122 Zhenhua RD., Futian, Shenzhen, China




# HC-A3-STQ1,5-KML-G-PA

Order No.: 1641604

<http://eshop.phoenixcontact.de/phoenix/treeViewClick.do?UID=1641604>

HEAVYCON QUICKON coupling housing A3, for single locking latch, 3-pos., with PE connection, plug , QUICKON connection, straight cable outlet

## Commercial data

GTIN (EAN)	 4 017918 890001
sales group	D442
Pack	1 pcs.
Customs tariff	85369010
Catalog page information	Page 421 (PC-2009)

## Product notes

WEEE/RoHS-compliant since:  
03/28/2006



<http://www.download.phoenixcontact.com>  
Please note that the data given here has been taken from the online catalog. For comprehensive information and data, please refer to the user documentation. The General Terms and Conditions of Use apply to Internet downloads.

## Technical data

### General characteristics

Connection	If the conductor is reconnected, it must be cut off above the last contact point. QUICKON components may only be operated when under no load.
Type	Male

Design	A3
Housing type	Coupling housings
Locking type	With single locking latch
Number of positions	3
Wrench size, union nut	19 mm
Tightening torque, union nut	3 Nm
Conductor cross section stranded min.	0.75 mm <sup>2</sup>
Conductor cross section stranded max.	1.5 mm <sup>2</sup>
Conductor cross section AWG/kcmil min.	18
Conductor cross section AWG/kcmil max	16

#### Conductor data

Structure of individual litz in acc. with VDE 0295 / smallest wire diameter	VDE 0295 Cl.2-5, min. wire diameter 0.2 mm
Wire insulation material	PVC/PE
Wire diameter including insulation	1.8 mm ... 3 mm
External cable diameter	6 mm ... 12 mm

#### Environmental conditions

Degree of protection	IP65
Ambient temperature (operation)	-25 °C ... 80 °C
Ambient temperature (storage/transport)	-40 °C ... 70 °C
Temperature when conductor connected	-5 °C ... 50 °C (specifications of the cable manufacturer must also be observed)

#### Electrical characteristics

Rated current	10 A
Note on the rated voltage (III/3)	250 / 400 V
Rated voltage (III/2)	320 V
Rated voltage (II/2)	630 V
Rated surge voltage (III/3)	4 kV
Rated surge voltage (III/2)	4 kV
Rated surge voltage (II/2)	4 kV

#### Mechanical characteristics

QUICKON connectability	10 (For the same conductor cross section)
Insertion/withdrawal cycles	500

**Material data**

Contact material	Cu alloy
Contact surface material	Silver-plated
Contact carrier material	PA / PC
Insulating material	PA
Inflammability class acc. to UL 94	V0
Surge voltage category	III
Pollution degree	3

**Certificates / Approvals**



Certification CUL, GOST, UL

**Accessories**

Item	Designation	Description
------	-------------	-------------

**General**

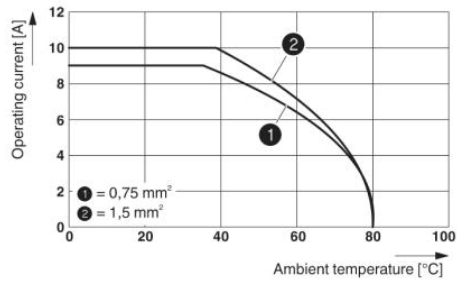
1642182	Q 1,5/4IDC/24-24KU-KU BK PE	QUICKON cable connector, black, 3+PE-pos., 0.75 mm <sup>2</sup> ... 1.5 mm <sup>2</sup> /500 V/15 A, for a cable diameter of 6 mm ... 12 mm.
---------	-----------------------------	--

**Tools**

1205862	MICROFOX SC	Diagonal cutter for Cu wire up to 1.5 mm diameter
1670895	QSS 19	Socket wrench, for tightening and unscrewing the QUICKON union nut, wrench size 19 mm

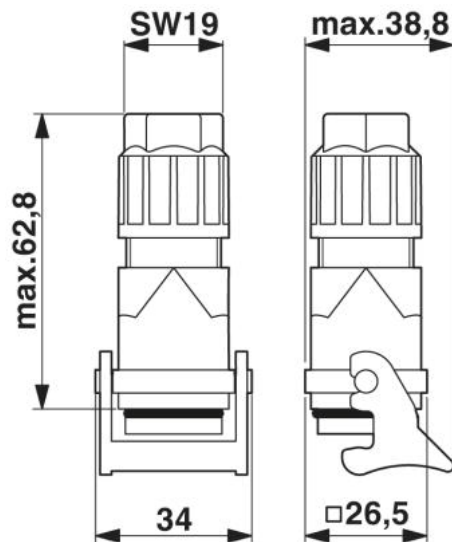
## Diagrams/Drawings

### Diagram



Derating diagram: A series

### Dimensioned drawing



**Address**

PHOENIX CONTACT Inc., USA  
586 Fulling Mill Road  
Middletown, PA 17057, USA  
Phone (800) 888-7388  
Fax (717) 944-1625  
<http://www.phoenixcon.com>



© 2010 Phoenix Contact  
Technical modifications reserved;