



Chipsmall Limited consists of a professional team with an average of over 10 year of expertise in the distribution of electronic components. Based in Hongkong, we have already established firm and mutual-benefit business relationships with customers from,Europe,America and south Asia,supplying obsolete and hard-to-find components to meet their specific needs.

With the principle of "Quality Parts,Customers Priority,Honest Operation,and Considerate Service",our business mainly focus on the distribution of electronic components. Line cards we deal with include Microchip,ALPS,ROHM,Xilinx,Pulse,ON,Everlight and Freescale. Main products comprise IC,Modules,Potentiometer,IC Socket,Relay,Connector.Our parts cover such applications as commercial,industrial, and automotives areas.

We are looking forward to setting up business relationship with you and hope to provide you with the best service and solution. Let us make a better world for our industry!



Contact us

Tel: +86-755-8981 8866 Fax: +86-755-8427 6832

Email & Skype: info@chipsmall.com Web: www.chipsmall.com

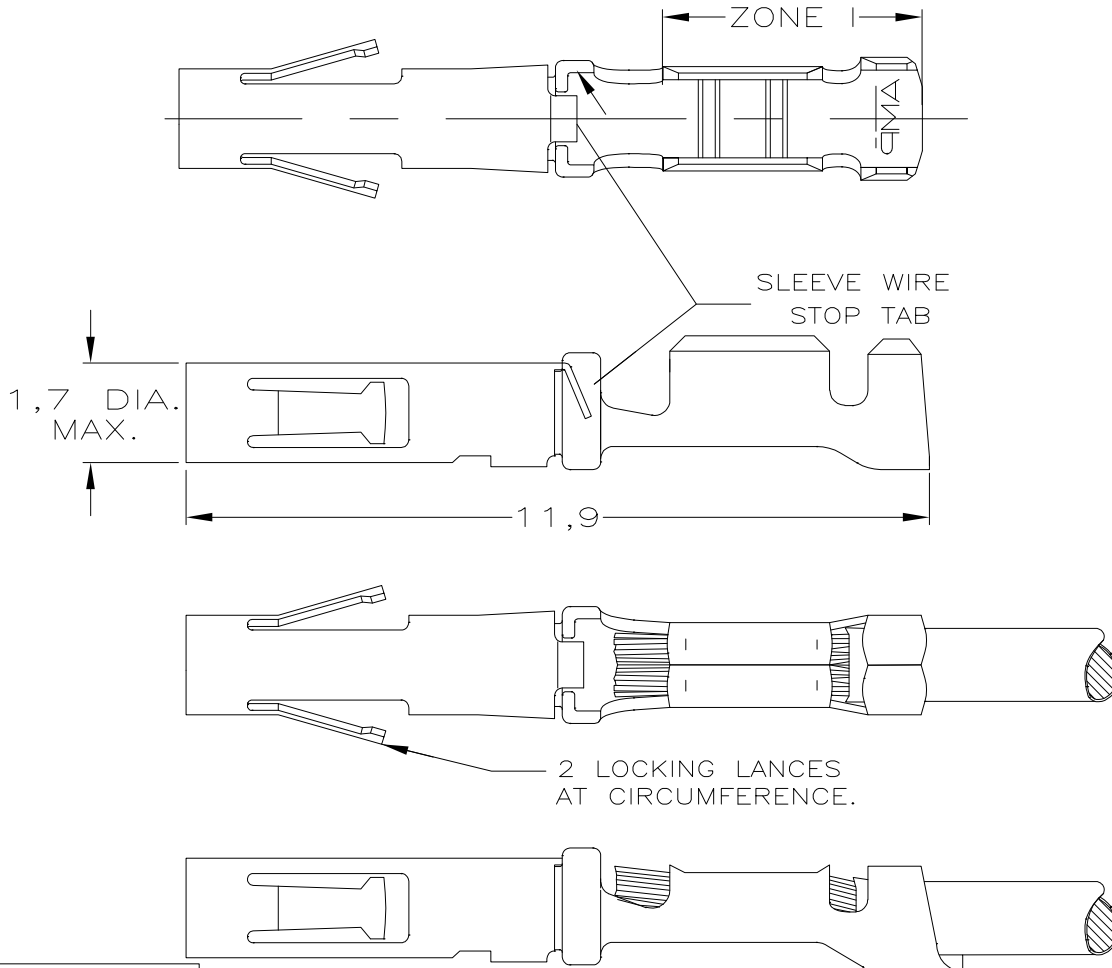
Address: A1208, Overseas Decoration Building, #122 Zhenhua RD., Futian, Shenzhen, China



LOC	DIST	REVISIONS					
E	B	P	LTR	DESCRIPTION	DATE	DWN	APVD
			F	EBD0-0463-04	08DEC04	RS	MG
			F1	REVISED PER ECO-09-020689	24AUG09	KK	AEG

NOTES:

- ① FOR STRIP VERSION SEE DWG. 164153.
- ② UNDERCOATING: 1,3µm Ni.
SELECTIVE : 0,8µm Au.
ZONE I : BRIGHT TIN PLATED.
- ③ UNDERCOATING: 1,3µm Ni.
SELECTIVE : 0,8µm Au.
REMAINDER : GOLDFLASH.
- ④ OBSOLETE PARTS: OBSOLETE CIS STREAMLINING PER D.RENAUD/D.SINISI



WIRE RANGE :
24-20 AWG 0,20-0,56 mm²
INSULATION RANGE :
1,57 DIA. MAX.

STAINLESS STEEL	SEE NOTE ②	BRASS	164169-4
	PRETINNED		164169-3
	POST TINPLATED		④ 164169-2
	SEE NOTE ③		164169-1
MATERIAL OF SLEEVE	PLATING OF BODY	MATERIAL OF BODY	PARTNUMBER

RELEASED FOR PUBLICATION JAN 1, 1993.

ALL RIGHTS RESERVED.

COPYRIGHT 1993 BY TYCO ELECTRONICS CORPORATION.

THIS DRAWING IS UNPUBLISHED.

DIMENSIONS: mm	DWN J.v.LIEMPT 6 JAN 1993	MATERIAL -	FINISH -
	CHK C.v.TILBURG 08-02-93	Tyco Electronics Corporation Harrisburg, PA 17105-3608	
TOLERANCES UNLESS OTHERWISE SPECIFIED:	APVD L.v.SOEST 08-02-93		
0 PLC ± -	PRODUCT SPEC	SIZE A4	CAGE CODE 00779
1 PLC ± -	APPLICATION SPEC	DRAWING NO C-164169	RESTRICTED TO -
2 PLC ± -	WEIGHT	CUSTOMER DRAWING	
3 PLC ± -		SCALE	SHEET 1 OF 1
4 PLC ± -			REV F1
ANGLES ± -			