



Chipsmall Limited consists of a professional team with an average of over 10 year of expertise in the distribution of electronic components. Based in Hongkong, we have already established firm and mutual-benefit business relationships with customers from,Europe,America and south Asia,supplying obsolete and hard-to-find components to meet their specific needs.

With the principle of “Quality Parts,Customers Priority,Honest Operation,and Considerate Service”,our business mainly focus on the distribution of electronic components. Line cards we deal with include Microchip,ALPS,ROHM,Xilinx,Pulse,ON,Everlight and Freescale. Main products comprise IC,Modules,Potentiometer,IC Socket,Relay,Connector.Our parts cover such applications as commercial,industrial, and automotives areas.

We are looking forward to setting up business relationship with you and hope to provide you with the best service and solution. Let us make a better world for our industry!



Contact us

Tel: +86-755-8981 8866 Fax: +86-755-8427 6832

Email & Skype: info@chipsmall.com Web: www.chipsmall.com

Address: A1208, Overseas Decoration Building, #122 Zhenhua RD., Futian, Shenzhen, China

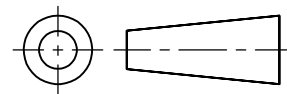


DO NOT SCALE

METRIC

THIRD ANGLE

PROJECTION

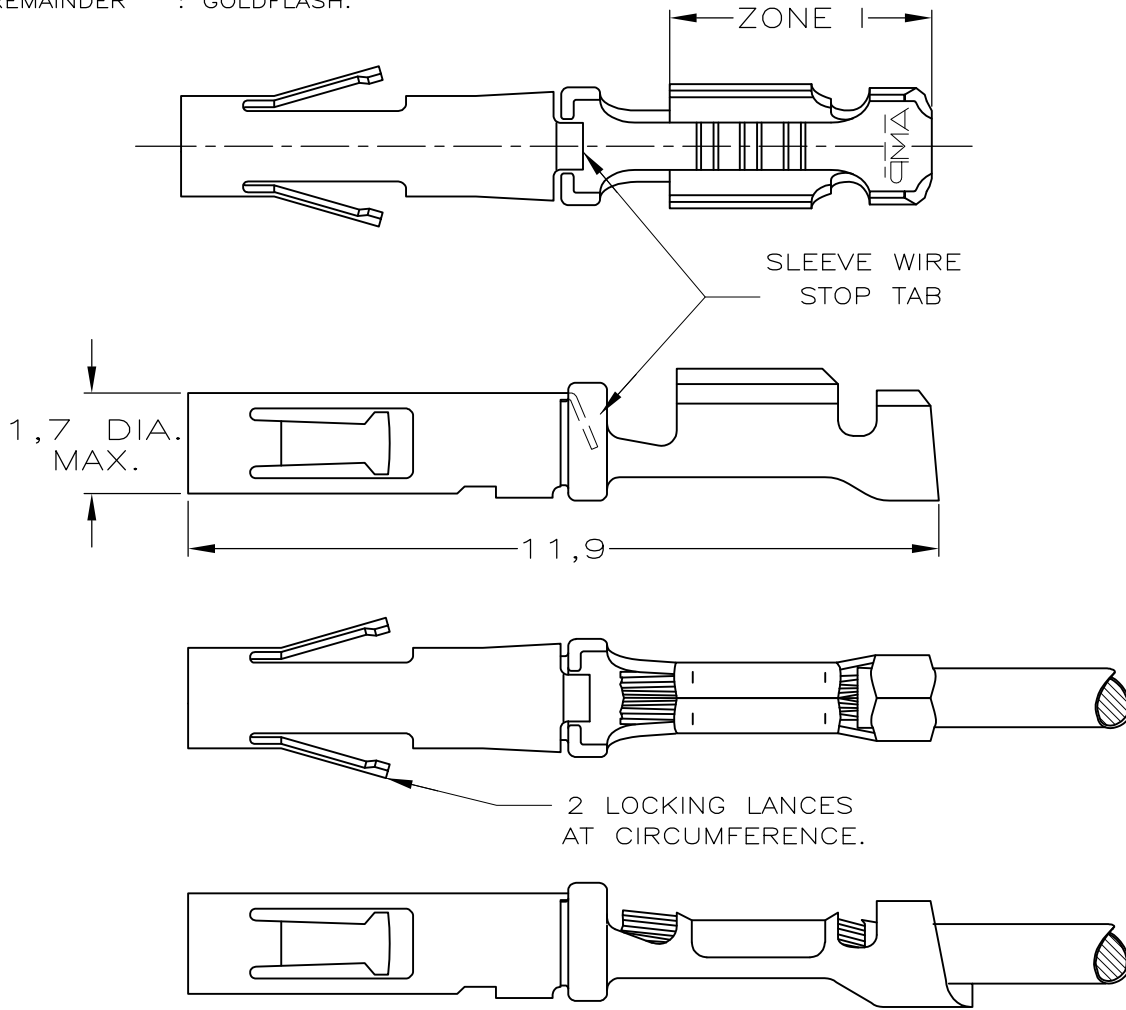


DIMENSIONS IN mm

NOTES:

- ① FOR STRIP VERSION SEE DWG. 164155.
- ② UNDERCOATING: 1,3µm Ni.
SELECTIVE : 0,8µm Au.
ZONE I : BRIGHT TIN/LEAD PLATED.
- ③ UNDERCOATING: 1,3µm Ni.
SELECTIVE : 0,8µm Au.
REMAINDER : GOLDFLASH.

④ OBSOLETE PARTS: OBSOLETE CIS STREAMLINING PER D.RENAUD/D.SINISI



WIRE RANGE :
30-26 AWG 0,05-0,14 mm²
INSULATION RANGE :
1,22 DIA. MAX.

STAINLESS STEEL	SEE NOTE ②	BRASS	164170-4									
	PRETINNED		164170-3									
	POST TINPLATED		164170-2 ④									
	SEE NOTE ③		164170-1									
MATERIAL OF SLEEVE	PLATING OF BODY	MATERIAL OF BODY	PARTNUMBER									
—	—	—	CUSTOMER DRAWING FOR REFERENCE ONLY WILL NOT BE UPDATED									
—	—	—	© COPYRIGHT 19 — BY AMP HOLLAND B.V. ALL INTERNATIONAL RIGHTS RESERVED. AMP PRODUCTS MAY BE COVERED BY U.S. AND FOREIGN AND/OR PATENTS PENDING. THIS DRAWING IS UNPUBLISHED RELEASED FOR PUBLICATION —,19—									
—	—	—	AMP AMP HOLLAND B.V. 's-Hertogenbosch, The Netherlands.									
E1	REVISED PER ECO-09-020689	KK	AEG	24AUG09								
E	EH-0077-92	JvL	CvT	04-03-94								
LTR.	REVISION RECORD	DR.	CHK.	DATE								
DR.:	J.v.LIEMPT	CHK.:	C.v.TILBURG	APP.:	L.v.SOEST	DWG.No.	164170	REV.LTR.	E1	SHEET	1 OF 1	A4
DATE:	6 JAN 1993	DATE:	08-02-93	DATE:	08-02-93							