



Chipsmall Limited consists of a professional team with an average of over 10 year of expertise in the distribution of electronic components. Based in Hongkong, we have already established firm and mutual-benefit business relationships with customers from,Europe,America and south Asia,supplying obsolete and hard-to-find components to meet their specific needs.

With the principle of “Quality Parts,Customers Priority,Honest Operation,and Considerate Service”,our business mainly focus on the distribution of electronic components. Line cards we deal with include Microchip,ALPS,ROHM,Xilinx,Pulse,ON,Everlight and Freescale. Main products comprise IC,Modules,Potentiometer,IC Socket,Relay,Connector.Our parts cover such applications as commercial,industrial, and automotives areas.

We are looking forward to setting up business relationship with you and hope to provide you with the best service and solution. Let us make a better world for our industry!



## Contact us

Tel: +86-755-8981 8866 Fax: +86-755-8427 6832

Email & Skype: info@chipsmall.com Web: www.chipsmall.com

Address: A1208, Overseas Decoration Building, #122 Zhenhua RD., Futian, Shenzhen, China



## Conductor T connector - Q 4,0/5IDC/KU-T - 1641963

Please be informed that the data shown in this PDF Document is generated from our Online Catalog. Please find the complete data in the user's documentation. Our General Terms of Use for Downloads are valid (<http://download.phoenixcontact.com>)

QUICKON T-distributor, for T-shaped power branches with round cables, 2.5 to 4 mm<sup>2</sup>, wiring of the unseparated master cable with black wing nut and the T-branch with QUICKON fast connection.



The illustration shows a combination of versions Q 4,0/5IDC/KU-T and Q-MU-T



### Key commercial data

Packing unit	1 pc
Weight per Piece (excluding packing)	281.61 GRM
Custom tariff number	85366990
Country of origin	Germany

### Technical data

#### General

Connection	If the conductor is reconnected, it must be cut off above the last contact point. QUICKON components may only be operated when under no load. The QUICKON T-distributor is designed for permanent installation.
Design	T-distributor
Color	light grey RAL 7035
Locking type	Screw locking
Connection method	QUICKON connection IDC connection
Number of positions	5
Wrench size, union nut	30 mm
Tightening torque, union nut	10 Nm
Tightening torque, counter nut	12 Nm
Number of connections	10
Conductor cross section stranded min.	2.5 mm <sup>2</sup>

# Conductor T connector - Q 4,0/5IDC/KU-T - 1641963

## Technical data

### General

Conductor cross section stranded max.	4 mm <sup>2</sup>
Conductor cross section AWG/kcmil min.	14
Conductor cross section AWG/kcmil max	12

### Conductor

Structure of individual litz in acc. with VDE 0295 / smallest wire diameter	Class 2 to 5 / 0.25 mm
Wire insulation material	PVC/PE
Wire diameter including insulation	2.4 mm ... 4.3 mm
External cable diameter	9 mm ... 16 mm (branch line)
	9 mm ... 16 mm (Master cable (for diameters < 13.5 mm, additional insert seals are available))

### Ambient conditions

Degree of protection	IP65
Ambient temperature (operation)	-40 °C ... 80 °C
Ambient temperature (storage/transport)	-40 °C ... 70 °C
Temperature when conductor connected	10 °C ... 50 °C (specifications of the cable manufacturer must also be observed)

### Electrical characteristics

Nominal current I <sub>N</sub>	32 A (At ambient temperature 40°C)
Rated current	32 A
Rated voltage (III/3)	630 V
Rated voltage (III/2)	1000 V
Rated voltage (II/2)	1000 V
Rated surge voltage (III/3)	8 kV
Rated surge voltage (III/2)	8 kV
Rated surge voltage (II/2)	8 kV

### Mechanical characteristics

QUICKON connectability	max. 10
------------------------	---------

### Material data

Contact material	Cu alloy
Contact surface material	Pre-nickel plated and tin-plated
Insulating material	PA
Inflammability class according to UL 94	V2
Surge voltage category	III
Pollution degree	3

# Conductor T connector - Q 4,0/5IDC/KU-T - 1641963

## Classifications

### eCl@ss

eCl@ss 4.0	27140815
eCl@ss 4.1	27140815
eCl@ss 5.0	27143423
eCl@ss 5.1	27143423
eCl@ss 6.0	27143423
eCl@ss 7.0	27449001
eCl@ss 8.0	27449001

### ETIM

ETIM 2.0	EC000516
ETIM 3.0	EC000516
ETIM 4.0	EC000516
ETIM 5.0	EC002635

### UNSPSC

UNSPSC 6.01	30211923
UNSPSC 7.0901	39121522
UNSPSC 11	39121522
UNSPSC 12.01	39121522
UNSPSC 13.2	39121522

## Approvals

### Approvals

---

#### Approvals

UL Recognized / cUL Recognized / GOST / cULus Recognized

---

#### Ex Approvals

---

Approvals submitted

---

### Approval details

## Conductor T connector - Q 4,0/5IDC/KU-T - 1641963

### Approvals

UL Recognized	
mm <sup>2</sup> /AWG/kcmil	14-12
Nominal current I <sub>N</sub>	25 A
Nominal voltage U <sub>N</sub>	600 V

cUL Recognized	
mm <sup>2</sup> /AWG/kcmil	14-12
Nominal current I <sub>N</sub>	25 A
Nominal voltage U <sub>N</sub>	600 V

GOST	
------	--

cULus Recognized	
------------------	--

### Accessories

Accessories

Mounting material

Round/slip-on connection - Q-MU-T - 1640993



Nut, plastic, to lock the distributor in the case of panel feed-throughs

Seal

## Conductor T connector - Q 4,0/5IDC/KU-T - 1641963

### Accessories

Insert seal - Q-T-EDG-K - 1580011



Insert seal for QUICKON T-distributor, for IP65 sealing of thin power conductors (9 - 11 mm)

---

Insert seal - Q-T-EDG-M - 1580024



Insert seal for QUICKON T-distributor, for IP65 sealing of thin power conductors (10 - 12.5 mm)

---

Insert seal - Q-T-EDG-G - 1580037



Insert seal for QUICKON T-distributor, for IP65 sealing of thin power conductors (11.5 mm ... 14 mm)

---

Stripping tool - KAMES MULTI - 1209075



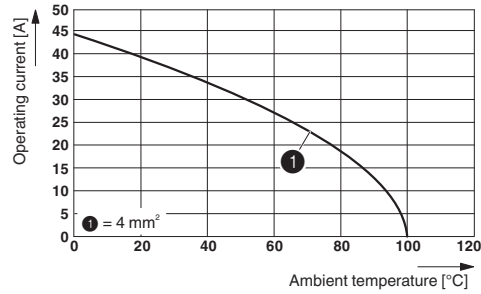
Stripping tool, for stripping cables of 4.5 mm - 40 mm-Ø, insulation thickness of up to 4.5 mm, pivoting blade for round, lengthwise, and spiral cuts

---

### Drawings

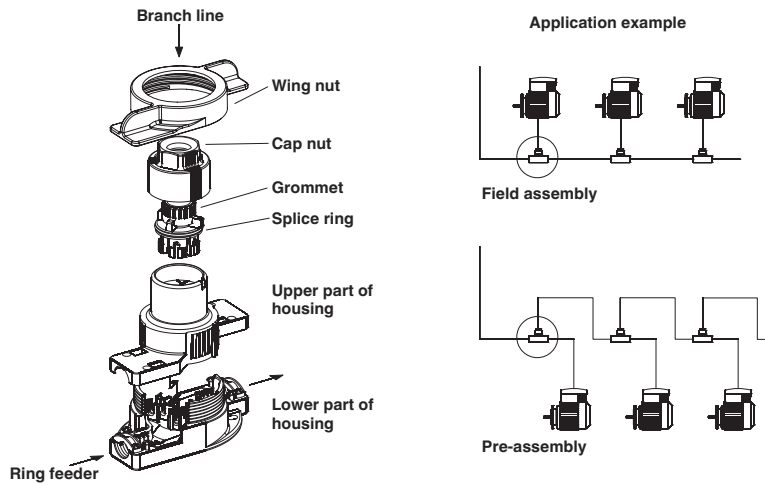
# Conductor T connector - Q 4,0/5IDC/KU-T - 1641963

Diagram



Derating diagram

Explosion drawing



# Conductor T connector - Q 4,0/5IDC/KU-T - 1641963

Dimensioned drawing

