



Chipsmall Limited consists of a professional team with an average of over 10 year of expertise in the distribution of electronic components. Based in Hongkong, we have already established firm and mutual-benefit business relationships with customers from,Europe,America and south Asia,supplying obsolete and hard-to-find components to meet their specific needs.

With the principle of “Quality Parts,Customers Priority,Honest Operation,and Considerate Service”,our business mainly focus on the distribution of electronic components. Line cards we deal with include Microchip,ALPS,ROHM,Xilinx,Pulse,ON,Everlight and Freescale. Main products comprise IC,Modules,Potentiometer,IC Socket,Relay,Connector.Our parts cover such applications as commercial,industrial, and automotives areas.

We are looking forward to setting up business relationship with you and hope to provide you with the best service and solution. Let us make a better world for our industry!



Contact us

Tel: +86-755-8981 8866 Fax: +86-755-8427 6832

Email & Skype: info@chipsmall.com Web: www.chipsmall.com

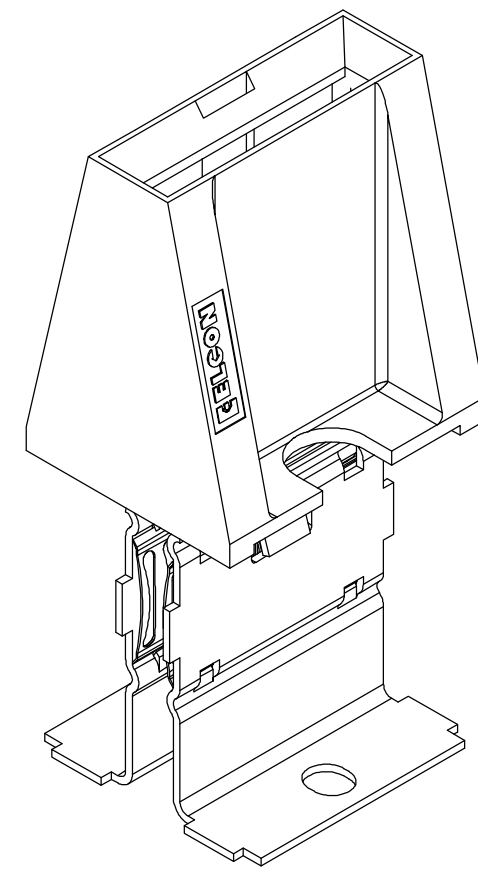
Address: A1208, Overseas Decoration Building, #122 Zhenhua RD., Futian, Shenzhen, China



THIS DRAWING IS UNPUBLISHED. RELEASED FOR PUBLICATION
 © COPYRIGHT BY TYCO ELECTRONICS CORPORATION. ALL RIGHTS RESERVED.

LOC	DIST	REVISIONS					
GP	00	P	LTR	DESCRIPTION	DATE	DWN	APVD
			B	REV PER ECO-07-007230	29MAR07	RG	SF

- △ MINIMUM 5oz. Cu RECOMMENDED FOR USE WITH PC BOARD.
5. ITEMS PROVIDED TO THIS SPECIFICATION TO BE PERMANENTLY IDENTIFIED PER THE FOLLOWING IDENTIFIER:
- YEAR WEEK
- TYCO PART NUMBER DATE CODE (e.g. 0625)
- XXXXXXX-X XXXX
4. ALL DIMENSIONS SHOWN ACROSS A CENTERLINE (C) SHALL BE CENTRALIZED WITHIN THE TOLERANCE INDICATED FOR THAT DIMENSION.
3. FINISHES:
 CROWN HOLDER: GOLD PLATED, .000030 MIN THICK WITH OVERALL GOLD FLASH
 OVER NICKEL PLATED, .000040 MIN THICK
2. MATERIALS:
 INSULATOR: THERMOPLASTIC, GLASS REINFORCED, UL94V-0 FLAMMABILITY RATED, COLOR-BLACK
 CROWN HOLDER: COPPER ALLOY
 CROWN BAND: COPPER ALLOY
 MATING BLADE: COPPER ALLOY WITH GOLD OR NICKEL PLATED
1. PART NUMBER CHANGES AND OR DESIGN CHANGES AFFECTING ITEM INTERCHANGEABILITY REQUIRE PRIOR ELCON APPROVAL AND AUTHORIZATION BY REVISION TO THIS DRAWING.



BEFORE ASSEMBLED

AS SHOWN	1643902-1
DESCRIPTION	PART NUMBER

THIS DRAWING IS A CONTROLLED DOCUMENT.		DWN 02/25/06 HA/GRZYBOWSKI	Tyco Electronics Corporation Harrisburg, PA 17105-3608	
DIMENSIONS: INCHES		CHK -		
TOLERANCES UNLESS OTHERWISE SPECIFIED:		APVD 02/25/06 CHAU/FLICKINGER	NAME CONNECTOR, CROWN CLIP DOUBLE POLE, FEED THRU	
0 PLC ± - 1 PLC ± - 2 PLC ± .02 [.3] 3 PLC ± .010 [0.25] 4 PLC ± - ANGLES ± .5		PRODUCT SPEC -	RESTRICTED TO -	
MATERIAL -		APPLICATION SPEC -	SIZE A3	CAGE CODE 00779
FINISH -		WEIGHT -	DRAWING NO C-1643902	
CUSTOMER DRAWING			SCALE 2:1	SHEET 1 OF 3
			REV B	

THIS DRAWING IS UNPUBLISHED.

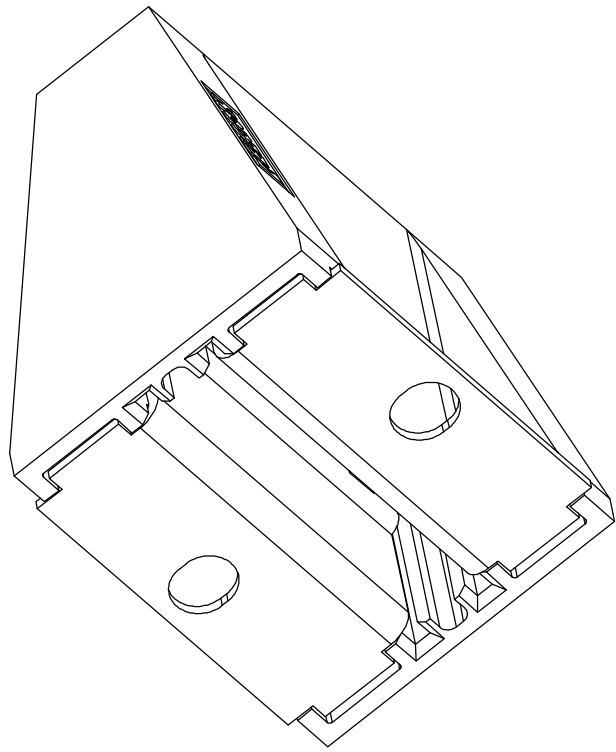
RELEASED FOR PUBLICATION

© COPYRIGHT - BY TYCO ELECTRONICS CORPORATION. ALL RIGHTS RESERVED.

LOC GP DIST 00

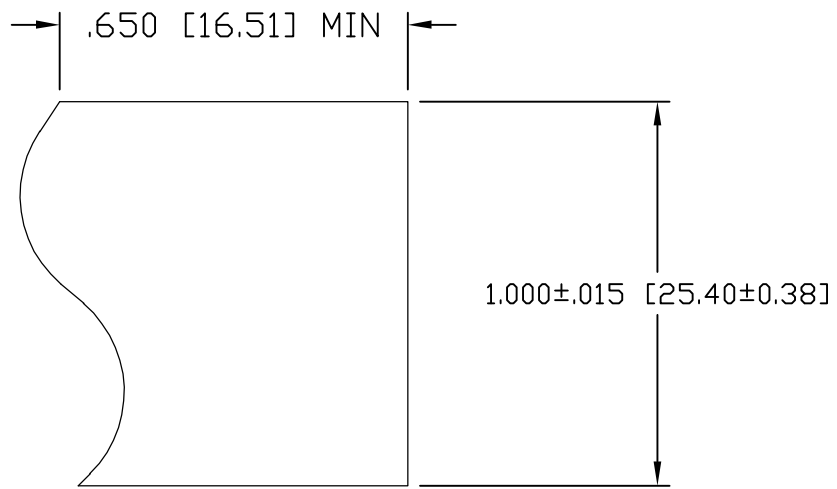
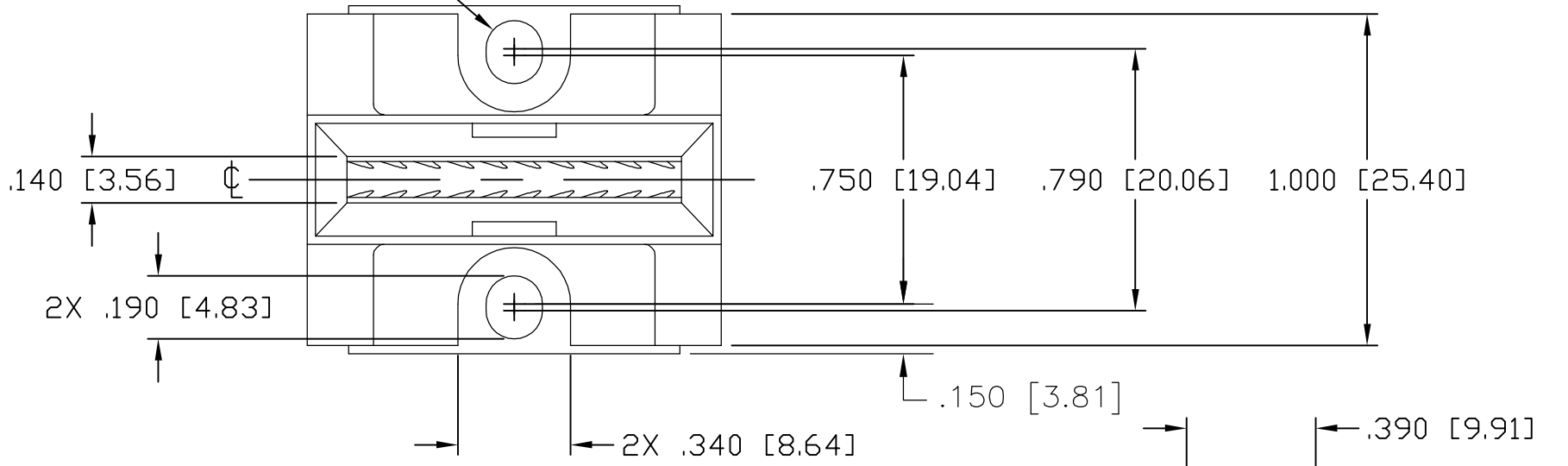
REVISIONS

P	LTR	DESCRIPTION	DATE	DWN	APVD
-	-	SEE SHEET 1	-	-	-

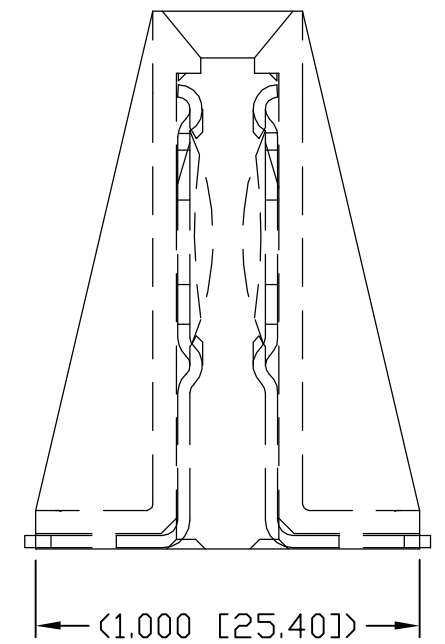
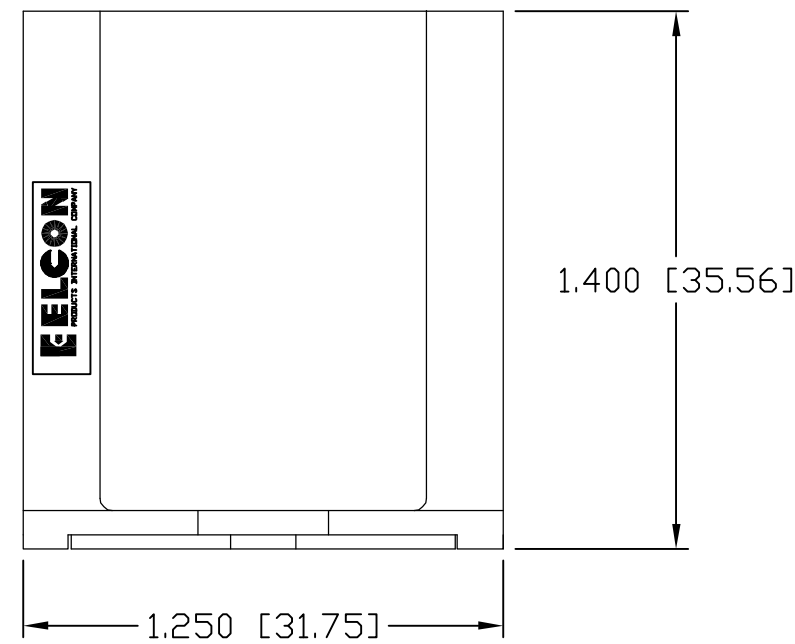


FEED-THRU VIEW

4X R.085 [R2.16]
(CLEARANCE SLOT
FOR #8 OR M4 SCREW)



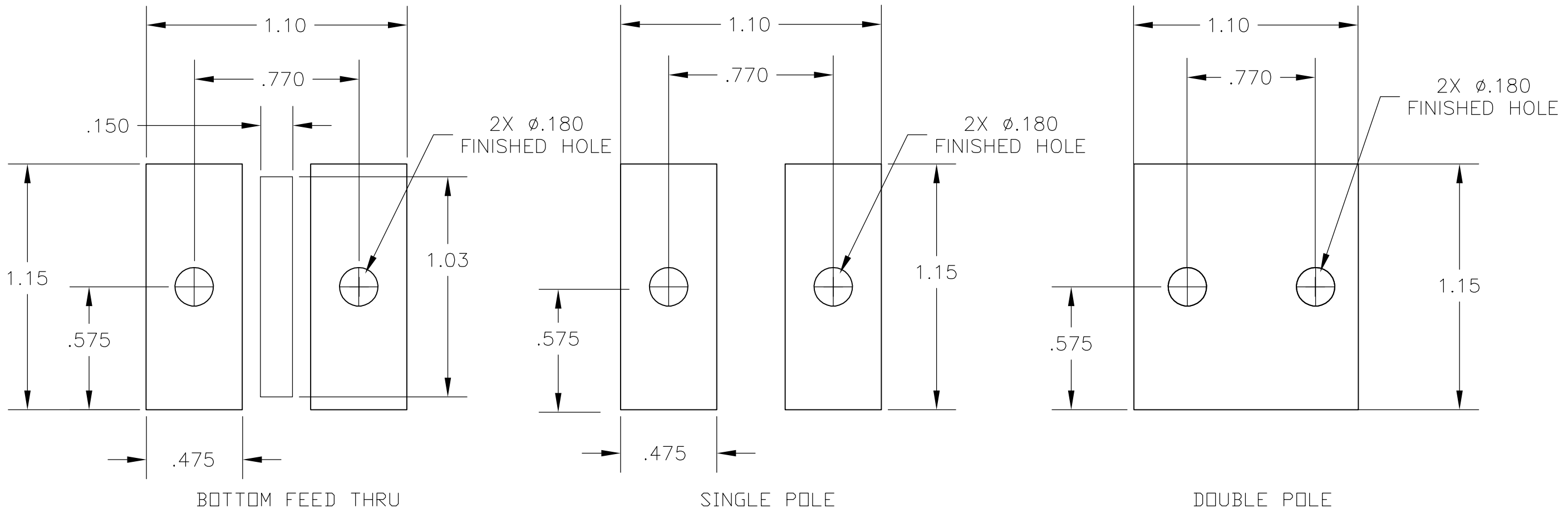
RECOMMENDED MATING BLADE



THIS DRAWING IS A CONTROLLED DOCUMENT.		DWN 02/25/06 HA/GRZYBOWSKI	tyco Tyco Electronics Corporation Electronics Harrisburg, PA 17105-3608	
DIMENSIONS: INCHES	TOLERANCES UNLESS OTHERWISE SPECIFIED:	CHK -	NAME CONNECTOR, CROWN CLIP DOUBLE POLE, FEED THRU	
	0 PLC ± -	APVD 02/25/06 CHAU/Flickinger	PRODUCT SPEC	
	1 PLC ± -	APPLICATION SPEC	SIZE CAGE CODE DRAWING NO RESTRICTED TO	
MATERIAL	FINISH	WEIGHT -	A3 00779	C=1643902
CUSTOMER DRAWING			SCALE 2:1	SHEET 2 OF 3 REV B

THIS DRAWING IS UNPUBLISHED. RELEASED FOR PUBLICATION
 © COPYRIGHT - BY TYCO ELECTRONICS CORPORATION. ALL RIGHTS RESERVED.

LOC	DIST	REVISIONS					
GP	00	P	LTR	DESCRIPTION	DATE	DWN	APVD
		-		SEE SHEET 1	-	-	-



RECOMMENDED PCB PAD LAYOUT

THIS DRAWING IS A CONTROLLED DOCUMENT.		DWN	02/25/06		tyco Electronics	Tyco Electronics Corporation	
		CHK	-			Harrisburg, PA 17105-3608	
DIMENSIONS:	TOLERANCES UNLESS OTHERWISE SPECIFIED:	APVD	02/25/06		NAME		
INCHES		CHAU/FLICKINGER			CONNECTOR, CROWN CLIP		
	0 PLC ± -	PRODUCT SPEC			DOUBLE POLE, FEED THRU		
	1 PLC ± -	APPLICATION SPEC			SIZE	CAGE CODE	DRAWING NO
	2 PLC ± .02 [.3]				A3	00779	C-1643902
	3 PLC ± .010 [0.25]				RESTRICTED TO		
	4 PLC ± -				-		
	ANGLES ± .5	WEIGHT	-		SCALE		
MATERIAL	FINISH		-		2:1		
-	-	CUSTOMER DRAWING		SHEET	3 OF 3		REV
							B