



Chipsmall Limited consists of a professional team with an average of over 10 year of expertise in the distribution of electronic components. Based in Hongkong, we have already established firm and mutual-benefit business relationships with customers from,Europe,America and south Asia,supplying obsolete and hard-to-find components to meet their specific needs.

With the principle of "Quality Parts,Customers Priority,Honest Operation,and Considerate Service",our business mainly focus on the distribution of electronic components. Line cards we deal with include Microchip,ALPS,ROHM,Xilinx,Pulse,ON,Everlight and Freescale. Main products comprise IC,Modules,Potentiometer,IC Socket,Relay,Connector.Our parts cover such applications as commercial,industrial, and automotives areas.

We are looking forward to setting up business relationship with you and hope to provide you with the best service and solution. Let us make a better world for our industry!



Contact us

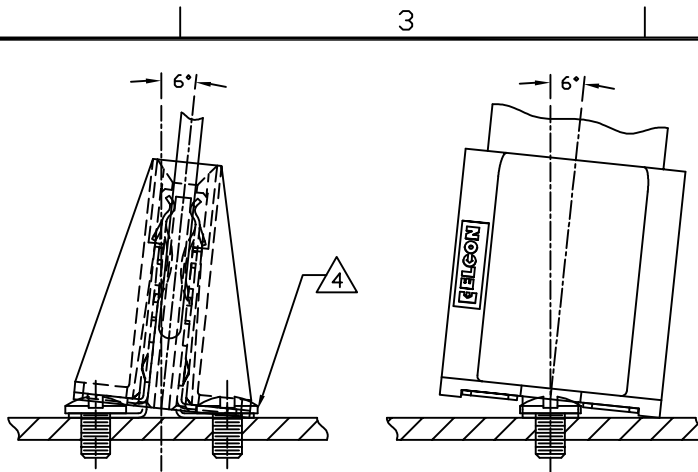
Tel: +86-755-8981 8866 Fax: +86-755-8427 6832

Email & Skype: info@chipsmall.com Web: www.chipsmall.com

Address: A1208, Overseas Decoration Building, #122 Zhenhua RD., Futian, Shenzhen, China

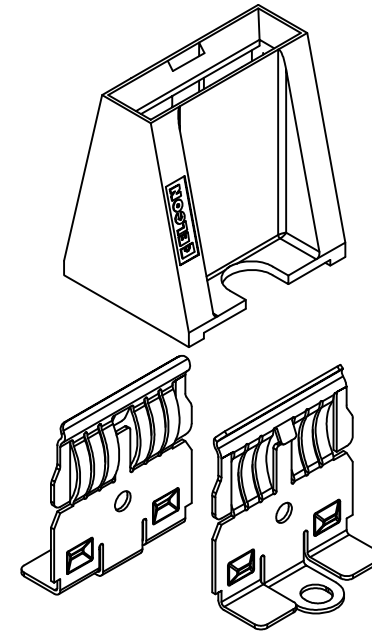


This drawing involves proprietary design rights of Tyco Electronics Corporation, and all design, manufacture, reproduction, use and sale rights regarding the same are expressly reserved. It is submitted for a specific purpose and the recipient by accepting this drawing, assumes custody and control and agrees to take reasonable precautions: (a) that this drawing will not be copied and reproduced, in whole or in part, or its contents revealed in any manner, or to any person except to meet the purpose for which it was delivered and (b) that any special features peculiar to this design will not be incorporated in other projects without the expressed written permission of Tyco Electronics Corporation.



CONNECTOR SHOWN AT 6° OF FLOAT
(SCREWS ARE SHOWN FOR REFERENCE ONLY)

REVISIONS			
EC	REV	DESCRIPTION	DATE
—	A	NEW RELEASE, PREVIOUSLY CUD 399-024	02/25/06



BEFORE ASSEMBLED

6. ITEMS PROVIDED TO THIS SPECIFICATION TO BE PERMANENTLY IDENTIFIED PER THE FOLLOWING IDENTIFIER:

YEAR WEEK
 TYCO PART NUMBER DATE CODE (e.g. 0625)
 XXXXXXXX-X XXXX

5. ALL DIMENSIONS SHOWN ACROSS A CENTERLINE (⊥) SHALL BE CENTRALIZED WITHIN THE TOLERANCE INDICATED FOR THAT DIMENSION.

4. USER SUPPLIED MOUNTING HARDWARE: #8 OR M4 SCREWS (2X).

3. FINISHES:

CONTACT: GOLD PLATED, .000030 MIN THICK
 OVER NICKEL PLATED, .000040 MIN THICK

2. MATERIALS:

INSULATOR: THERMOPLASTIC, GLASS REINFORCED,
 UL94V-0 FLAMMABILITY RATED, COLOR-BLACK

CONTACT: COPPER ALLOY

MATING BLADE: COPPER ALLOY WITH GOLD OR NICKEL PLATED

1. PART NUMBER CHANGES AND OR DESIGN CHANGES AFFECTING ITEM INTERCHANGEABILITY REQUIRE PRIOR ELCON APPROVAL AND AUTHORIZATION BY REVISION TO THIS DRAWING.

NOTES: UNLESS OTHERWISE SPECIFIED

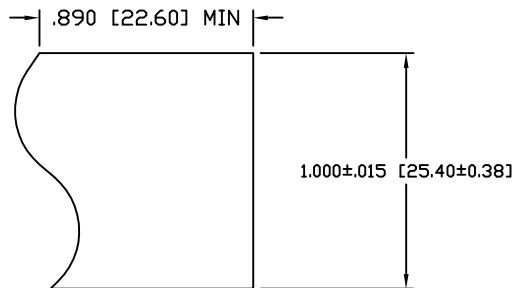
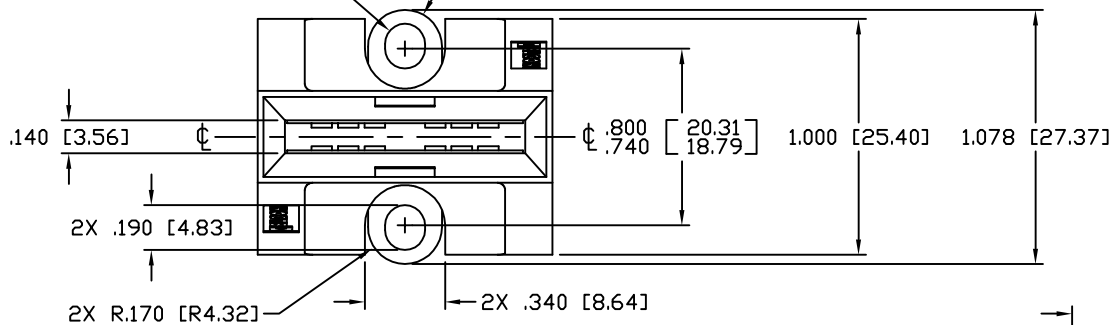
INCH OR INCH (MM) THIRD ANGLE PROJECTION UNLESS OTHERWISE SPECIFIED DIMENSIONS ARE IN INCHES (METRIC) TOLERANCES ANGLES ± .5° DECIMALS .XXX ± .010 (.25) .XX ± .02 (.3)	DRAWN HA NGUYEN	DATE 02/25/06	1643903-1	AS SHOWN
	CHECKED		PART NUMBER	DESCRIPTION
	APPROVED		tyco Tyco Electronics Corporation Electronics Menlo Park, Ca 94025 ELCON	
	APPROVED STEVE FLICKINGER	02/25/06	TITLE CONNECTOR, SOCKET STRAIGHT MOUNT, CROWN CLIP II	
APPROVED DCA APPROVED	02/25/06	HA NGUYEN	SIZE DWG NUMBER B C = 1643903	REV. A
ACAD FILE NUMBER	C1643903A.DWG		DWG SCALE 2=1	SH 1 OF 2

This drawing involves proprietary design rights of Tyco Electronics Corporation, and all design, manufacture, reproduction, use and sale rights regarding the same are expressly reserved. It is submitted for a specific purpose and the recipient by accepting this drawing, assumes custody and control and agrees to take reasonable precautions: (a) that this drawing will not be copied and reproduced, in whole or in part, or its contents revealed in any manner, or to any person except to meet the purpose for which it was delivered and (b) that any special features peculiar to this design will not be incorporated in other projects without the expressed written permission of Tyco Electronics Corporation.

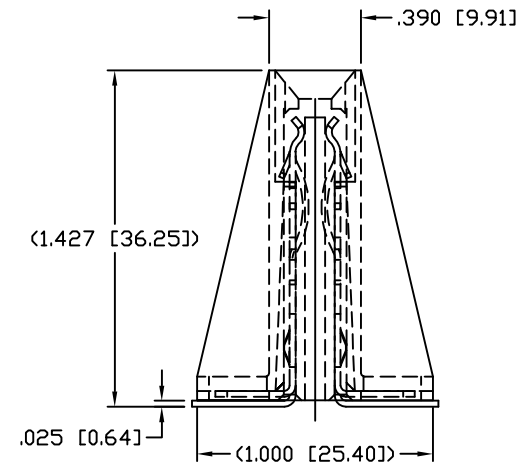
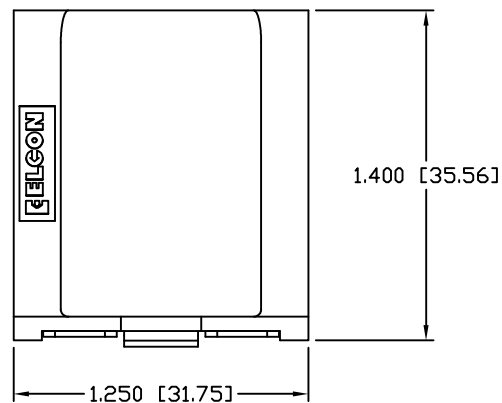
REVISIONS			
EC	REV	DESCRIPTION	DATE
		SEE SHEET 1	

4X R.085 [R2.16]
(CLEARANCE SLOT
FOR #8 OR M4 SCREW)

2X R.157 [R3.99]



RECOMMENDED MATING BLADE



<small>INCH OR INCH (MM)</small> <small>THIRD ANGLE PROJECTION</small> <small>UNLESS OTHERWISE SPECIFIED DIMENSIONS ARE IN INCHES (METRIC)</small> <small>TOLERANCES</small> <small>ANGLES ± .5°</small> <small>DECIMALS</small> <small>.XXX ± .010 (.25)</small> <small>.XX ± .02 (.5)</small>	<small>DRAWN</small> HA NGUYEN	<small>DATE</small> 02/25/06	Tyco Electronics Corporation Menlo Park, Ca 94025 	
	<small>CHECKED</small> (blank)	<small>TITLE</small> CONNECTOR, SOCKET STRAIGHT MOUNT, CROWN CLIP II		
	<small>APPROVED</small> (blank)	<small>APPROVED</small> STEVE FLICKINGER	<small>DATE</small> 02/25/06	<small>SIZE</small> B
	<small>APPROVED</small> DCA APPROVED HA NGUYEN	<small>DATE</small> 02/25/06	<small>DWG NUMBER</small> C = 1643903	<small>REV.</small> A
<small>ACAD FILE NUMBER</small> C1643903A.DWG	<small>DWG SCALE</small> 2=1		<small>SH</small> 2 OF 2	