



Chipsmall Limited consists of a professional team with an average of over 10 year of expertise in the distribution of electronic components. Based in Hongkong, we have already established firm and mutual-benefit business relationships with customers from,Europe,America and south Asia,supplying obsolete and hard-to-find components to meet their specific needs.

With the principle of “Quality Parts,Customers Priority,Honest Operation,and Considerate Service”,our business mainly focus on the distribution of electronic components. Line cards we deal with include Microchip,ALPS,ROHM,Xilinx,Pulse,ON,Everlight and Freescale. Main products comprise IC,Modules,Potentiometer,IC Socket,Relay,Connector.Our parts cover such applications as commercial,industrial, and automotives areas.

We are looking forward to setting up business relationship with you and hope to provide you with the best service and solution. Let us make a better world for our industry!



## Contact us

Tel: +86-755-8981 8866 Fax: +86-755-8427 6832

Email & Skype: info@chipsmall.com Web: www.chipsmall.com

Address: A1208, Overseas Decoration Building, #122 Zhenhua RD., Futian, Shenzhen, China



|                              |  |                          |  |    |     |      |           |     |                           |         |     |      |
|------------------------------|--|--------------------------|--|----|-----|------|-----------|-----|---------------------------|---------|-----|------|
| THIS DRAWING IS UNPUBLISHED. |  | RELEASED FOR PUBLICATION |  | EC | LOC | DIST | REVISIONS |     |                           |         |     |      |
| © COPYRIGHT - By -           |  | ALL RIGHTS RESERVED.     |  | -  | -   | -    | P         | LTR | DESCRIPTION               | DATE    | DWN | APVD |
|                              |  |                          |  |    |     |      |           | A1  | REVISED PER ECO-11-005150 | 19MAR11 | RK  | HMR  |

5. ITEMS PROVIDED TO THIS SPECIFICATION TO BE PERMANENTLY IDENTIFIED PER THE FOLLOWING IDENTIFIER:

TE CONNECTIVITY PART NUMBER DATE CODE (e.g. 0625) YEAR WEEK  
 XXXXXXXX-X XXXX

4. ALL DIMENSIONS SHOWN ACROSS A CENTERLINE (∅) SHALL BE CENTRALIZED WITHIN THE TOLERANCE INDICATED FOR THAT DIMENSION.

3. FINISHES:  
 CROWN HOLDER: GOLD PLATED, .000030 MIN THICK WITH OVERALL GOLD FLASH  
 OVER NICKEL PLATED, .000040 MIN THICK

2. MATERIALS:  
 INSULATOR: THERMOPLASTIC, GLASS REINFORCED, UL94V-0 FLAMMABILITY RATED, COLOR-BLACK

CROWN HOLDER: COPPER ALLOY  
 CROWN BAND: COPPER ALLOY  
 MATING BLADE: COPPER ALLOY WITH GOLD OR NICKEL PLATED

1. PART NUMBER CHANGES AND OR DESIGN CHANGES AFFECTING ITEM INTERCHANGEABILITY REQUIRE PRIOR ELCON APPROVAL AND AUTHORIZATION BY REVISION TO THIS DRAWING.

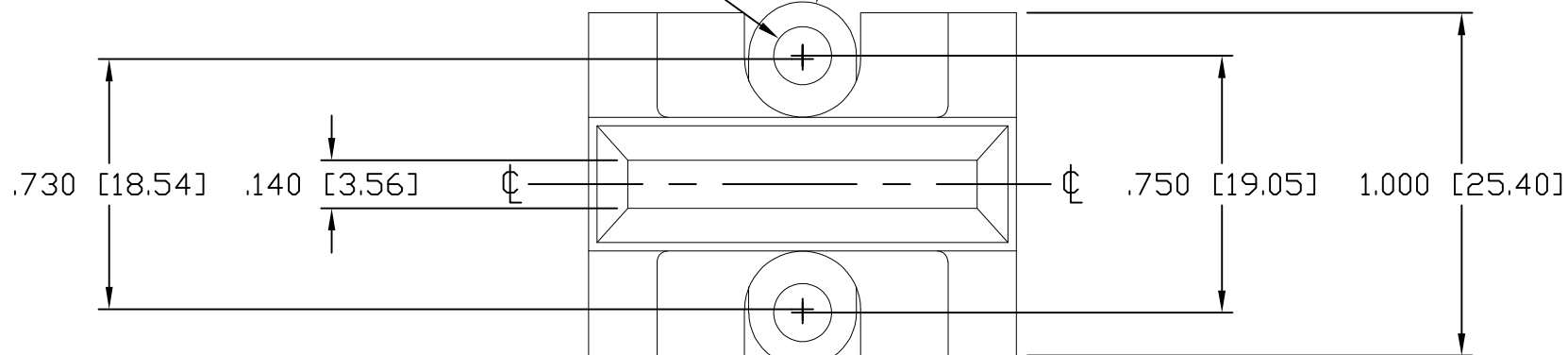
NOTES: UNLESS OTHERWISE SPECIFIED

|             |             |
|-------------|-------------|
| 1643906-1   | AS SHOWN    |
| PART NUMBER | DESCRIPTION |

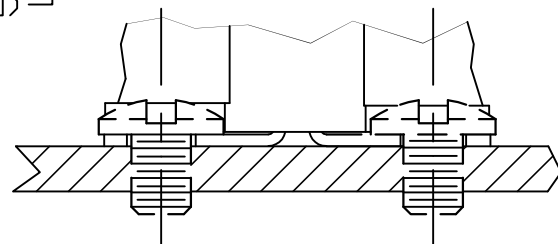
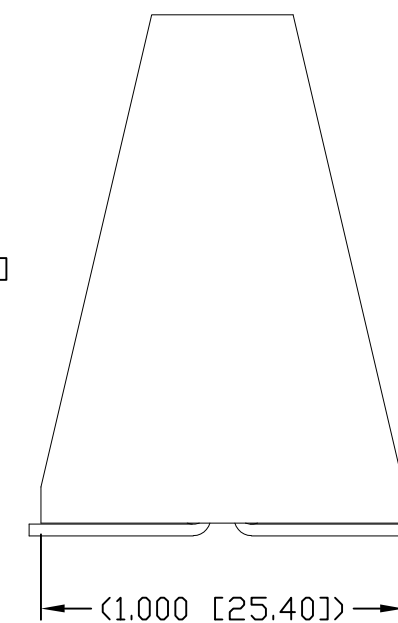
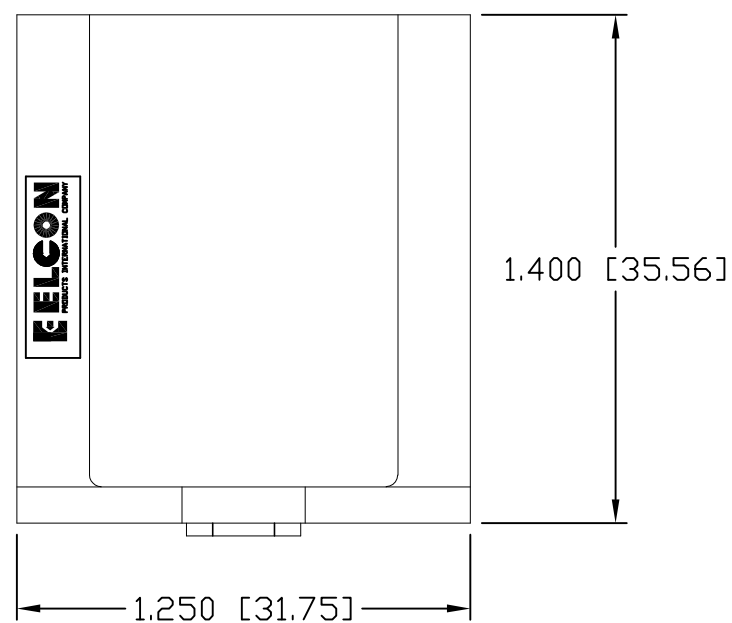
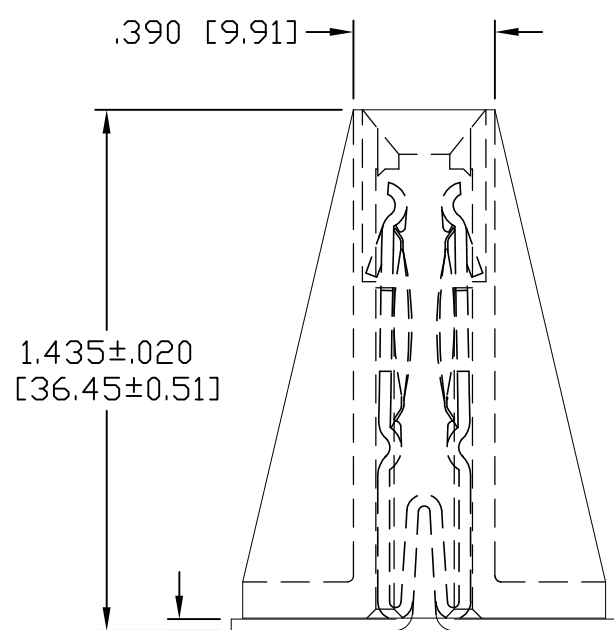
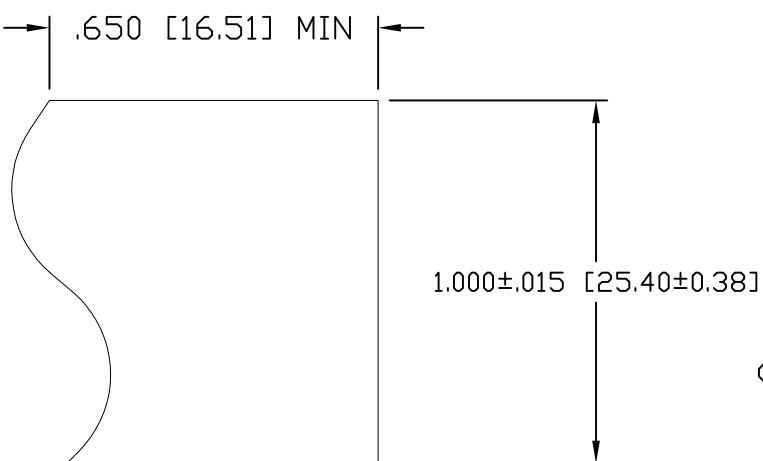
|  |  |  |          |                            |           |   |               |
|--|--|--|----------|----------------------------|-----------|---|---------------|
| THIS DRAWING IS A CONTROLLED DOCUMENT. |  | DWN                                    | 02/25/06 | <b>STE</b> TE Connectivity |           |   |               |
|  |  | HA NGUYEN                              | -        |                            |           |   |               |
| DIMENSIONS: INCH(MM)                   |  | TOLERANCES UNLESS OTHERWISE SPECIFIED: |          | APVD                       | 02/25/06  | NAME  |               |
|  |  | 0 PLC ± -                              |          | STEVE FLICKINGER           |           | CONNECTOR, CROWN CLIP SINGLE POLE APPLICATION |               |
|  |  | 1 PLC ± -                              |          | PRODUCT SPEC               |           |   |               |
|  |  | 2 PLC ± 0.02(0.3)                      |          | APPLICATION SPEC           |           |   |               |
|  |  | 3 PLC ± 0.10(0.25)                     |          |                            |           |   |               |
|  |  | 4 PLC ± -                              |          |                            |           |   |               |
|  |  | ANGLES ± 0.5°                          |          |                            |           |   |               |
| MATERIAL                               |  | FINISH                                 |          | SIZE                       | CAGE CODE | DRAWING NO                                    | RESTRICTED TO |
|  |  |  |          | A3                         | 00779     | C-1643906                                     | -             |
| CUSTOMER DRAWING                       |  |  |          | SCALE                      | 2:1       | SHEET   | 1 OF 2        |
|  |  |  |          |                            |           | REV   | A1            |

2X  $\phi$ .170 [ $\phi$ 4.32]  
 (CLEARANCE FOR  
 #8 OR M4 SCREW)

2X R.157 [R3.99]



.390 [9.91]      2X .340 [8.64]



BACKPLANE ATTACHMENT

.125±.002 [3.17±0.05] — SCREWS ARE SHOWN FOR REFERENCE ONLY

RECOMMENDED MATING BLADE

|  |              |  |                            |                    |                         |   |           |
|--|--------------|--|----------------------------|--------------------|-------------------------|---|-----------|
| THIS DRAWING IS A CONTROLLED DOCUMENT. |              | DWN<br>HA NGUYEN<br>02/25/06           | <b>STE</b> TE Connectivity |                    |                         |   |           |
| DIMENSIONS:<br>INCH(MM)                |              | CHK<br>—                               |                            |                    |                         | NAME<br>CONNCTOR, CROWN CLIP<br>SINGLE POLE APPLICATION |           |
|  |              | APVD<br>STEVE FLICKINGER<br>02/25/06   | PRODUCT SPEC<br>—          |                    |                         |   |           |
|  |              | TOLERANCES UNLESS OTHERWISE SPECIFIED: |                            |                    |                         | APPLICATION SPEC<br>—                                   |           |
| MATERIAL                               |              | —                                      | SIZE<br>A3                 | CAGE CODE<br>00779 | DRAWING NO<br>C-1643906 |   |           |
| FINISH                                 |              | —                                      | CUSTOMER DRAWING           |                    | SCALE<br>2:1            | SHEET<br>2 OF 2   | REV<br>A1 |
| 0 PLC                                  | ± -          |  |                            |                    |                         |   |           |
| 1 PLC                                  | ± -          |  |                            |                    |                         |   |           |
| 2 PLC                                  | ± 0.02(0.3)  |  |                            |                    |                         |   |           |
| 3 PLC                                  | ± 0.10(0.25) |  |                            |                    |                         |   |           |
| 4 PLC                                  | ± -          |  |                            |                    |                         |   |           |
| ANGLES                                 | ± 0.5°       |  |                            |                    |                         |   |           |