



Chipsmall Limited consists of a professional team with an average of over 10 year of expertise in the distribution of electronic components. Based in Hongkong, we have already established firm and mutual-benefit business relationships with customers from,Europe,America and south Asia,supplying obsolete and hard-to-find components to meet their specific needs.

With the principle of “Quality Parts,Customers Priority,Honest Operation,and Considerate Service”,our business mainly focus on the distribution of electronic components. Line cards we deal with include Microchip,ALPS,ROHM,Xilinx,Pulse,ON,Everlight and Freescale. Main products comprise IC,Modules,Potentiometer,IC Socket,Relay,Connector.Our parts cover such applications as commercial,industrial, and automotives areas.

We are looking forward to setting up business relationship with you and hope to provide you with the best service and solution. Let us make a better world for our industry!



## Contact us

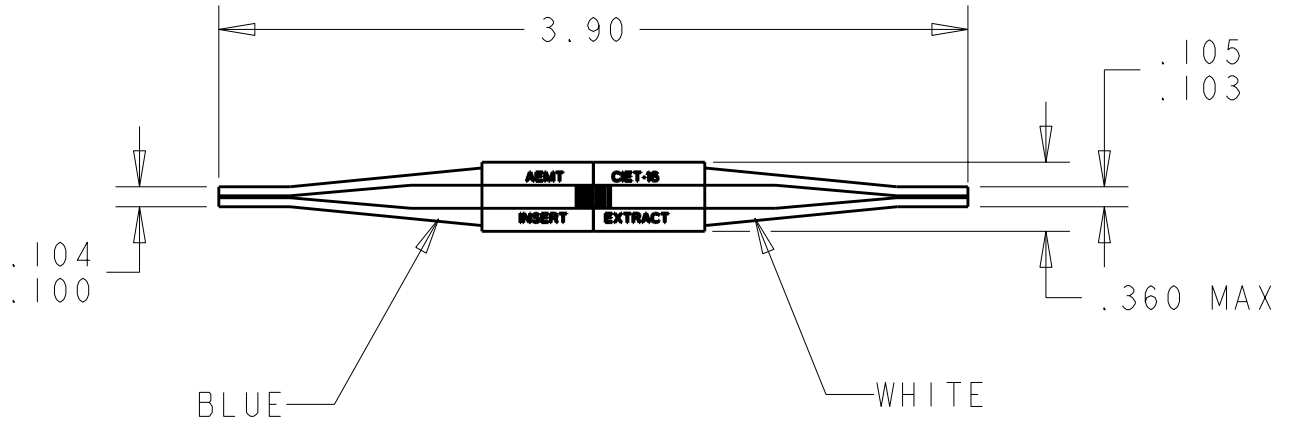
Tel: +86-755-8981 8866 Fax: +86-755-8427 6832

Email & Skype: info@chipsmall.com Web: www.chipsmall.com

Address: A1208, Overseas Decoration Building, #122 Zhenhua RD., Futian, Shenzhen, China



LOC	DIST	REVISIONS					
		P	LTR	DESCRIPTION	DATE	DWN	APVD
-	-		A	NEW RELEASE	17OCT2008	CR	DO



- PART NUMBER CHANGES AND OR DESIGN CHANGES AFFECTING ITEM INTERCHANGEABILITY REQUIRE PRIOR TYCO ELECTRONICS APPROVAL AND AUTHORIZATION BY REVISION TO THIS DRAWING.
- MATERIAL: THERMOPLASTIC  
COLOR: BLUE/WHITE
- INSERTION/EXTRACTION TOOL FOR USE ON INSERTABLE/REMOVABLE CONTACT SIZE #16

AS SHOWN	1643916-1
DESCRIPTION	PART NO.

DIMENSIONS: INCHES	DWN C. ROHLER	17OCT2008	MATERIAL	-	FINISH	-
	CHK D. ORRIS	17OCT2008	Tyco Electronics Harrisburg, PA 17105-3608			
TOLERANCES UNLESS OTHERWISE SPECIFIED:	APVD M. PERCHERKE	17OCT2008				
0 PLC ±-	PRODUCT SPEC	-	NAME INSERTION/REMOVAL TOOL SIZE #16 BLUE/WHITE, DOMINO/DRAWERS			
1 PLC ±-	APPLICATION SPEC	-	SIZE	CAGE CODE	DRAWING NO	RESTRICTED TO
2 PLC ±.02	WEIGHT	-	A4	00779	C-1643916	-
3 PLC ±.010			CUSTOMER DRAWING			
4 PLC ±-			SCALE	:	SHEET	OF
ANGLES ±5						REV
						A