



Chipsmall Limited consists of a professional team with an average of over 10 year of expertise in the distribution of electronic components. Based in Hongkong, we have already established firm and mutual-benefit business relationships with customers from,Europe,America and south Asia,supplying obsolete and hard-to-find components to meet their specific needs.

With the principle of “Quality Parts,Customers Priority,Honest Operation,and Considerate Service”,our business mainly focus on the distribution of electronic components. Line cards we deal with include Microchip,ALPS,ROHM,Xilinx,Pulse,ON,Everlight and Freescale. Main products comprise IC,Modules,Potentiometer,IC Socket,Relay,Connector.Our parts cover such applications as commercial,industrial, and automotives areas.

We are looking forward to setting up business relationship with you and hope to provide you with the best service and solution. Let us make a better world for our industry!



Contact us

Tel: +86-755-8981 8866 Fax: +86-755-8427 6832

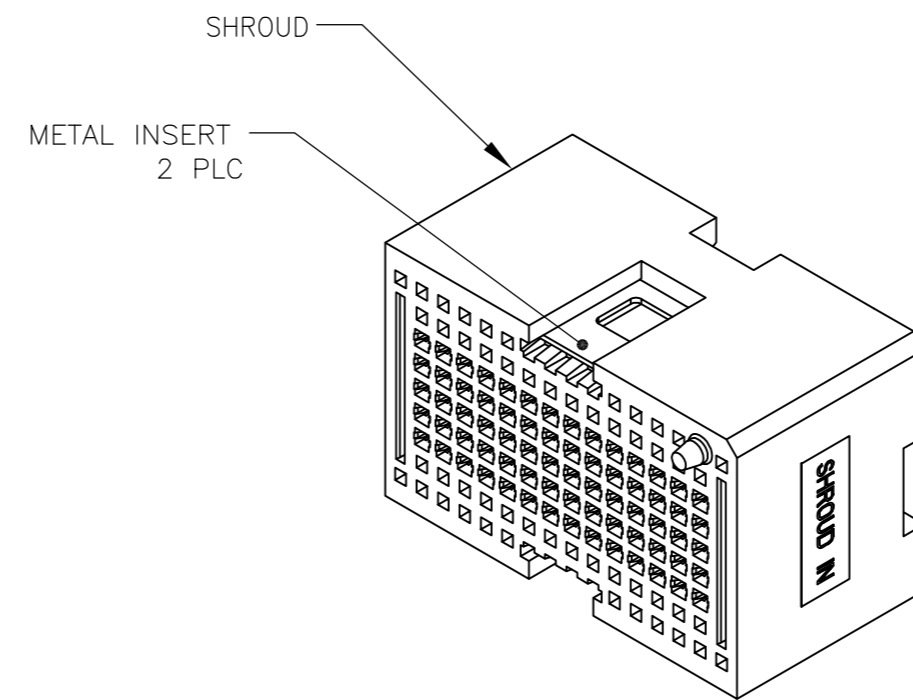
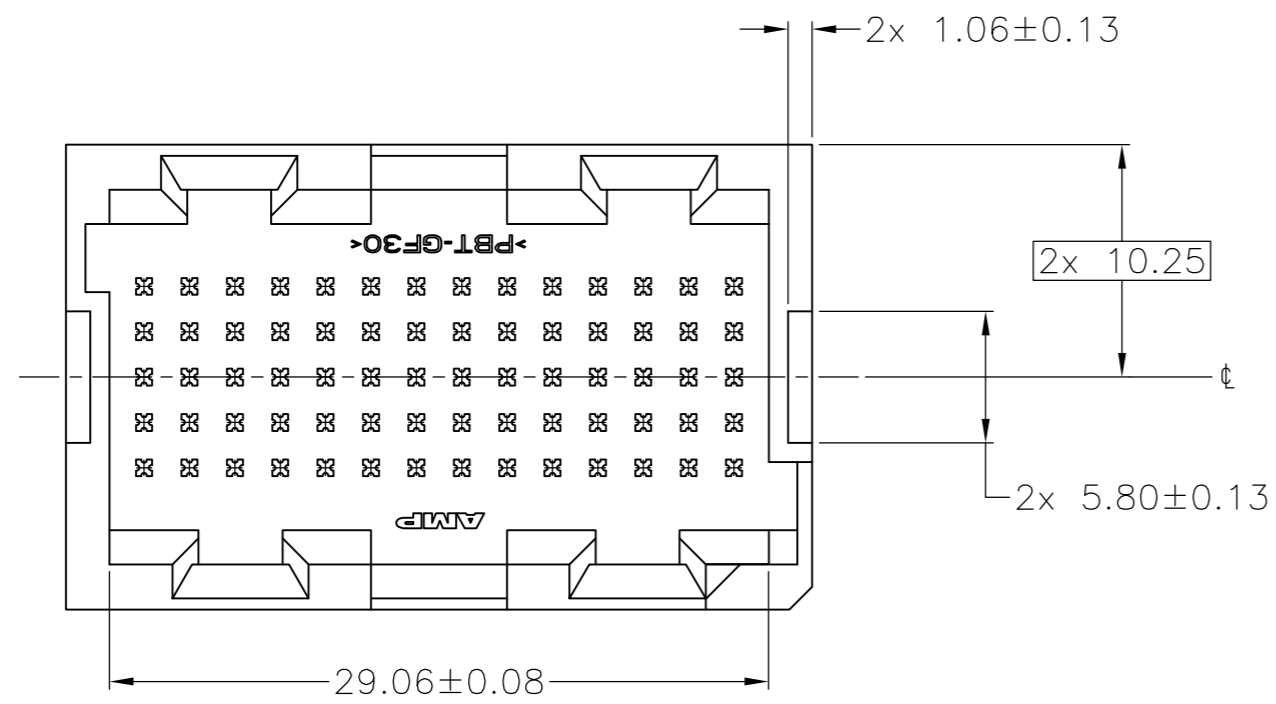
Email & Skype: info@chipsmall.com Web: www.chipsmall.com

Address: A1208, Overseas Decoration Building, #122 Zhenhua RD., Futian, Shenzhen, China

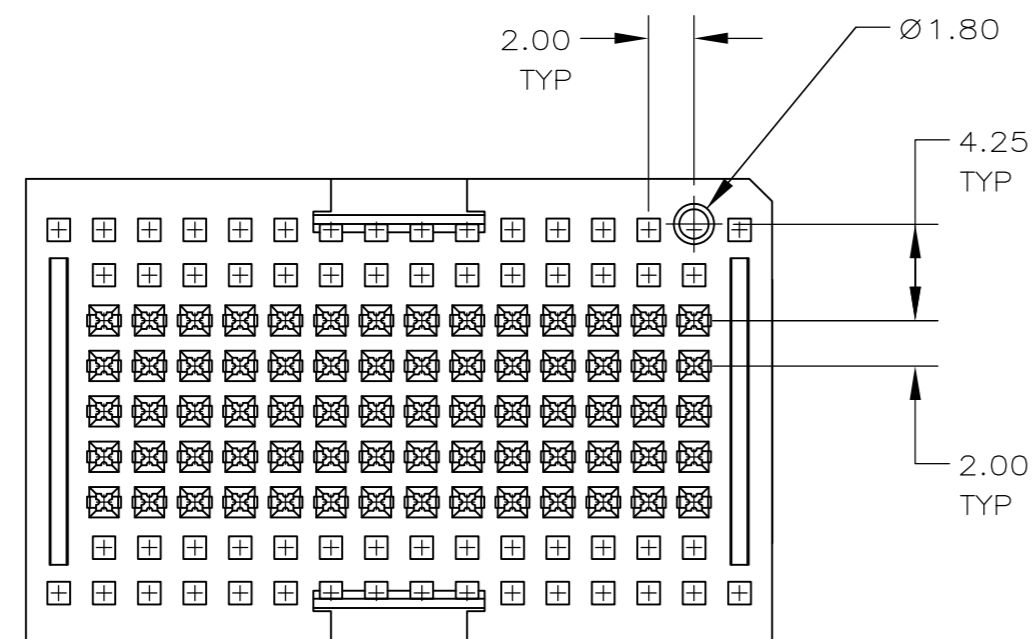
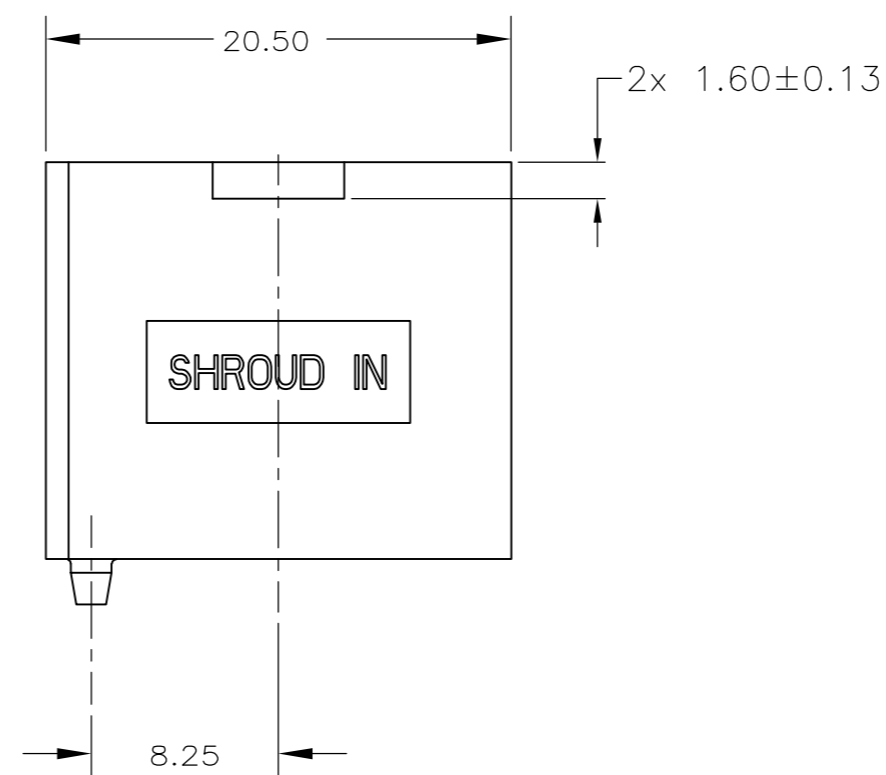
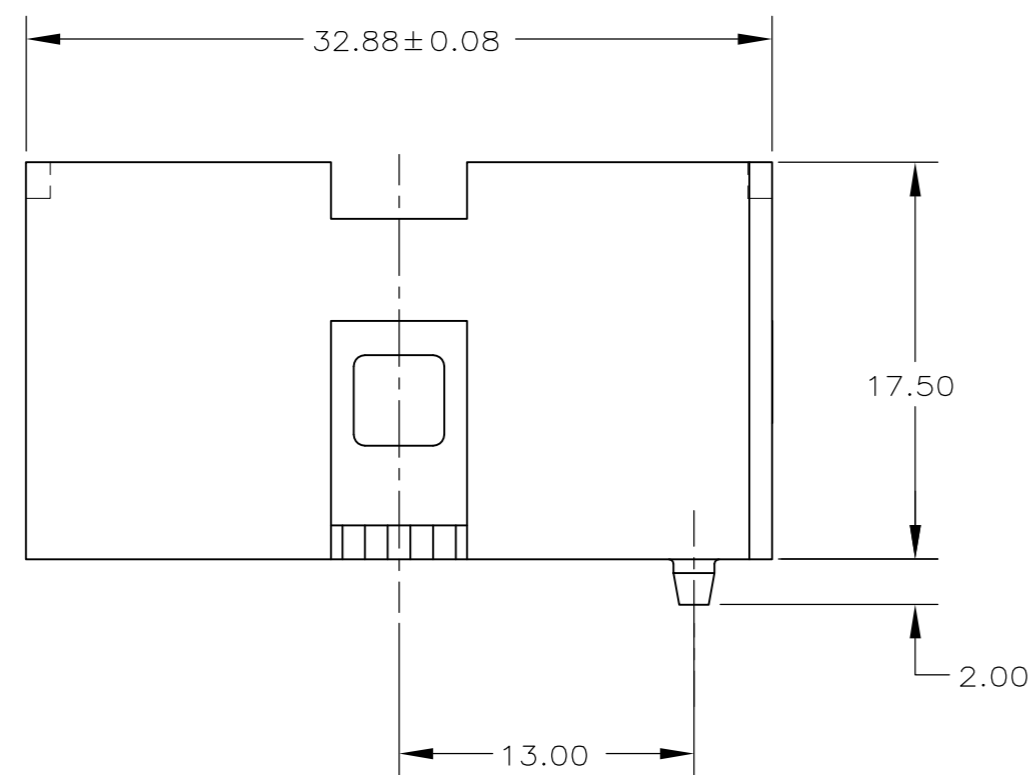


THIS DRAWING IS UNPUBLISHED. RELEASED FOR PUBLICATION
 © COPYRIGHT 19 BY TYCO ELECTRONICS CORPORATION. ALL RIGHTS RESERVED.

LOC	DIST	REVISIONS			
P	LTR	DESCRIPTION	DATE	DWN	APVD
AD	00				
	0	RELEASED PER EC OS12-0536-04	20DEC04	BM	GS
	A	ECR-10-019054	15SEP10	DP	MQW



- 1 SHROUD: POLYESTER, NATURAL.
METAL INSERTS: STAINLESS STEEL.
- 2 RECOMENDED INSERTION TOOL P/N 91330-1,
I.S. SHEET 408-4578.



1645282-1
 PART NUMBER

THIS DRAWING IS A CONTROLLED DOCUMENT.		DWN B. MCMASTER 09NOV04	Tyco Electronics Corporation Harrisburg, Pa 17105-3608	
DIMENSIONS: mm		CHK G. SKIPPER 09NOV04	NAME SHROUD ASSEMBLY, IN, 70 POSITION, 5 ROW, Z-PACK, 2mm HM MLCC	
TOLERANCES UNLESS OTHERWISE SPECIFIED: 6-PLC ± 1-PLC ± 2-PLC ± 0.13 ±0.2 3-PLC ± 4-PLC ± ANGLES ±		APVD G. SKIPPER 09NOV04	PRODUCT SPEC APPLICATION SPEC	
MATERIAL 1		FINISH -	WEIGHT -	RESTRICTED TO -
CUSTOMER DRAWING		SIZE A2	CAGE CODE 00779	DRAWING NO C=1645282
		SCALE 3:1	SHEET 1 OF 1	REV A