



Chipsmall Limited consists of a professional team with an average of over 10 year of expertise in the distribution of electronic components. Based in Hongkong, we have already established firm and mutual-benefit business relationships with customers from,Europe,America and south Asia,supplying obsolete and hard-to-find components to meet their specific needs.

With the principle of “Quality Parts,Customers Priority,Honest Operation,and Considerate Service”,our business mainly focus on the distribution of electronic components. Line cards we deal with include Microchip,ALPS,ROHM,Xilinx,Pulse,ON,Everlight and Freescale. Main products comprise IC,Modules,Potentiometer,IC Socket,Relay,Connector.Our parts cover such applications as commercial,industrial, and automotives areas.

We are looking forward to setting up business relationship with you and hope to provide you with the best service and solution. Let us make a better world for our industry!



## Contact us

Tel: +86-755-8981 8866 Fax: +86-755-8427 6832

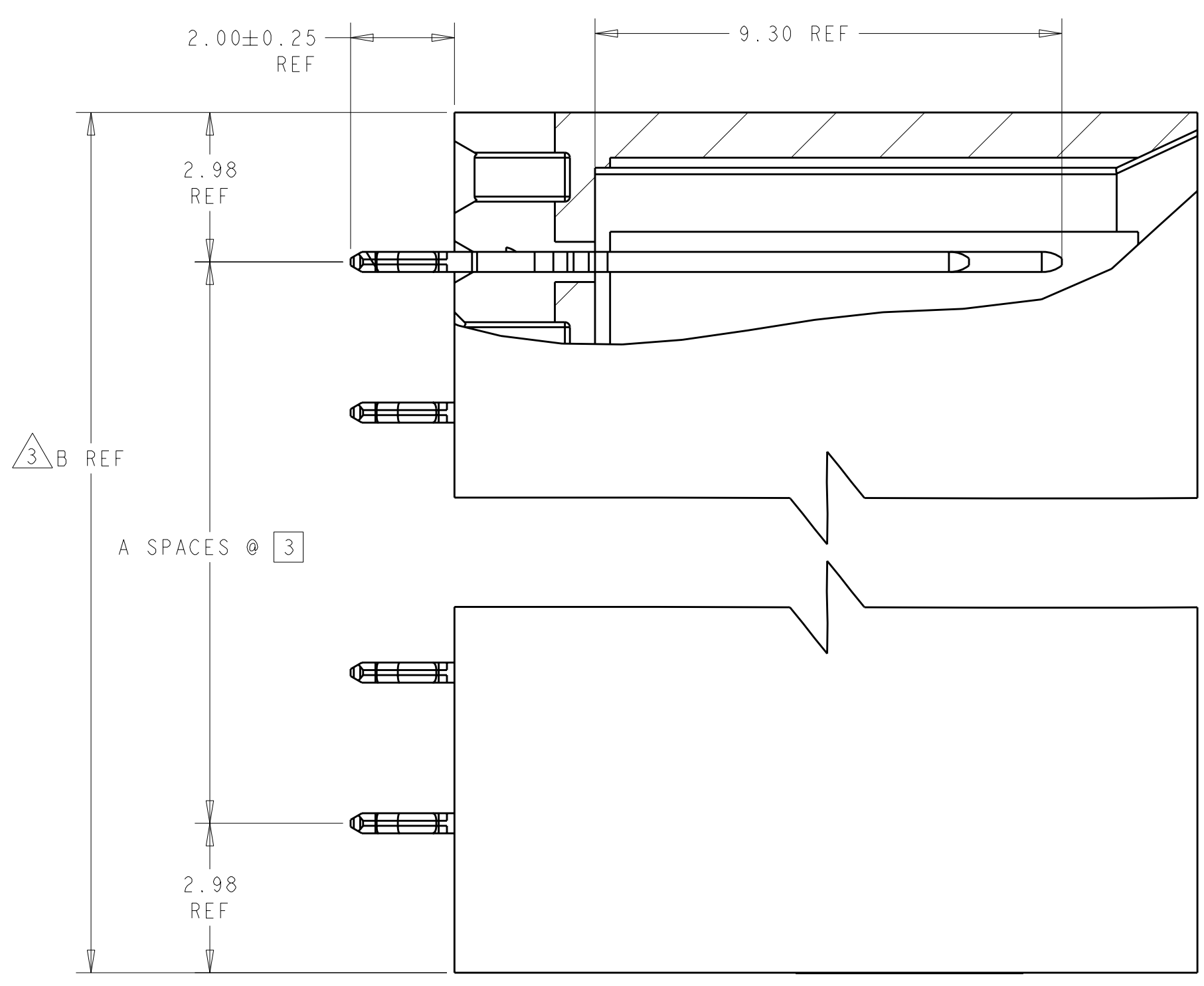
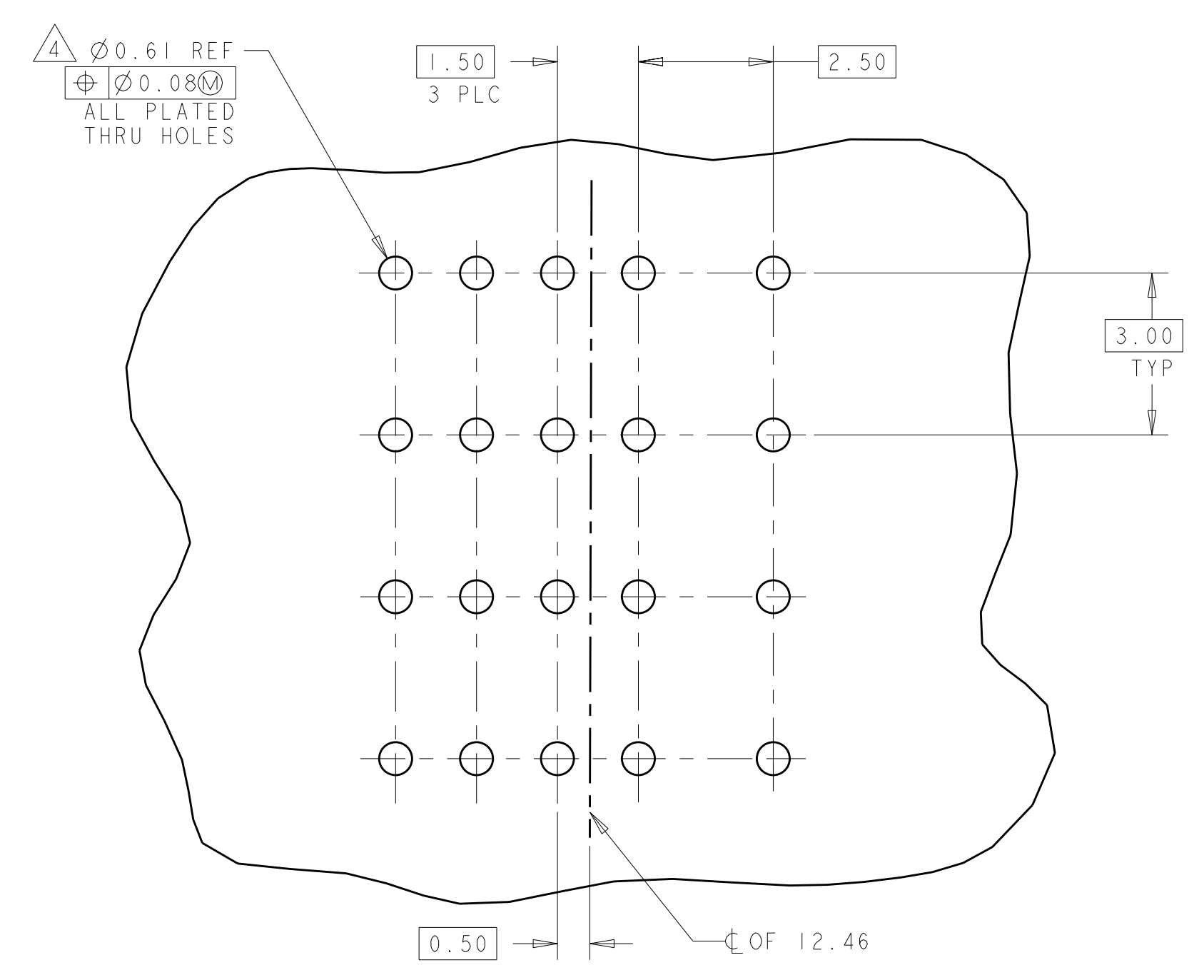
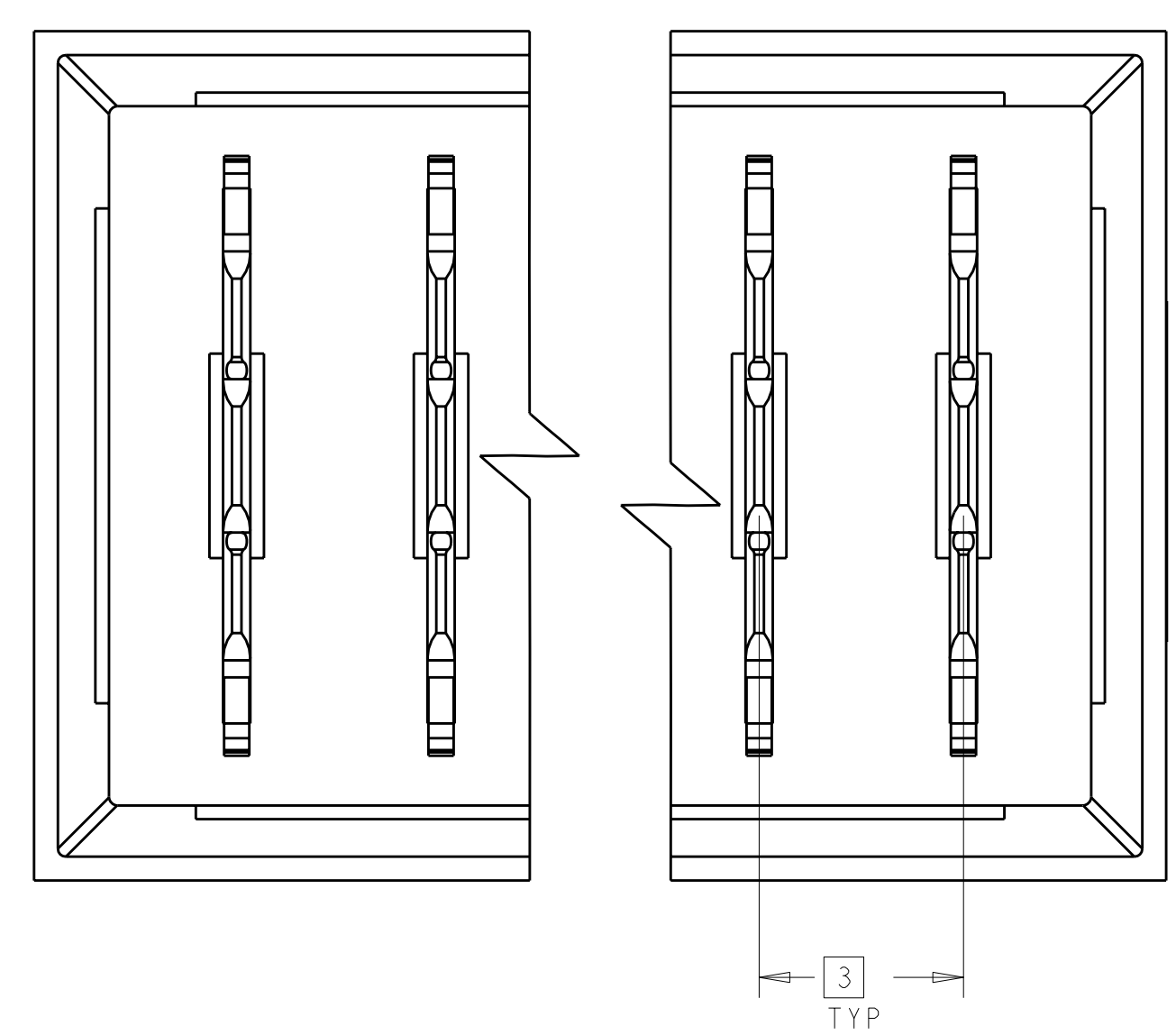
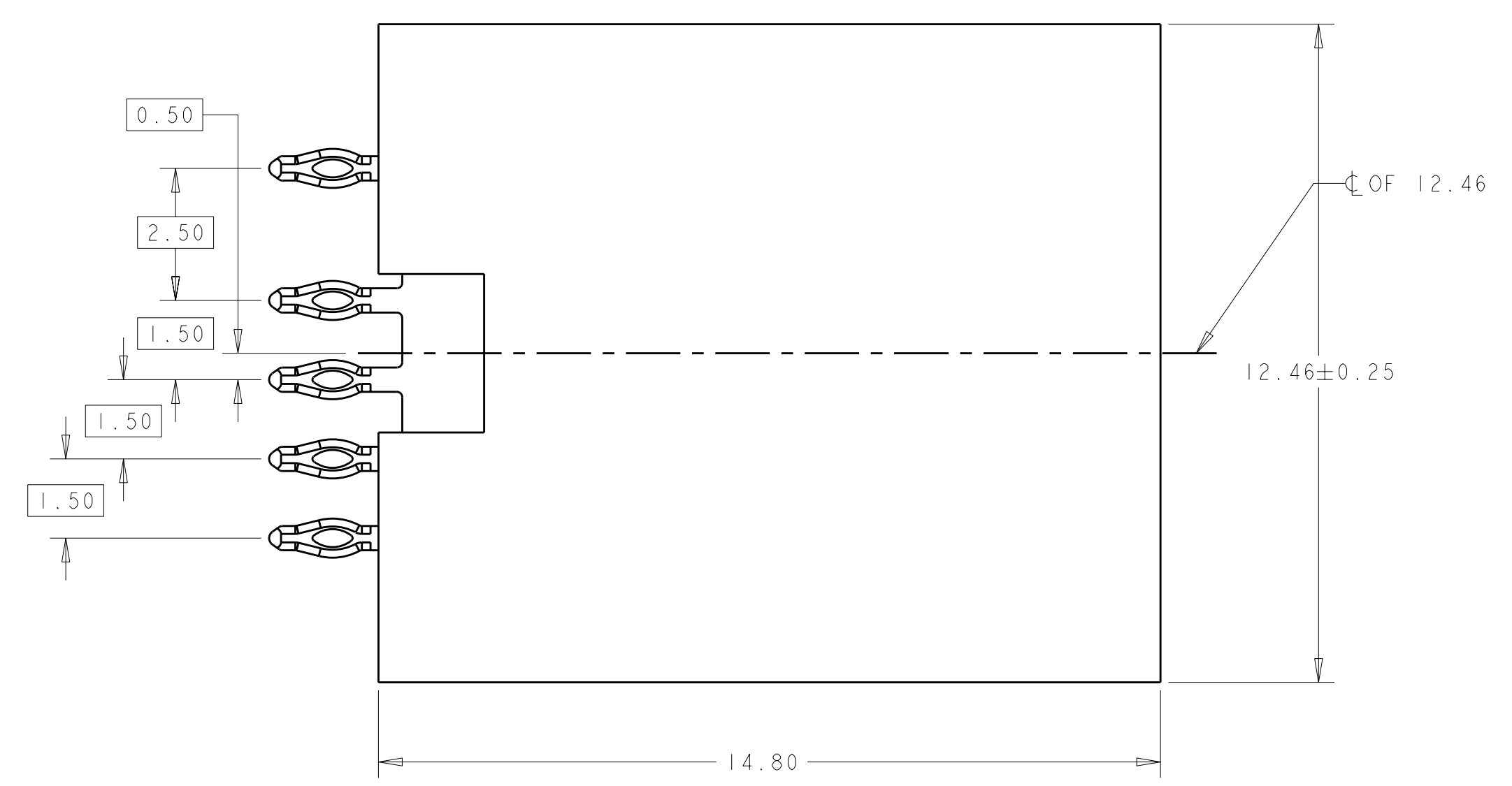
Email & Skype: info@chipsmall.com Web: www.chipsmall.com

Address: A1208, Overseas Decoration Building, #122 Zhenhua RD., Futian, Shenzhen, China



LOC	DIST	REV	DATE	DWN	APVD
AD	00	A	24JUNE2010	DH	DY

- 1 MATERIAL  
 HOUSING: POLYESTER, COLOR, GRAY, UL 94V-0.  
 CONTACT: PHOSPHOR BRONZE, HIGH CURRENT COPPER ALLOY.
- 2 FINISH  
 CONTACT MATING AREA: 1.27µm MIN GOLD OVER 1.27µm MIN NICKEL OR  
 GOLD FLASH OVER PALLADIUM-NICKEL PLATE, 0.76µm MIN TOTAL OVER  
 1.27µm MIN NICKEL  
 COMPLIANT PIN AREA: 0.5µm MIN TIN OVER 1.27µm MIN NICKEL.
- 3 TOLERANCE TO BE ±0.25 BEFORE CONNECTOR  
 IS APPLIED TO PC BOARD.
- 4 REFERENCE APPLICATION SPEC 114-1103 FOR  
 RECOMMENDED PLATED THRU HOLE DIAMETER AND  
 PLATING THICKNESS.
5. CURRENT RATING 16A/CONTACT PER PRODUCT SPEC 108-1651.



POSITION	B REF	A	PART NUMBER
9	29.95	8	1645498-7
8	26.95	7	1645498-6
7	23.95	6	1645498-5
6	20.95	5	1645498-4
5	17.95	4	1645498-3
4	14.95	3	1645498-2
3	11.95	2	1645498-1

DIMENSIONS: mm TOLERANCES UNLESS OTHERWISE SPECIFIED: 9 PLC ± 1 PLC ±0.13 2 PLC ± 3 PLC ± 4 PLC ± ANGLES ± FINISH ±		DWN: B. CARBO 18NOV2008 CHK: G. GRIFFITH 18NOV2008 APVD: G. GRIFFITH 18NOV2008 PRODUCT SPEC APPLICATION SPEC WEIGHT CUSTOMER DRAWING	Tyco Electronics Harrisburg, PA 17105-3608 NAME: HEADER ASSEMBLY, VERTICAL UPM, 15MM STACK HEIGHT SIZE: A   00779   C=1645498 SCALE: 10:1 SHEET 1 OF 1 REV A
---	--	--	--