



Chipsmall Limited consists of a professional team with an average of over 10 year of expertise in the distribution of electronic components. Based in Hongkong, we have already established firm and mutual-benefit business relationships with customers from,Europe,America and south Asia,supplying obsolete and hard-to-find components to meet their specific needs.

With the principle of “Quality Parts,Customers Priority,Honest Operation,and Considerate Service”,our business mainly focus on the distribution of electronic components. Line cards we deal with include Microchip,ALPS,ROHM,Xilinx,Pulse,ON,Everlight and Freescale. Main products comprise IC,Modules,Potentiometer,IC Socket,Relay,Connector.Our parts cover such applications as commercial,industrial, and automotives areas.

We are looking forward to setting up business relationship with you and hope to provide you with the best service and solution. Let us make a better world for our industry!



Contact us

Tel: +86-755-8981 8866 Fax: +86-755-8427 6832

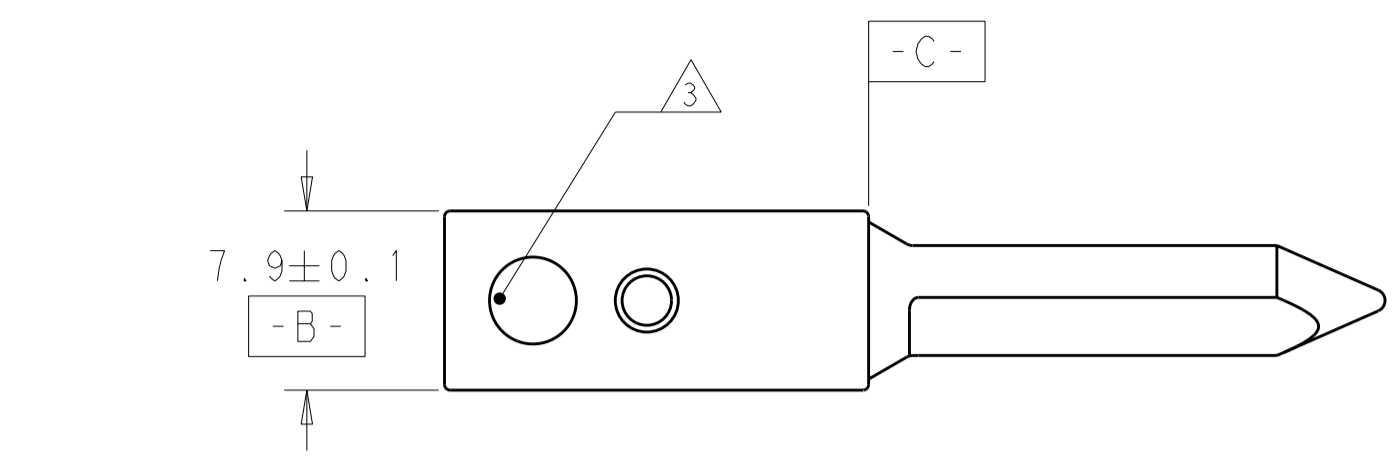
Email & Skype: info@chipsmall.com Web: www.chipsmall.com

Address: A1208, Overseas Decoration Building, #122 Zhenhua RD., Futian, Shenzhen, China

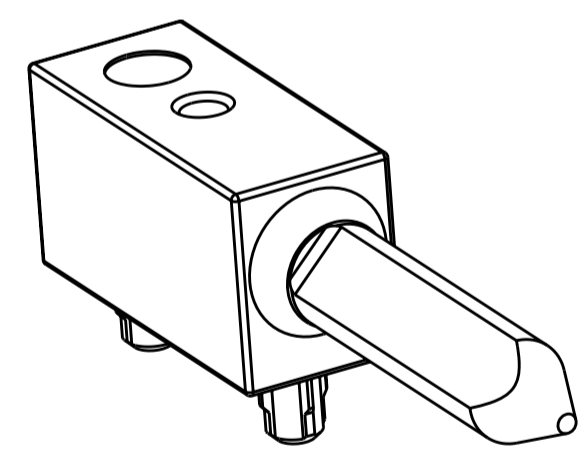
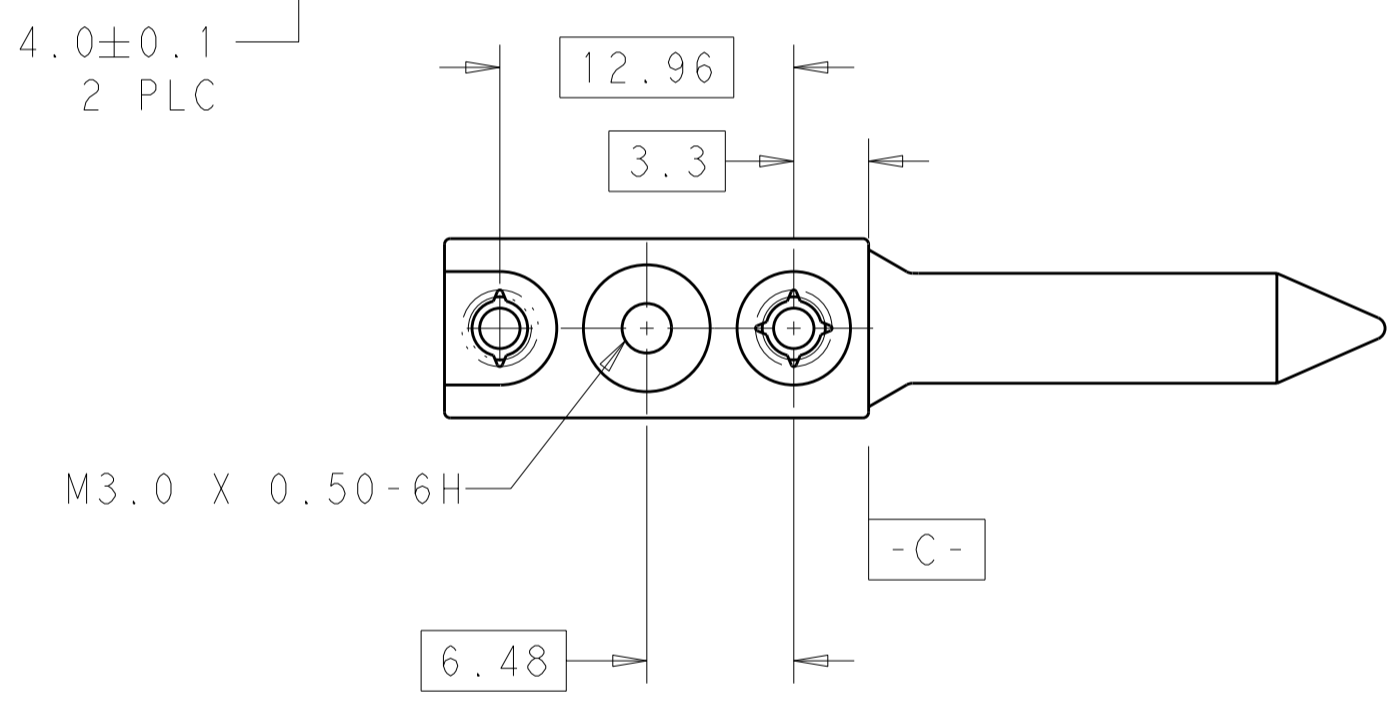
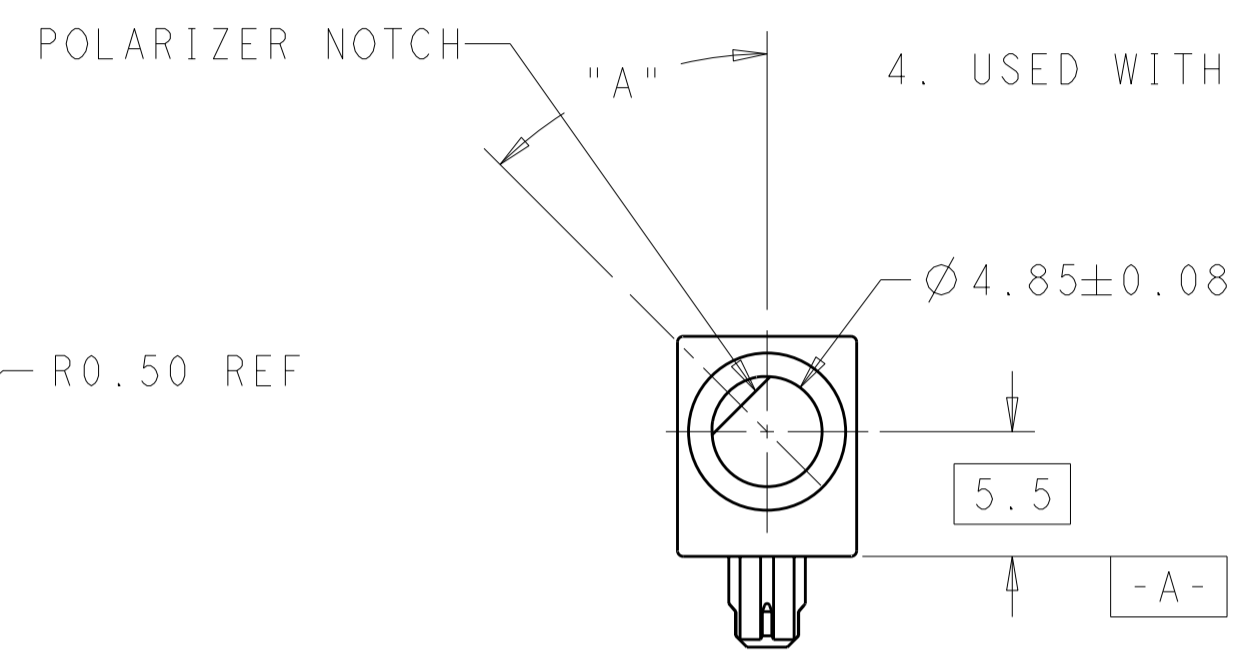
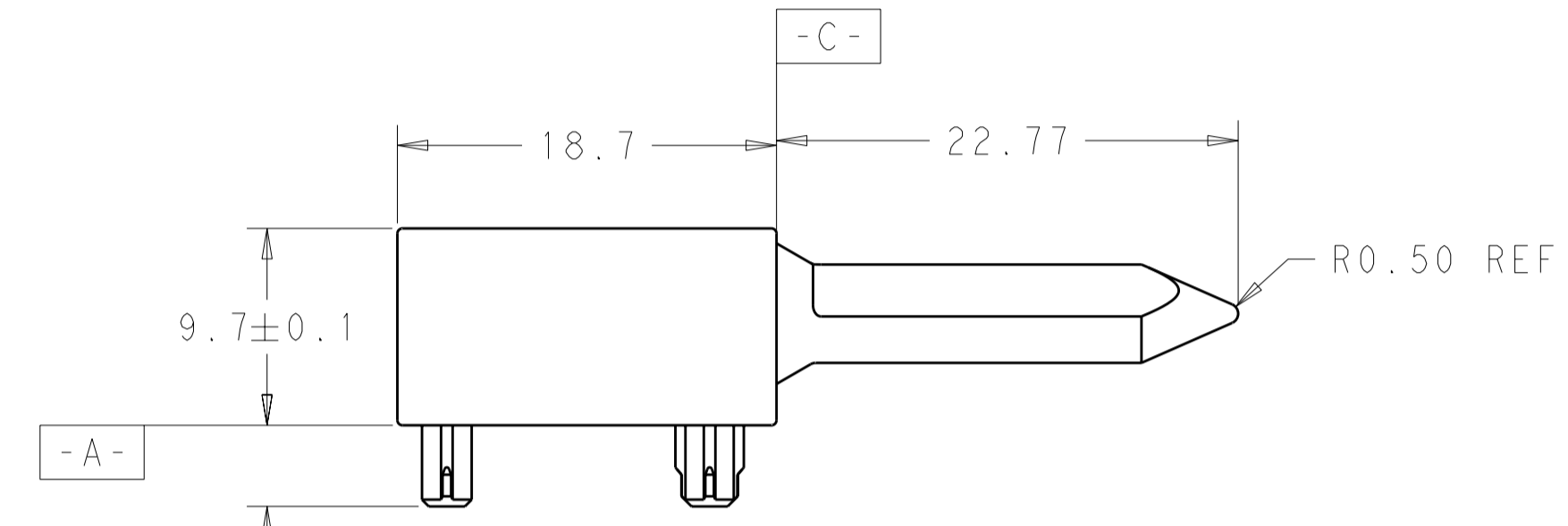


THIS DRAWING IS UNPUBLISHED. RELEASED FOR PUBLICATION 20
 © COPYRIGHT 20 BY TYCO ELECTRONICS CORPORATION. ALL INTERNATIONAL RIGHTS RESERVED.

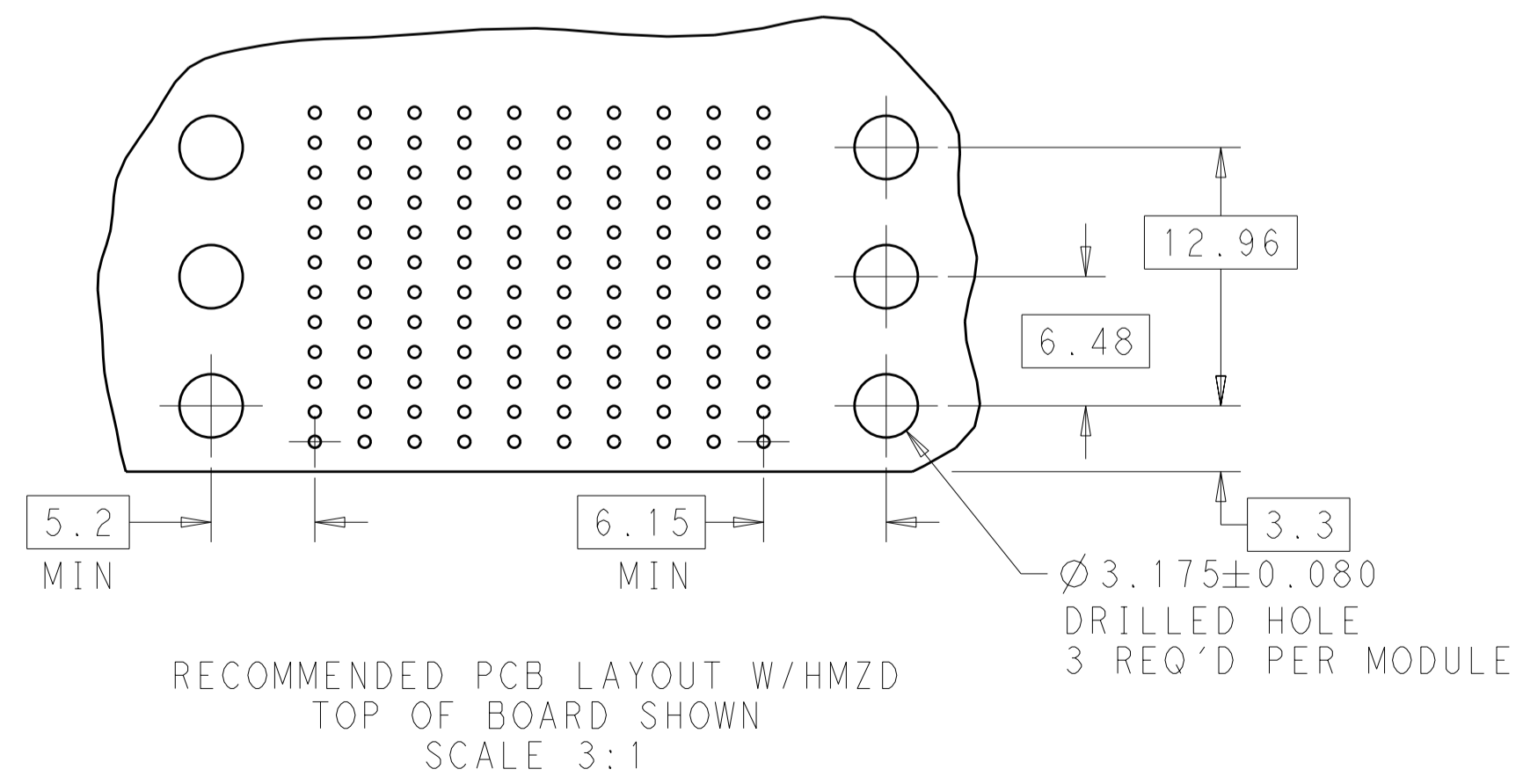
LOC	DIST	REVISIONS			
P	LTR	DESCRIPTION	DATE	DWN	APVD
AD	00	A	DRAWN	23JUL2010	DH DY



- ① MATERIAL: ZINC ALLOY DIE CAST, ZAMAK 3.
- ② FINISH: CHROMATE CONVERSION COATING, ROHS COMPLIANT
- ③ DASH NUMBER SHOWN THIS LOCATION
- 4. USED WITH PART NUMBER 223986-X



1645544-2 AS SHOWN



N/A (ROUND)	1645544-9
315°	1645544-8
270°	1645544-7
225°	1645544-6
180°	1645544-5
135°	1645544-4
90°	1645544-3
45°	1645544-2
0°	1645544-1
DIM A	PART NUMBER

<small>THIS DRAWING IS A CONTROLLED DOCUMENT FOR TYCO ELECTRONICS CORPORATION. IT IS SUBJECT TO CHANGE AND THE CONTROLLING ENGINEERING ORGANIZATION SHOULD BE CONTACTED FOR THE LATEST REVISION.</small>		DWN 23JUL2010 CHK D. HUMBERT D. YI 23JUL2010 APVD D. YI 23JUL2010	Tyco Electronics Corporation Harrisburg, PA 17105-3608
DIMENSIONS: mm	TOLERANCES UNLESS OTHERWISE SPECIFIED: 0 PLC ± 1 PLC ±0.5 2 PLC ±0.13 3 PLC ±0.013 4 PLC ±0.0001 ANGLES ± FINISH	PRODUCT SPEC APPLICATION SPEC WEIGHT	NAME UNIVERSAL POWER MODULE RIGHT ANGLE MALE GUIDE PIN, KEYED
MATERIAL ①	FINISH ②	CUSTOMER DRAWING	SIZE A2 CAGE CODE 00779 DRAWING NO. C-1645544 RESTRICTED TO - SCALE 3:1 SHEET 1 OF 1 REV A