



Chipsmall Limited consists of a professional team with an average of over 10 year of expertise in the distribution of electronic components. Based in Hongkong, we have already established firm and mutual-benefit business relationships with customers from,Europe,America and south Asia,supplying obsolete and hard-to-find components to meet their specific needs.

With the principle of “Quality Parts,Customers Priority,Honest Operation,and Considerate Service”,our business mainly focus on the distribution of electronic components. Line cards we deal with include Microchip,ALPS,ROHM,Xilinx,Pulse,ON,Everlight and Freescale. Main products comprise IC,Modules,Potentiometer,IC Socket,Relay,Connector.Our parts cover such applications as commercial,industrial, and automotives areas.

We are looking forward to setting up business relationship with you and hope to provide you with the best service and solution. Let us make a better world for our industry!



Contact us

Tel: +86-755-8981 8866 Fax: +86-755-8427 6832

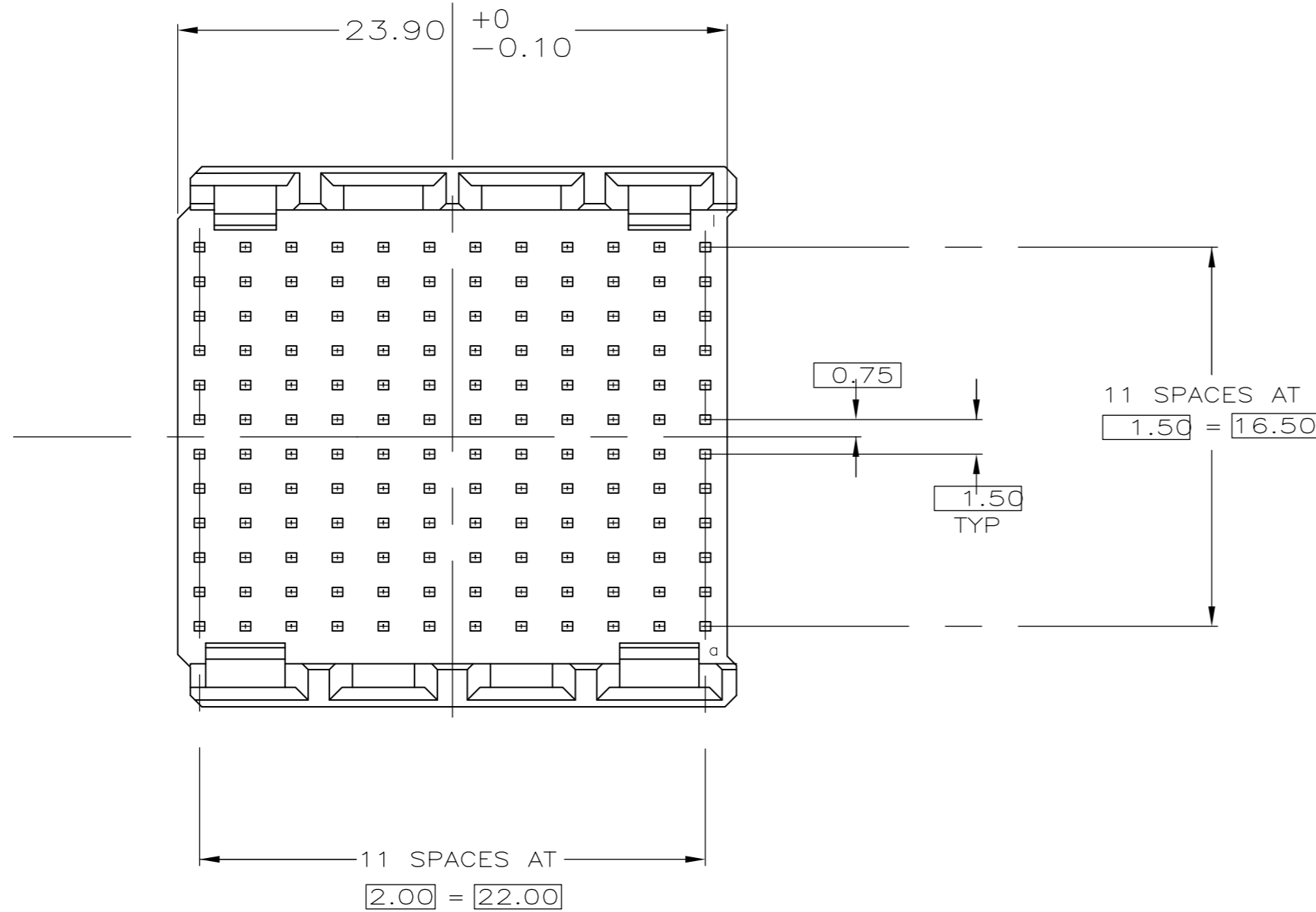
Email & Skype: info@chipsmall.com Web: www.chipsmall.com

Address: A1208, Overseas Decoration Building, #122 Zhenhua RD., Futian, Shenzhen, China

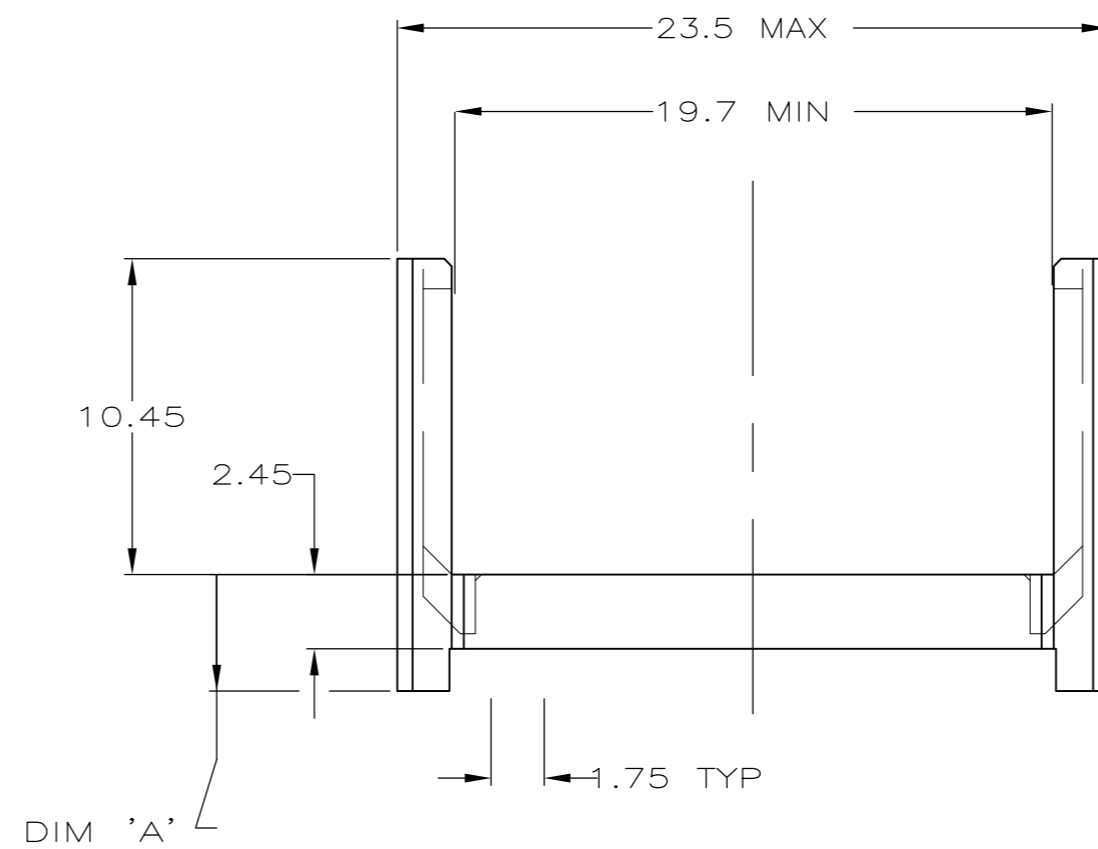
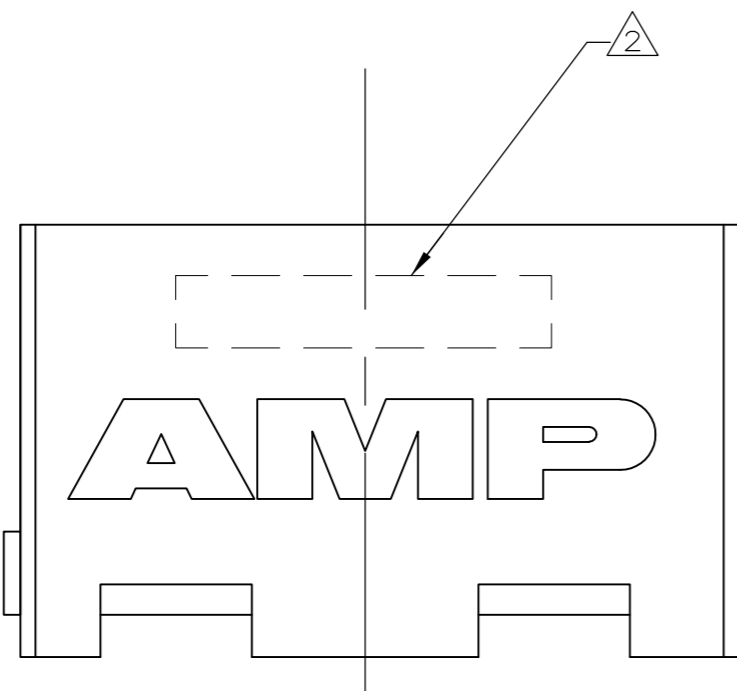


THIS DRAWING IS UNPUBLISHED. RELEASED FOR PUBLICATION
 © COPYRIGHT - By - ALL RIGHTS RESERVED.

LOC	DIST	REVISIONS			
P	LTR	DESCRIPTION	DATE	DWN	APVD
ES	47	A	INITIAL RELEASE	31MAR11	RC CW



- ⚠ MATERIAL: GLASS-FILLED POLYESTER.
- ⚠ CONNECTOR PRINTED WITH PART NUMBER AND DATE CODE, LOCATED APPROXIMATELY AS SHOWN.
- ⚠ RECOMMENDED MIDPLANE THICKNESS TO MAINTAIN STANDARD THREE-LEVEL SEQUENCING.



4.75	3.0	1645564-3
3	DIM "A"	PART NO

THIS DRAWING IS A CONTROLLED DOCUMENT.		DWN RAYMOND CAO 31MAR11	TE TE Connectivity	
DIMENSIONS: mm		CHK SANDERS YAN 31MAR11		
TOLERANCES UNLESS OTHERWISE SPECIFIED:		APVD MANQIAN WANG 31MAR11	NAME	
0-PLC ± 1-PLC ± 2-PLC ± ±0.2 3-PLC ± 4-PLC ± ANGLES ± FINISH -		PRODUCT SPEC	MALE SHROUD HOUSING FEED-THROUGH MIDPLANE, UNLOADED 12 ROW, TYPE B, Z-PACK HM	
MATERIAL		APPLICATION SPEC	SIZE A2	CAGE CODE 00779
⚠		WEIGHT -	DRAWING NO C=1645564	RESTRICTED TO -
CUSTOMER DRAWING			SCALE 4:1	SHEET 1 of 1