



Chipsmall Limited consists of a professional team with an average of over 10 year of expertise in the distribution of electronic components. Based in Hongkong, we have already established firm and mutual-benefit business relationships with customers from,Europe,America and south Asia,supplying obsolete and hard-to-find components to meet their specific needs.

With the principle of “Quality Parts,Customers Priority,Honest Operation,and Considerate Service”,our business mainly focus on the distribution of electronic components. Line cards we deal with include Microchip,ALPS,ROHM,Xilinx,Pulse,ON,Everlight and Freescale. Main products comprise IC,Modules,Potentiometer,IC Socket,Relay,Connector.Our parts cover such applications as commercial,industrial, and automotives areas.

We are looking forward to setting up business relationship with you and hope to provide you with the best service and solution. Let us make a better world for our industry!



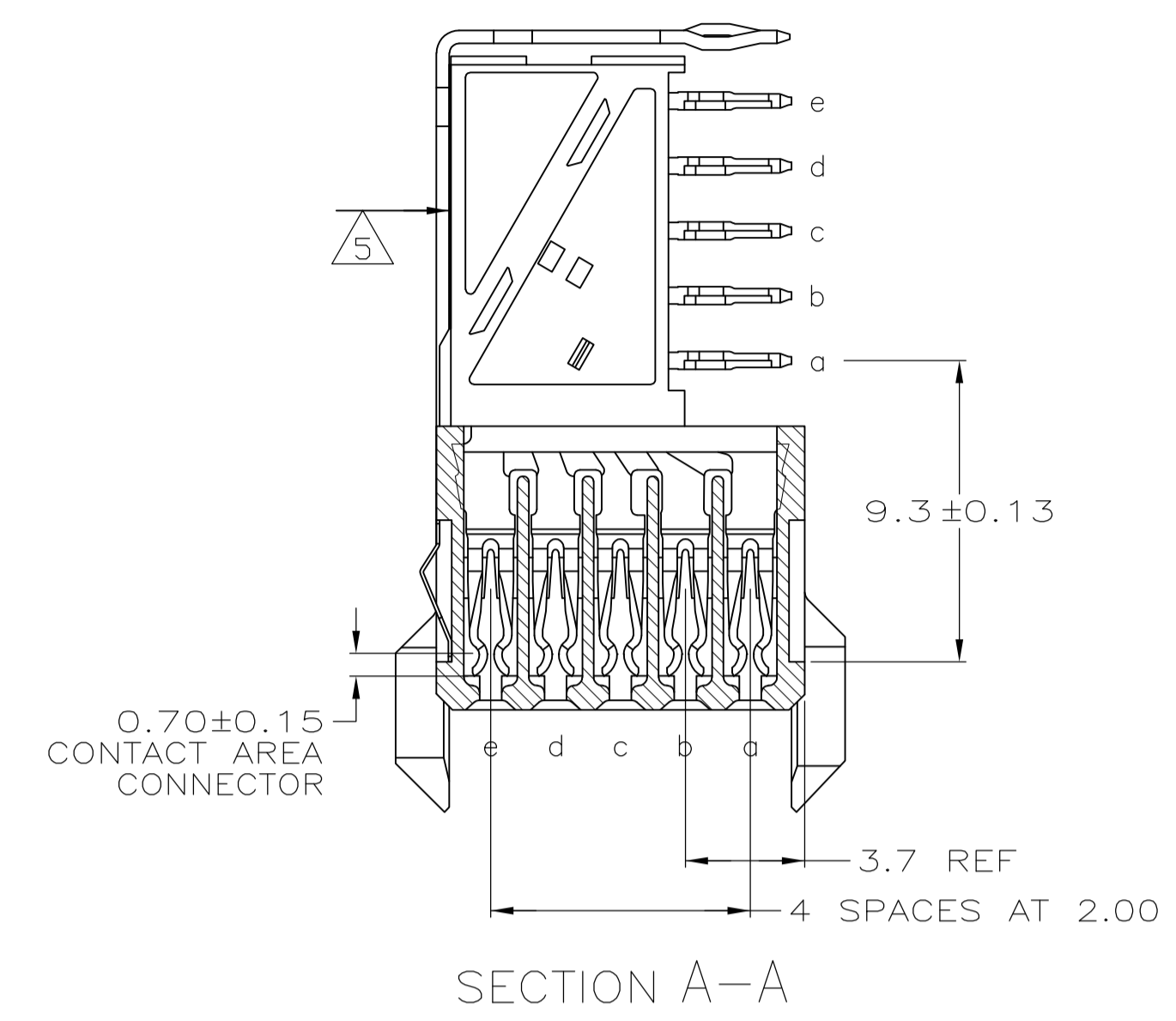
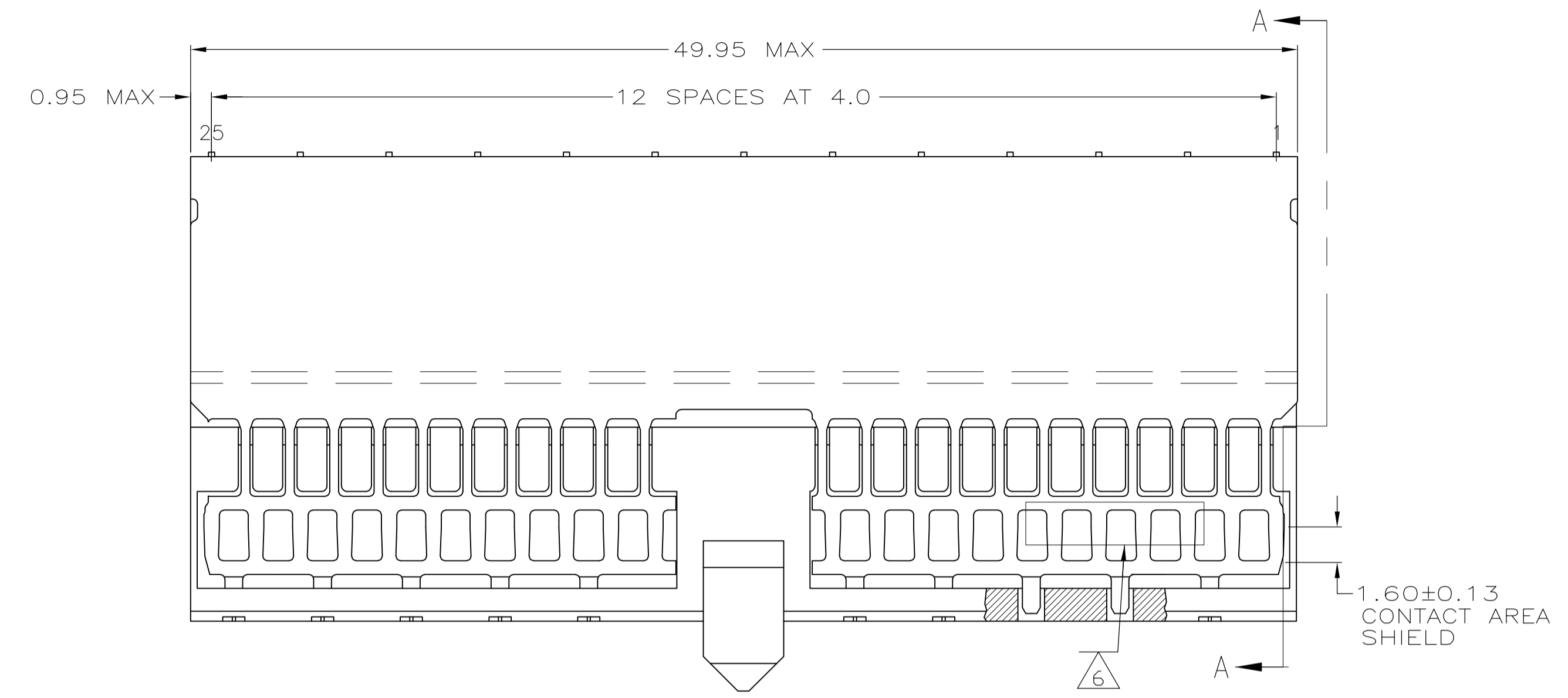
Contact us

Tel: +86-755-8981 8866 Fax: +86-755-8427 6832

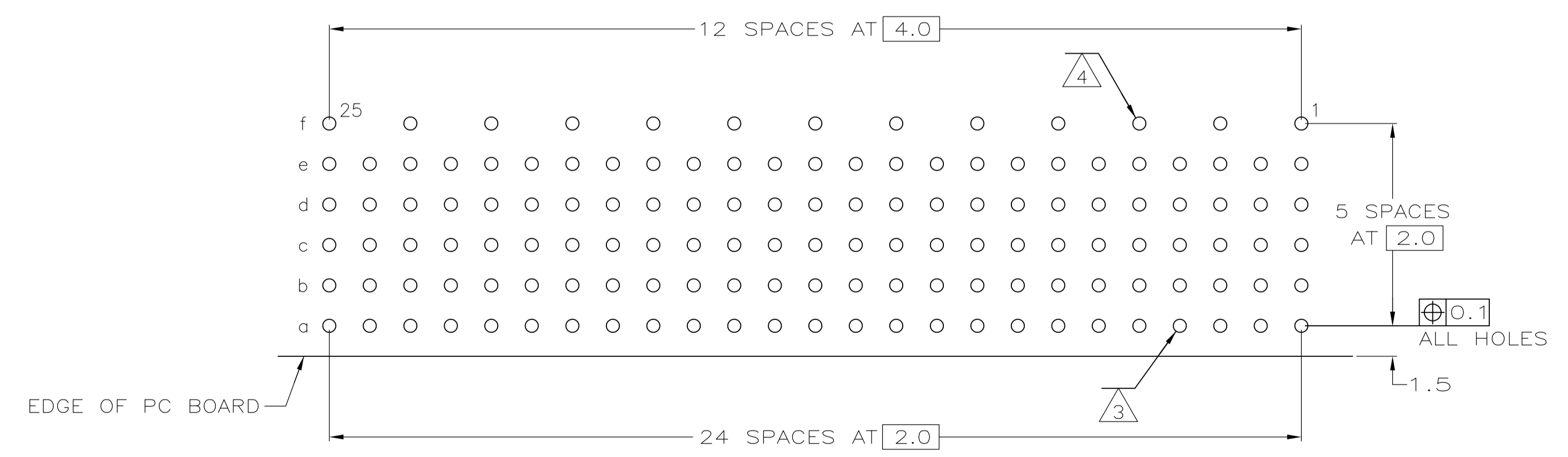
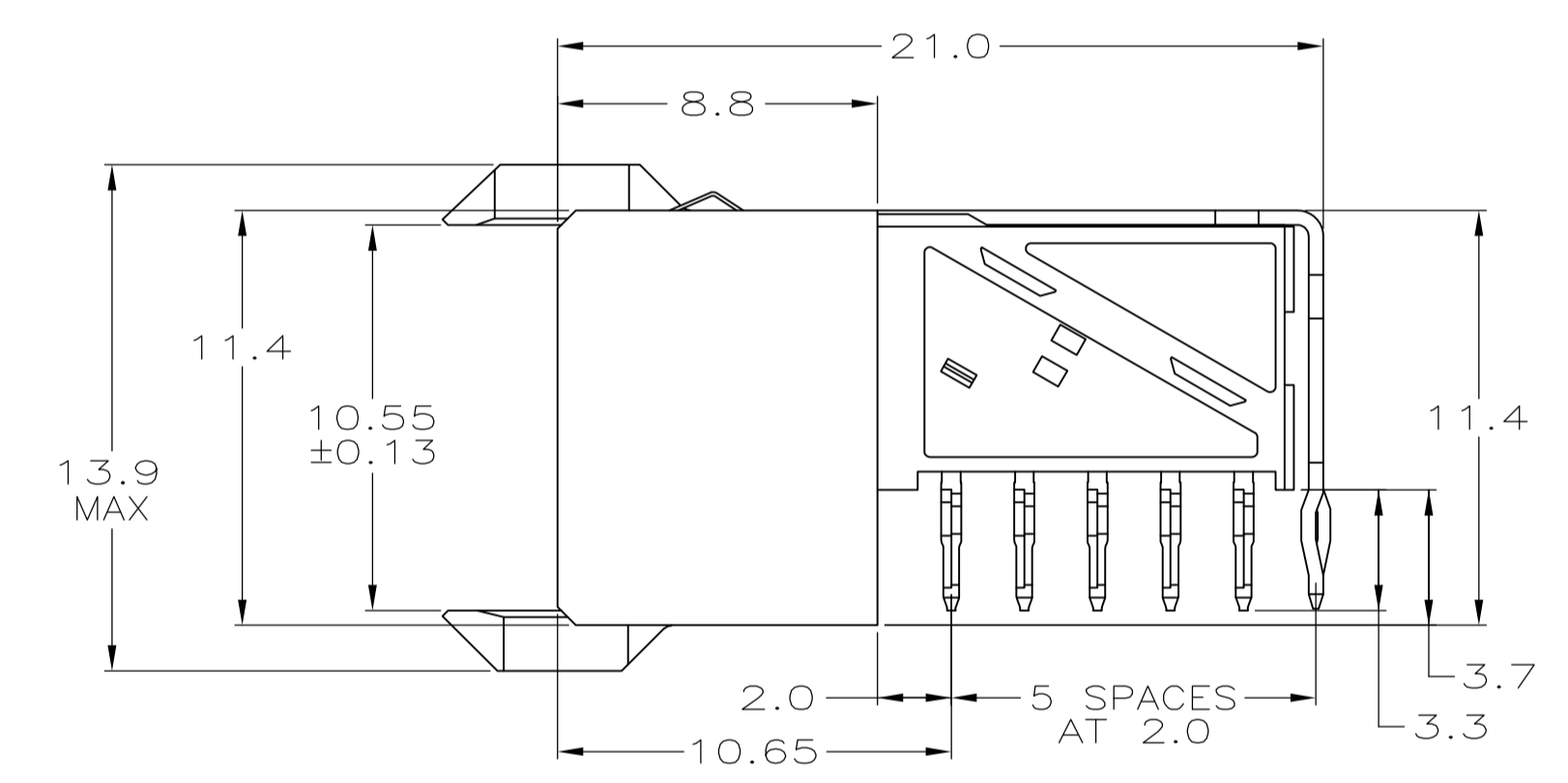
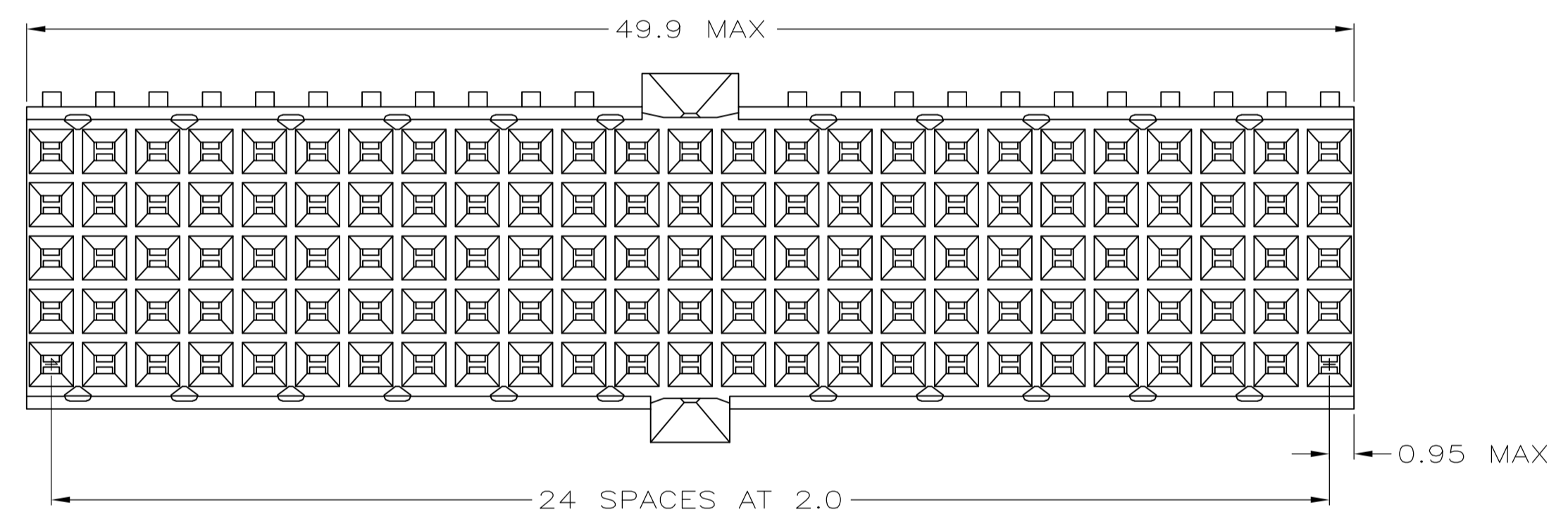
Email & Skype: info@chipsmall.com Web: www.chipsmall.com

Address: A1208, Overseas Decoration Building, #122 Zhenhua RD., Futian, Shenzhen, China





- 1 MATERIAL:
CONTACT: PHOSPHOR BRONZE.
HOUSING: GLASS-FILLED POLYESTER.
- 2 GENERAL PLATING SPECIFICATION: UNDERPLATING (ENTIRE CONTACT): 1.27µm MIN NICKEL AND ACTION PIN: 0.5µm MIN TIN LEAD. FOR PLATING OF MATING SURFACES SEE APPLICABLE SPECIFICATION REFERENCE FOR EACH DASH NUMBER.
- 3 PLATED THROUGH HOLES AT 2mm x 2mm GRID.
- 4 ROW "f" 13 PLATED THROUGH HOLES FOR UPPER SHIELD.
- 5 SHIELD MOUNTED ON CONNECTOR WITH DOUBLE SIDED ADHESIVE TAPE OR ADHESIVE.
- 6 CONNECTOR MARKED WITH PART NUMBER AND DATE CODE.
- 7 1.27µm GOLD PLATING ON MATING SURFACES.
- 8 CONFORMS TO ALL TESTING ACCORDING TO IEC 61076-4-101 PERFORMANCE LEVEL 1.



COMPONENT SIDE AS SHOWN
 RECOMMENDED PCB HOLE LAYOUT

PCB HOLE DIMENSIONS FOR ACTION PIN
 DRILLED HOLE: 0.700±0.025mm
 FINISHED HOLE: 0.55 TO 0.65mm
 CU-THICKNESS: 0.025 TO 0.050mm
 SN/PB-THICKNESS: 0.004 TO 0.010mm

1645579-1
 FINISH PART NUMBER

THIS DRAWING IS A CONTROLLED DOCUMENT.		DIN D. HUMBERT 10/25/2010	Tyco Electronics Corporation Harrisburg, PA 17105-3608
DIMENSIONS: mm		CIK D. YI 10/25/2010	
TOLERANCES UNLESS OTHERWISE SPECIFIED:		APVD D. YI 10/25/2010	NAME
0 PLC ± -			RECEPTACLE ASSEMBLY, Z-PACK
1 PLC ± -			2mm HM, TYPE A/B
2 PLC ± 0.1			PRODUCT SPEC
3 PLC ± -			APPLICATION SPEC
4 PLC ± -			SIZE
ANGLES ± -			CAGE CODE
MATERIAL 1	FINISH SEE TABLE	WEIGHT	DRAWING NO
		A1	00779
		C=1645579	RESTRICTED TO
		CUSTOMER DRAWING	SCALE 5:1 SHEET 1 OF 1 REV A