



Chipsmall Limited consists of a professional team with an average of over 10 year of expertise in the distribution of electronic components. Based in Hongkong, we have already established firm and mutual-benefit business relationships with customers from,Europe,America and south Asia,supplying obsolete and hard-to-find components to meet their specific needs.

With the principle of “Quality Parts,Customers Priority,Honest Operation,and Considerate Service”,our business mainly focus on the distribution of electronic components. Line cards we deal with include Microchip,ALPS,ROHM,Xilinx,Pulse,ON,Everlight and Freescale. Main products comprise IC,Modules,Potentiometer,IC Socket,Relay,Connector.Our parts cover such applications as commercial,industrial, and automotives areas.

We are looking forward to setting up business relationship with you and hope to provide you with the best service and solution. Let us make a better world for our industry!



Contact us

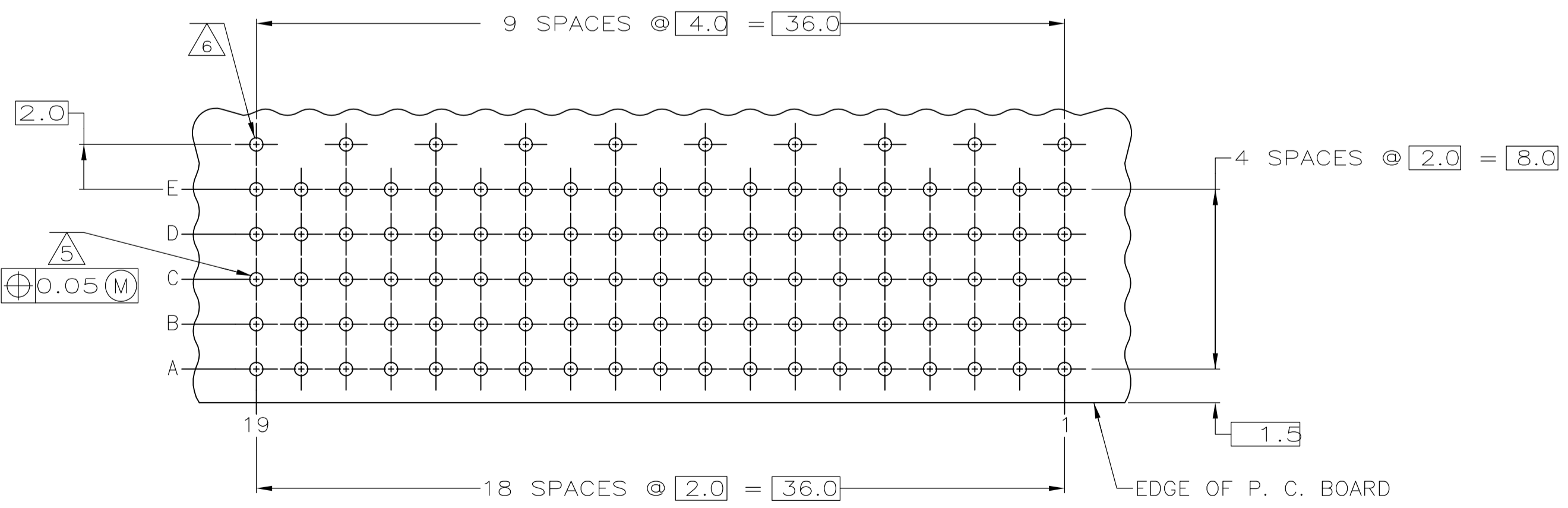
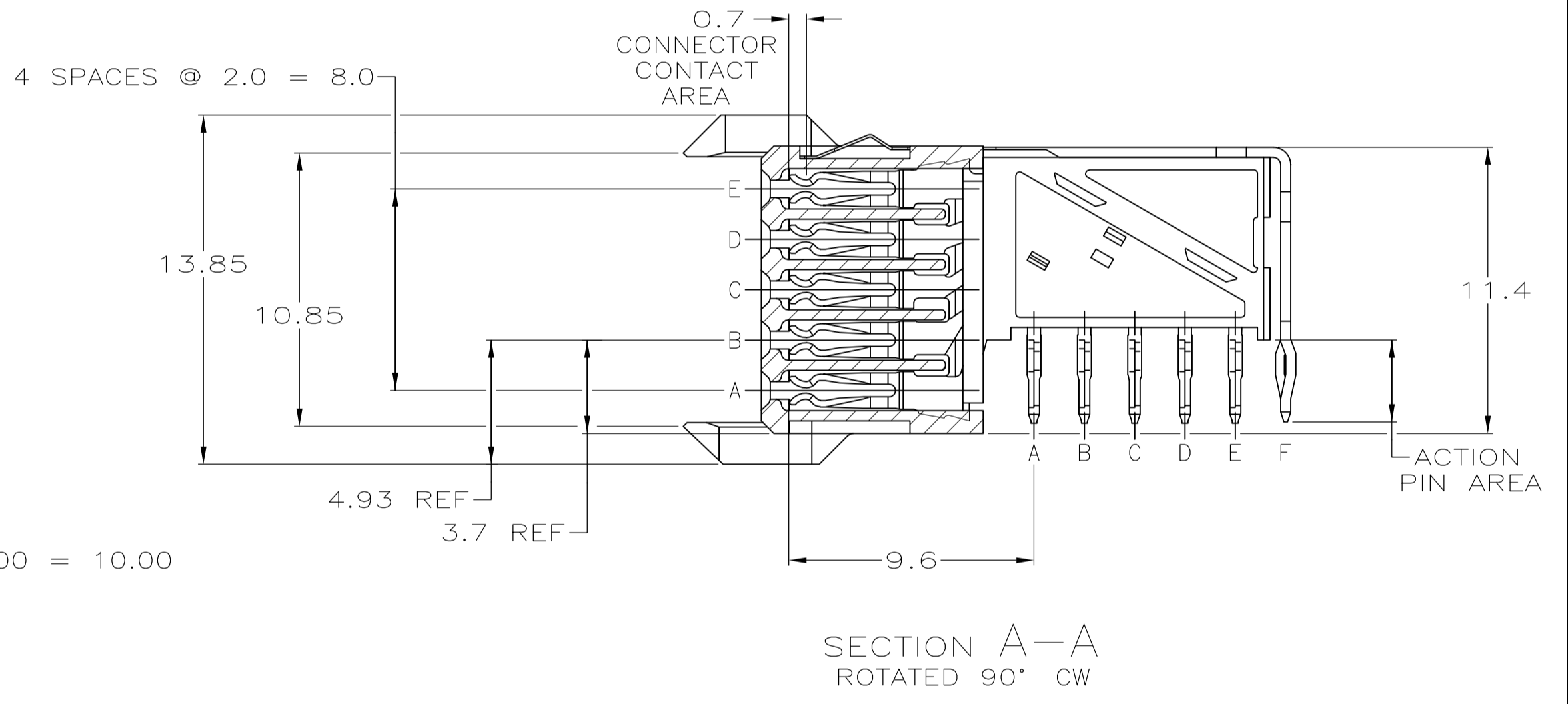
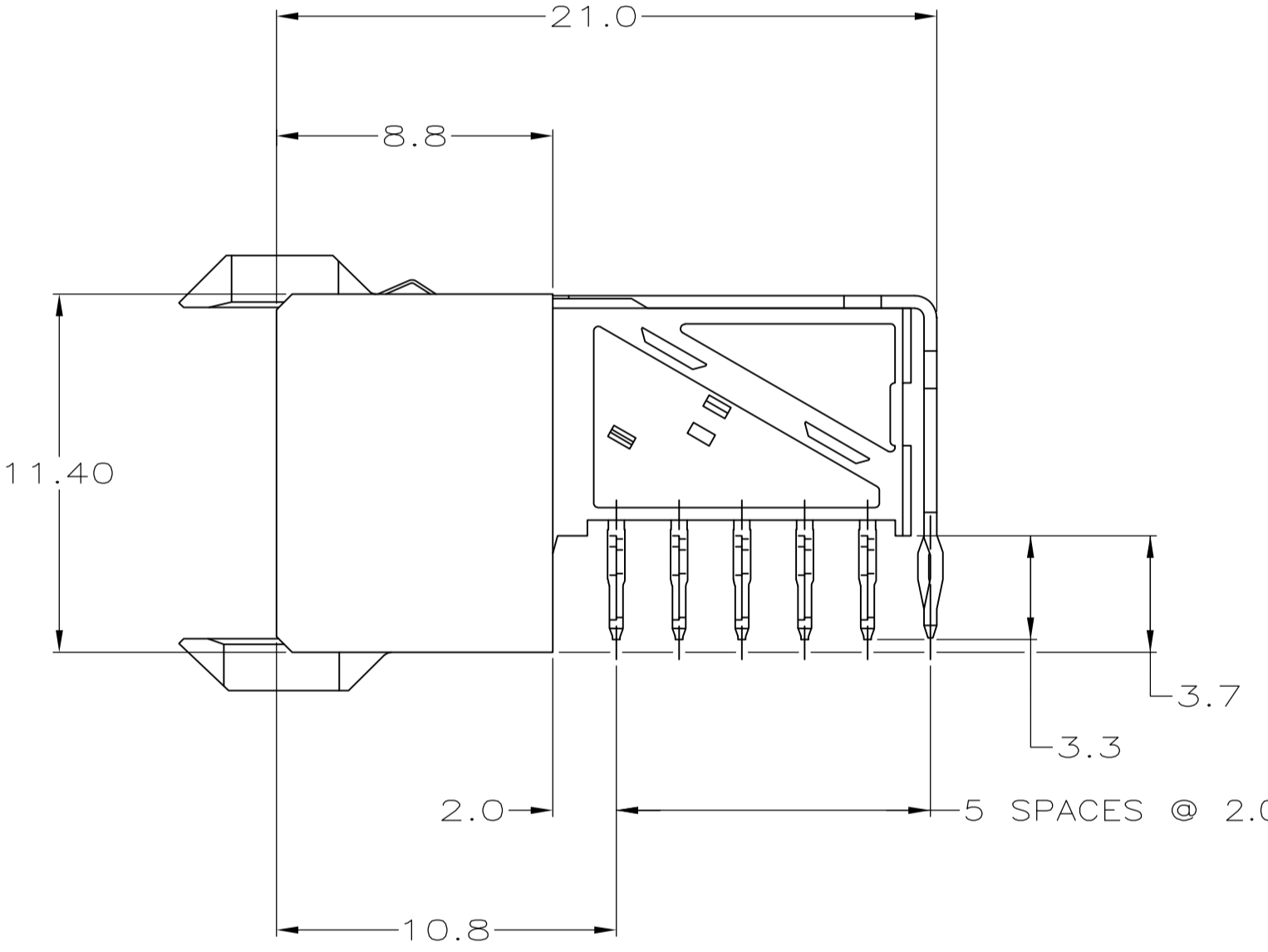
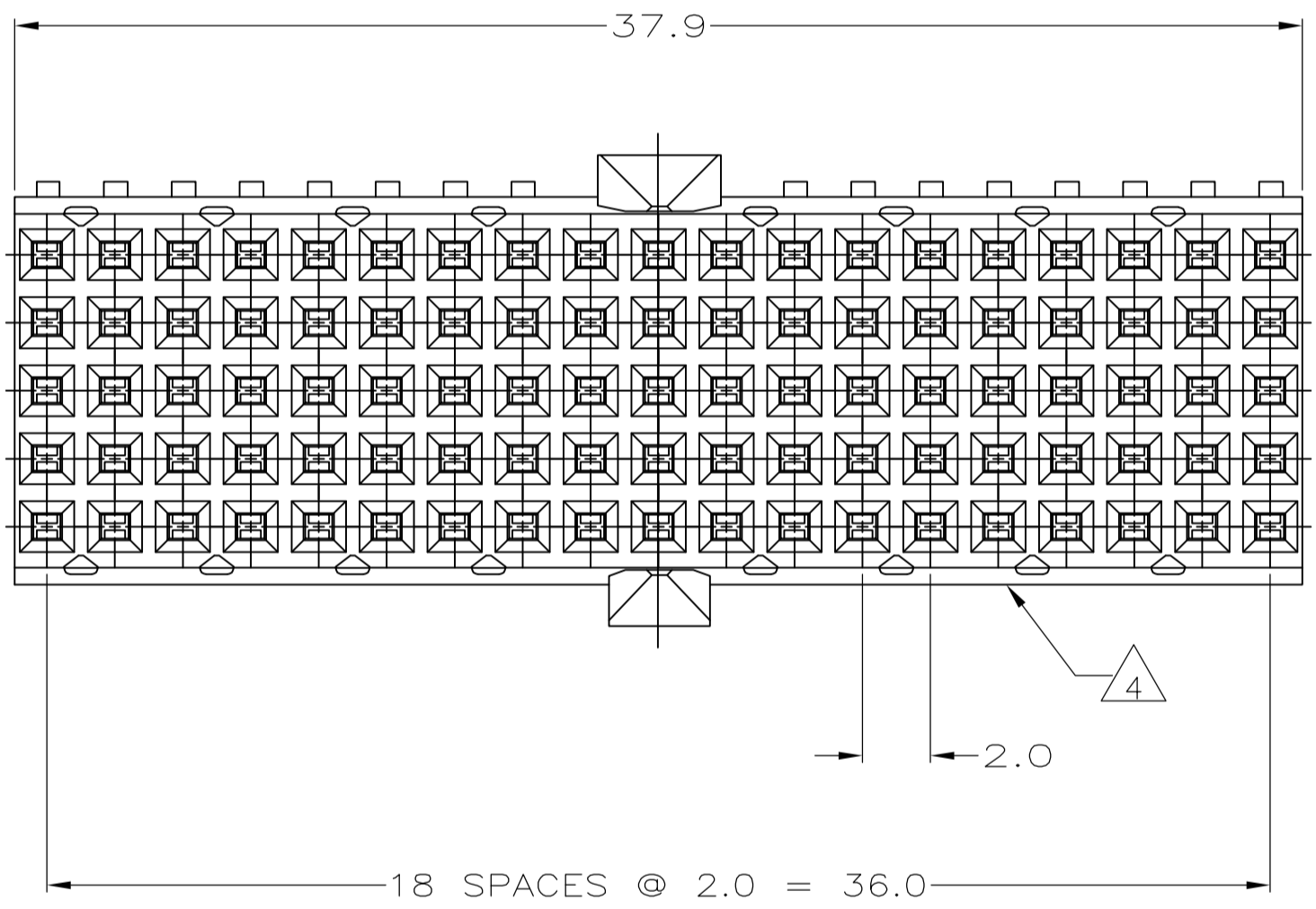
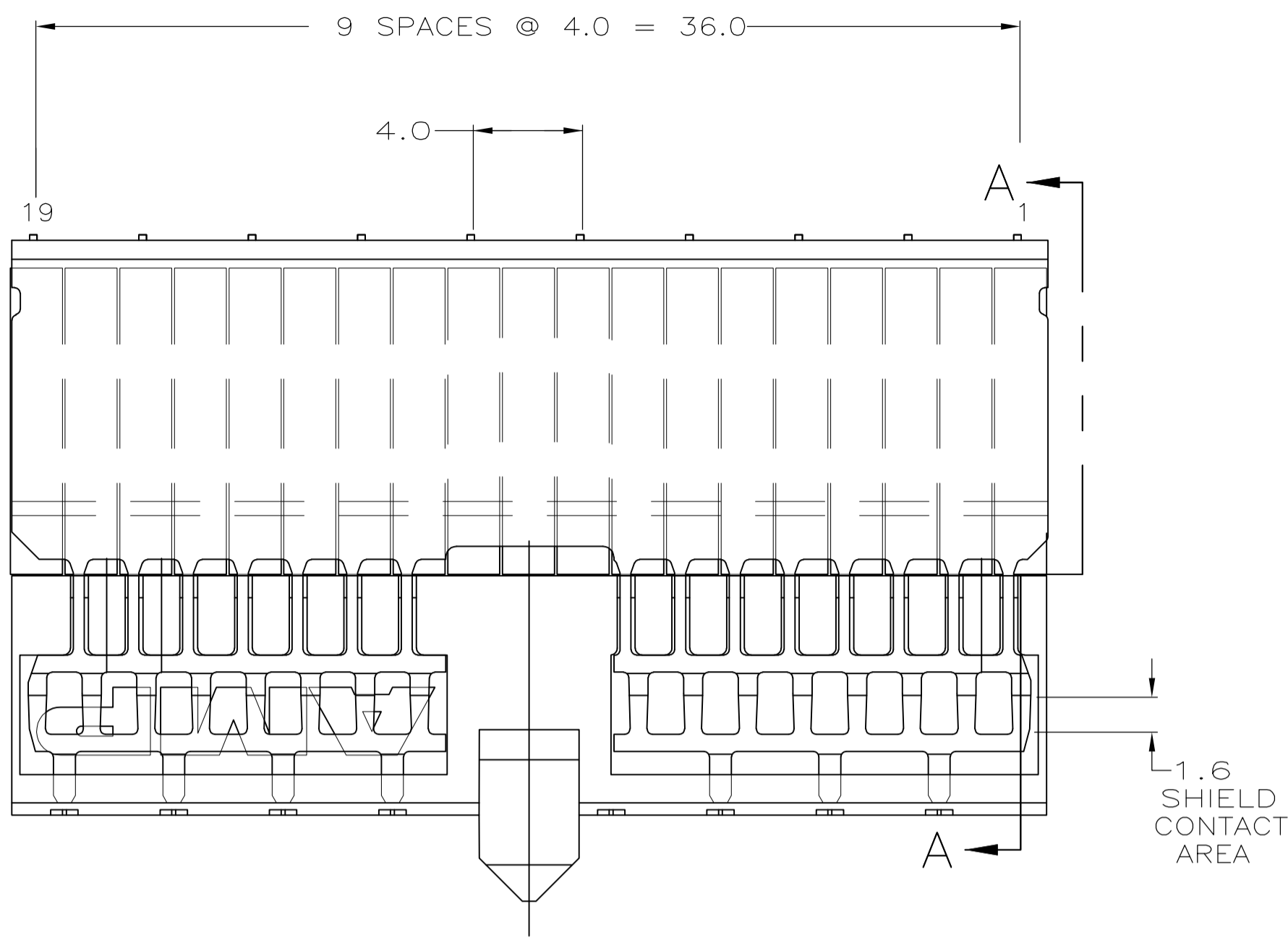
Tel: +86-755-8981 8866 Fax: +86-755-8427 6832

Email & Skype: info@chipsmall.com Web: www.chipsmall.com

Address: A1208, Overseas Decoration Building, #122 Zhenhua RD., Futian, Shenzhen, China



LOC		DIST		REVISIONS			
P	LTR	DESCRIPTION	DATE	DMN	APVD		
A		INITIAL RELEASE	18NOV2010	RC	CW		



**RECOMMENDED PCB-HOLE LAYOUT
 COMPONENT SIDE SHOWN**

SCALE 2.5:1

PLATED THRU HOLES PARAMETERS

REFERENCE APPLICATION SPECIFICATION

- 1 MATERIAL:
CONTACT: PHOSPHOR BRONZE.
HOUSING: GLASS-FILLED POLYESTER.
- 2 GENERAL PLATING SPECIFICATION: UNDERPLATING
(ENTIRE CONTACT): 1.27μm MIN NICKEL AND ACTION
PIN: 0.5μm MIN TIN/LEAD.
1.27μm MIN GOLD PLATING AT MATING SURFACES
- 3 CONFORMS TO ALL TESTING ACCORDING TO IEC 61076-4-101
PERFORMANCE LEVEL 1.
- 4 CONNECTOR MARKED WITH PART NUMBER AND DATE CODE.
ADDITIONAL CHARACTERS OR MARKINGS, AS WELL AS THE LOCATION OF THE MARKINGS,
MAY BE ADDED FOR TRACEABILITY BASED UPON MANUFACTURERS DISCRETION.
- 5 PLATED-THROUGH HOLES AT 2x2mm SQUARE GRID
PATTERN DEFINED BY CONTACT LAYOUT.
- 6 10 PLATED THROUGH HOLES FOR UPPER SHIELD, ROW F.
- 7 SHIELD MOUNTED TO CONNECTOR WITH DOUBLE SIDED ADHESIVE TAPE OR ADHESIVE.

2 3	1645591-1
FINISH	PART NUMBER

THIS DRAWING IS A CONTROLLED DOCUMENT.		DIN RAYMOND CAO 11/18/2010		Tyco Electronics Corporation	
DIMENSIONS: mm		CHK SANDERS YAN 11/18/2010		Shanghai P.R.China	
TOLERANCES UNLESS OTHERWISE SPECIFIED:		APVD MANQIAN WANG 11/18/2010		NAME	
0-PLC ±		PRODUCT SPEC		RECEPTACLE ASSEMBLY, Z-PACK 2mm HM, TYPE A/B, PRE-SHIELDED, 95 POSITION	
1-PLC ±0.2		APPLICATION SPEC		SIZE	
2-PLC ±0.02		108-19082		CAGE CODE	
3-PLC ±0.2		114-19029		DRAWING NO	
4-PLC ±		WEIGHT		RESTRICTED TO	
ANGLES		A1 00779		1645591	
MATERIAL		CUSTOMER DRAWING		SCALE 5:1	
SEE TABLE		SHEET 1 OF 1		REV A	