



Chipsmall Limited consists of a professional team with an average of over 10 year of expertise in the distribution of electronic components. Based in Hongkong, we have already established firm and mutual-benefit business relationships with customers from,Europe,America and south Asia,supplying obsolete and hard-to-find components to meet their specific needs.

With the principle of “Quality Parts,Customers Priority,Honest Operation,and Considerate Service”,our business mainly focus on the distribution of electronic components. Line cards we deal with include Microchip,ALPS,ROHM,Xilinx,Pulse,ON,Everlight and Freescale. Main products comprise IC,Modules,Potentiometer,IC Socket,Relay,Connector.Our parts cover such applications as commercial,industrial, and automotives areas.

We are looking forward to setting up business relationship with you and hope to provide you with the best service and solution. Let us make a better world for our industry!



Contact us

Tel: +86-755-8981 8866 Fax: +86-755-8427 6832

Email & Skype: info@chipsmall.com Web: www.chipsmall.com

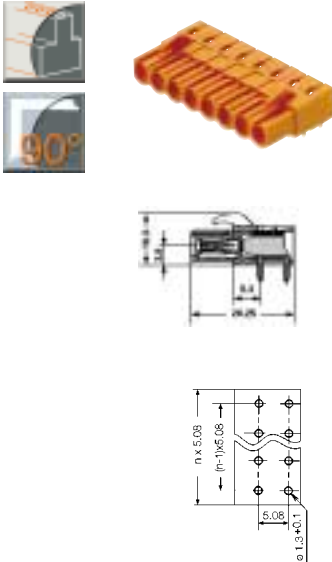
Address: A1208, Overseas Decoration Building, #122 Zhenhua RD., Futian, Shenzhen, China



Omnimate Range - 5.08 mm Pitch



Socket header BLL 5.08/90



Technical data	VDE	UL	CSA
Rated voltage (V)	250*	300	300
Rated current (A)	12	15	14

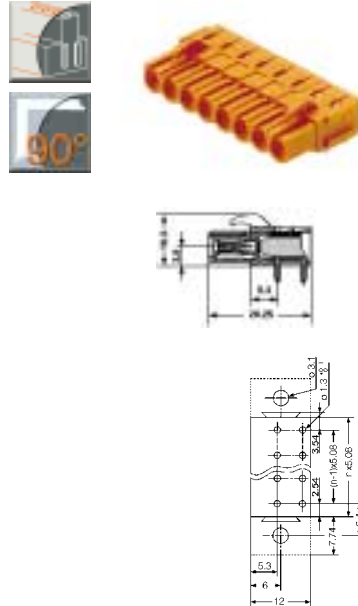
*Pollution severity 3 / Overvoltage category III
Additional technical data see page 217

Solder pin length		4.5 mm	4.5 mm		
Color		●	●		
Poles	Type	Part No.	Part No.	Qty.	
2	BLL 5.08/2/90	1645920000	1646030000	100	
3	BLL 5.08/3/90	1645930000	1646040000	100	
4	BLL 5.08/4/90	1645940000	1646050000	100	
5	BLL 5.08/5/90	1645950000	1646060000	50	
6	BLL 5.08/6/90	1645960000	1646070000	50	
7	BLL 5.08/7/90	1645970000	1646080000	50	
8	BLL 5.08/8/90	1645980000	1646090000	50	
9	BLL 5.08/9/90	1645990000	1646100000	50	
10	BLL 5.08/10/90	1646000000	1646110000	50	
11	BLL 5.08/11/90	1646010000	1646120000	50	
12	BLL 5.08/12/90	1646020000	1646130000	50	
13	BLL 5.08/13/90	1648660000	1648780000	50	
14	BLL 5.08/14/90	1648670000	1648790000	50	
15	BLL 5.08/15/90	1648680000	1648800000	50	
16	BLL 5.08/16/90	1648690000	1648810000	50	
17	BLL 5.08/17/90	1648700000	1648820000	20	
18	BLL 5.08/18/90	1648710000	1648830000	20	
19	BLL 5.08/19/90	1648720000	1648840000	20	
20	BLL 5.08/20/90	1648730000	1648850000	20	
21	BLL 5.08/21/90	1648740000	1648860000	20	
22	BLL 5.08/22/90	1648750000	1648870000	20	
23	BLL 5.08/23/90	1648760000	1648880000	20	
24	BLL 5.08/24/90	1648770000	1648890000	20	

BLL allows for touchsafe PCBs

Accessories	Page
Mounting	-
Marking	190
Coding	193
Miscellaneous	-

Socket header BLL 5.08/90B



Technical data	VDE	UL	CSA
Rated voltage (V)	250*	300	300
Rated current (A)	12	15	14

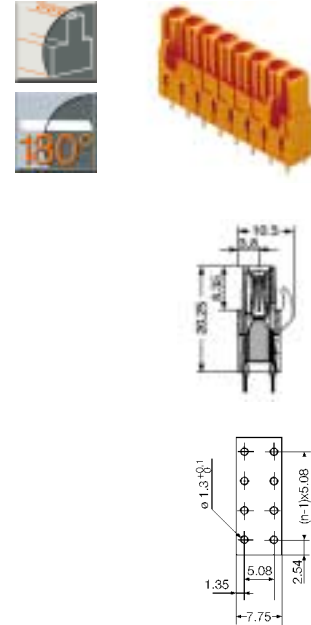
*Pollution severity 3 / Overvoltage category III
Additional technical data see page 217

Solder pin length		4.5 mm	4.5 mm		
Color		●	●		
Poles	Type	Part No.	Part No.	Qty.	
2	BLL 5.08/2/90B	1692970000	1684000000	100	
3	BLL 5.08/3/90B	1692980000	1684010000	100	
4	BLL 5.08/4/90B	1692990000	1684020000	100	
5	BLL 5.08/5/90B	1693000000	1684030000	50	
6	BLL 5.08/6/90B	1693010000	1684040000	50	
7	BLL 5.08/7/90B	1693020000	1684050000	50	
8	BLL 5.08/8/90B	1693030000	1684060000	50	
9	BLL 5.08/9/90B	1693040000	1684070000	50	
10	BLL 5.08/10/90B	1693050000	1684080000	50	
11	BLL 5.08/11/90B	1693060000	1684090000	50	
12	BLL 5.08/12/90B	1693070000	1684100000	50	
13	BLL 5.08/13/90B	1693080000	1684110000	50	
14	BLL 5.08/14/90B	1693090000	1684120000	50	
15	BLL 5.08/15/90B	1693100000	1684130000	50	
16	BLL 5.08/16/90B	1693110000	1684140000	50	
17	BLL 5.08/17/90B	1693120000	1684150000	20	
18	BLL 5.08/18/90B	1693130000	1684160000	20	
19	BLL 5.08/19/90B	1693140000	1684170000	20	
20	BLL 5.08/20/90B	1693150000	1684180000	20	
21	BLL 5.08/21/90B	1693160000	1684190000	20	
22	BLL 5.08/22/90B	1693170000	1684200000	20	
23	BLL 5.08/23/90B	1693180000	1684210000	20	
24	BLL 5.08/24/90B	1693190000	1684220000	20	

BLL allows for touchsafe PCBs

Accessories	Page
Mounting	187*
Marking	190
Coding	193
Miscellaneous	-

Socket header BLL 5.08/180



Technical data	VDE	UL	CSA
Rated voltage (V)	250*	300	300
Rated current (A)	12	15	14

*Pollution severity 3 / Overvoltage category III
Additional technical data see page 217

Solder pin length		4.5 mm	4.5 mm		
Color		●	●		
Poles	Type	Part No.	Part No.	Qty.	
2	BLL 5.08/2/180	1646140000	1646250000	100	
3	BLL 5.08/3/180	1646150000	1646260000	100	
4	BLL 5.08/4/180	1646160000	1646270000	100	
5	BLL 5.08/5/180	1646170000	1646280000	50	
6	BLL 5.08/6/180	1646180000	1646290000	50	
7	BLL 5.08/7/180	1646190000	1646300000	50	
8	BLL 5.08/8/180	1646200000	1646310000	50	
9	BLL 5.08/9/180	1646210000	1646320000	50	
10	BLL 5.08/10/180	1646220000	1646330000	50	
11	BLL 5.08/11/180	1646230000	1646340000	50	
12	BLL 5.08/12/180	1646240000	1646350000	50	
13	BLL 5.08/13/180	1649020000	1649140000	50	
14	BLL 5.08/14/180	1649030000	1649150000	50	
15	BLL 5.08/15/180	1649040000	1649160000	50	
16	BLL 5.08/16/180	1649050000	1649170000	50	
17	BLL 5.08/17/180	1649060000	1649180000	20	
18	BLL 5.08/18/180	1649070000	1649190000	20	
19	BLL 5.08/19/180	1649080000	1649200000	20	
20	BLL 5.08/20/180	1649090000	1649210000	20	
21	BLL 5.08/21/180	1649100000	1649220000	20	
22	BLL 5.08/22/180	1649110000	1649230000	20	
23	BLL 5.08/23/180	1649120000	1649240000	20	
24	BLL 5.08/24/180	1649130000	1649250000	20	

BLL allows for touchsafe PCBs

Accessories	Page
Mounting	-
Marking	190
Coding	193
Miscellaneous	-