



Chipsmall Limited consists of a professional team with an average of over 10 year of expertise in the distribution of electronic components. Based in Hongkong, we have already established firm and mutual-benefit business relationships with customers from,Europe,America and south Asia,supplying obsolete and hard-to-find components to meet their specific needs.

With the principle of "Quality Parts,Customers Priority,Honest Operation,and Considerate Service",our business mainly focus on the distribution of electronic components. Line cards we deal with include Microchip,ALPS,ROHM,Xilinx,Pulse,ON,Everlight and Freescale. Main products comprise IC,Modules,Potentiometer,IC Socket,Relay,Connector.Our parts cover such applications as commercial,industrial, and automotives areas.

We are looking forward to setting up business relationship with you and hope to provide you with the best service and solution. Let us make a better world for our industry!



Contact us

Tel: +86-755-8981 8866 Fax: +86-755-8427 6832

Email & Skype: info@chipsmall.com Web: www.chipsmall.com

Address: A1208, Overseas Decoration Building, #122 Zhenhua RD., Futian, Shenzhen, China



4

3

2

1

This drawing involves proprietary design rights of Tyco Electronics Corporation, and all design, manufacture, reproduction, use and sale rights regarding the same are expressly reserved. It is submitted for a specific purpose and the recipient by accepting this drawing, assumes custody and control and agrees to take reasonable precautions: (a) that this drawing will not be copied and reproduced, in whole or in part, or its contents revealed in any manner, or to any person except to meet the purpose for which it was delivered and (b) that any special features peculiar to this design will not be incorporated in other projects without the expressed written permission of Tyco Electronics Corporation.

REVISIONS

EC	REV	DESCRIPTION	DATE
CPR	A	NEW RELEASE	03/07/06

TYPICAL SPECIFICATION TABLE

POSITION	CONTACT SIZE	RATING	VOLTAGE RATING
1 - 3	#12	35 AMPERES	250 VOLTS
4 - 19	#20	5 AMPERES	250 VOLTS
20 - 22	#12	35 AMPERES	250 VOLTS

6. ITEMS PROVIDED TO THIS SPECIFICATION TO BE PERMANENTLY IDENTIFIED PER THE FOLLOWING IDENTIFIER:

YEAR WEEK

TYCO PART NUMBER DATE CODE (e.g. 0625)

XXXXXXX-X XXXX

5. ALL DIMENSIONS SHOWN ACROSS A CENTERLINE (⌀) SHALL BE CENTRALIZED WITHIN THE TOLERANCE INDICATED FOR THAT DIMENSION.

4. A REFERENCE DIMENSION (XXX) IS WITHOUT TOLERANCE AND USED FOR INFORMATION PURPOSE ONLY.

3. RECOMMENDED MOUNTING HARDWARE: TO BE ORDERED SEPARATELY.

- FOR PANEL MOUNTING, USE

1650402-1: SHOULDER SCREW, #8-32

1650106-1: SHOULDER SCREW, #6-32

1650589-1: SHOULDER SCREW, M4X0.7

- FOR PCB MOUNTING, USE COMMERCIALY AVAILABLE SCREW AND WASHER (IF REQUIRED).

2. MATERIALS:

HOUSING: THERMOPLASTIC, GLASS REINFORCED, COLOR-BLACK
UL94V-0 FLAMMABILITY RATED.




RETENTION CLIP: COPPER ALLOY OR STAINLESS STEEL

1. PART NUMBER CHANGES AND OR DESIGN CHANGES AFFECTING ITEM INTERCHANGEABILITY REQUIRE PRIOR ELCON APPROVAL AND AUTHORIZATION BY REVISION TO THIS DRAWING.

NOTES: UNLESS OTHERWISE SPECIFIED

1648115-1 AS SHOWN

PART NUMBER DESCRIPTION

<small>INCH MM</small> OR INCH (MM)  THIRD ANGLE PROJECTION UNLESS OTHERWISE SPECIFIED DIMENSIONS ARE IN INCHES (METRIC) TOLERANCES ANGLES ± .5° DECIMALS .XXX ± .010 (.25) .XX ± .02 (.3)	DRAWN HA NGUYEN	DATE 03/07/06	 Tyco Electronics Corporation Menlo Park, Ca 94025 
	CHECKED		
	APPROVED		
	APPROVED STEVE FLICKINGER	03/07/06	
	DCA APPROVED HA NGUYEN	03/07/06	TITLE CONNECTOR, SOCKET HOUSING #12, #20, #12 CONFIGURATION MINI DRAWER
	ACAD FILE NUMBER C1648115A.DWG		SIZE DWG NUMBER B C = 1648115
			REV. A
			DWG SCALE 1=1 SH 1 OF 3

4

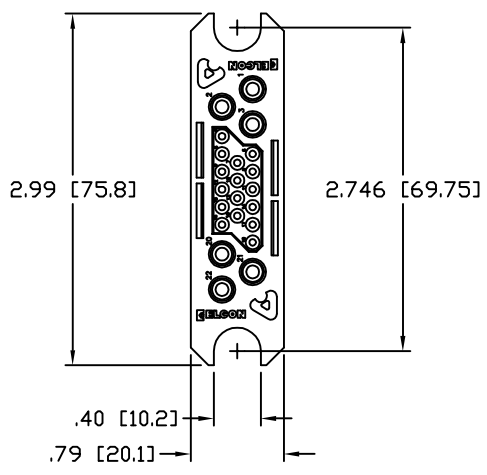
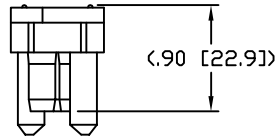
3

2

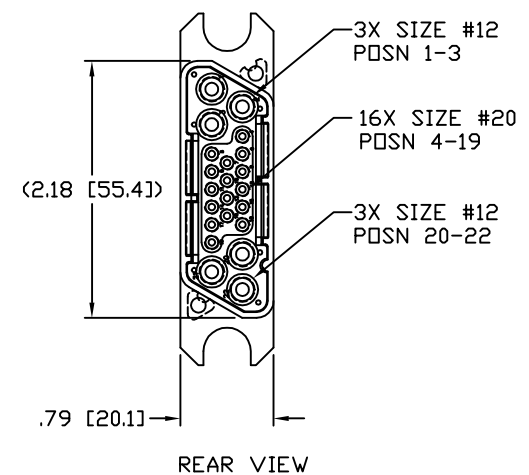
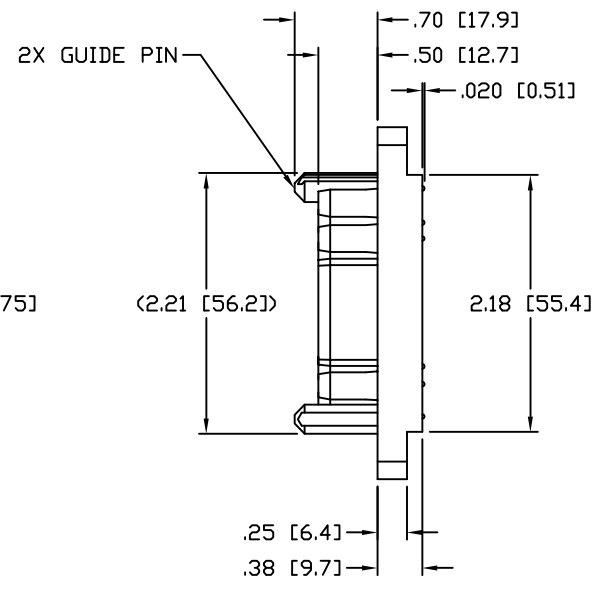
1

This drawing involves proprietary design rights of Tyco Electronics Corporation, and all design, manufacture, reproduction, use and sale rights regarding the same are expressly reserved. It is submitted for a specific purpose and the recipient by accepting this drawing, assumes custody and control and agrees to take reasonable precautions: (a) that this drawing will not be copied and reproduced, in whole or in part, or its contents revealed in any manner, or to any person except to meet the purpose for which it was delivered and (b) that any special features peculiar to this design will not be incorporated in other projects without the expressed written permission of Tyco Electronics Corporation.

REVISIONS			
EC	REV	DESCRIPTION	DATE
		SEE SHEET 1	



FRONT VIEW

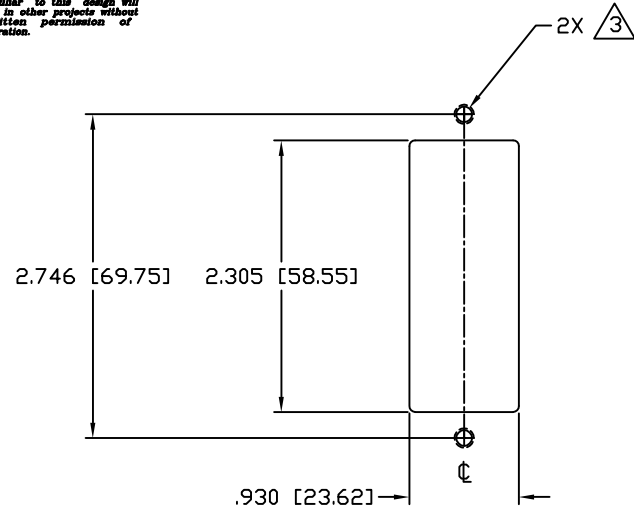


REAR VIEW

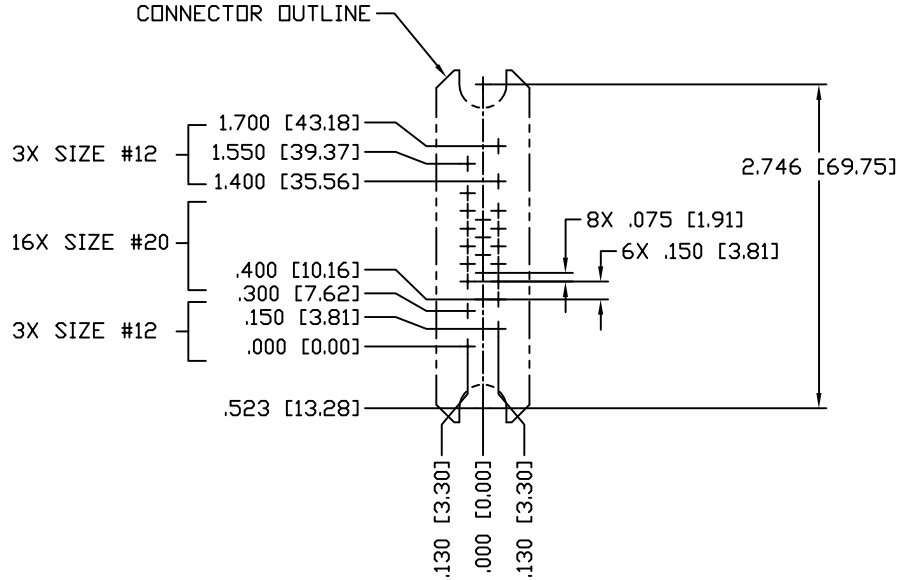
INCH OR INCH (MM) THIRD ANGLE PROJECTION UNLESS OTHERWISE SPECIFIED DIMENSIONS ARE IN INCHES (METRIC) TOLERANCES ANGLES ± .5° DECIMALS .XXX ± .010 (.25) .XX ± .02 (.3)	DRAWN	DATE	Tyco Electronics Corporation Menlo Park, Ca 94025
	HA NGUYEN	03/07/06	
	CHECKED		TITLE
	APPROVED		CONNECTOR, SOCKET HOUSING #12, #20, #12 CONFIGURATION MINI DRAWER
	APPROVED		SIZE DWG NUMBER
	STEVE FLICKINGER	03/07/06	B C = 1648115
	DCA APPROVED		REV.
	HA NGUYEN	03/07/06	A
	ACAD FILE NUMBER	C1648115A.DWG	DWG SCALE 1=1 SH 2 OF 3

This drawing involves proprietary design rights of Tyco Electronics Corporation, and all design, manufacture, reproduction, use and sale rights regarding the same are expressly reserved. It is submitted for a specific purpose and the recipient by accepting this drawing, assumes custody and control and agrees to take reasonable precautions: (a) that this drawing will not be copied and reproduced, in whole or in part, or its contents revealed in any manner, or to any person except to meet the purpose for which it was delivered and (b) that any special features peculiar to this design will not be incorporated in other projects without the expressed written permission of Tyco Electronics Corporation.

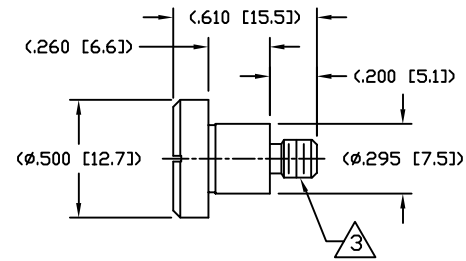
REVISIONS			
EC	REV	DESCRIPTION	DATE
		SEE SHEET 1	



RECOMMENDED PANEL CUTOUT
AS VIEWED FROM CONNECTOR MOUNTING SIDE
(FRONT VIEW)



CONTACT LAYOUT
AS VIEWED FROM CONNECTOR MOUNTING SIDE
(FRONT VIEW)



SHOULDER SCREW
SCALE 2:1
SHOWN FOR REFERENCE ONLY

INCH OR INCH (MM) THIRD ANGLE PROJECTION UNLESS OTHERWISE SPECIFIED DIMENSIONS ARE IN INCHES (METRIC) TOLERANCES ANGLES ± .5° DECIMALS .XXX ± .010 (.25) .XX ± .02 (.3)	DRAWN HA NGUYEN	DATE 03/07/06	Tyco Electronics Corporation Menlo Park, Ca 94025 	
	CHECKED	TITLE USER INFORMATION RECOMMENDED PANEL CUTOUT AND CONTACT LAYOUT		
	APPROVED	APPROVED STEVE FLICKINGER DCA APPROVED HA NGUYEN	DATE 03/07/06 03/07/06	SIZE B
	ACAD FILE NUMBER C1648115A.DWG	DWG NUMBER C = 1648115	REV. A	DWG SCALE 1=1 SH 3 OF 3