



Chipsmall Limited consists of a professional team with an average of over 10 year of expertise in the distribution of electronic components. Based in Hongkong, we have already established firm and mutual-benefit business relationships with customers from,Europe,America and south Asia,supplying obsolete and hard-to-find components to meet their specific needs.

With the principle of “Quality Parts,Customers Priority,Honest Operation,and Considerate Service”,our business mainly focus on the distribution of electronic components. Line cards we deal with include Microchip,ALPS,ROHM,Xilinx,Pulse,ON,Everlight and Freescale. Main products comprise IC,Modules,Potentiometer,IC Socket,Relay,Connector.Our parts cover such applications as commercial,industrial, and automotives areas.

We are looking forward to setting up business relationship with you and hope to provide you with the best service and solution. Let us make a better world for our industry!



## Contact us

Tel: +86-755-8981 8866 Fax: +86-755-8427 6832

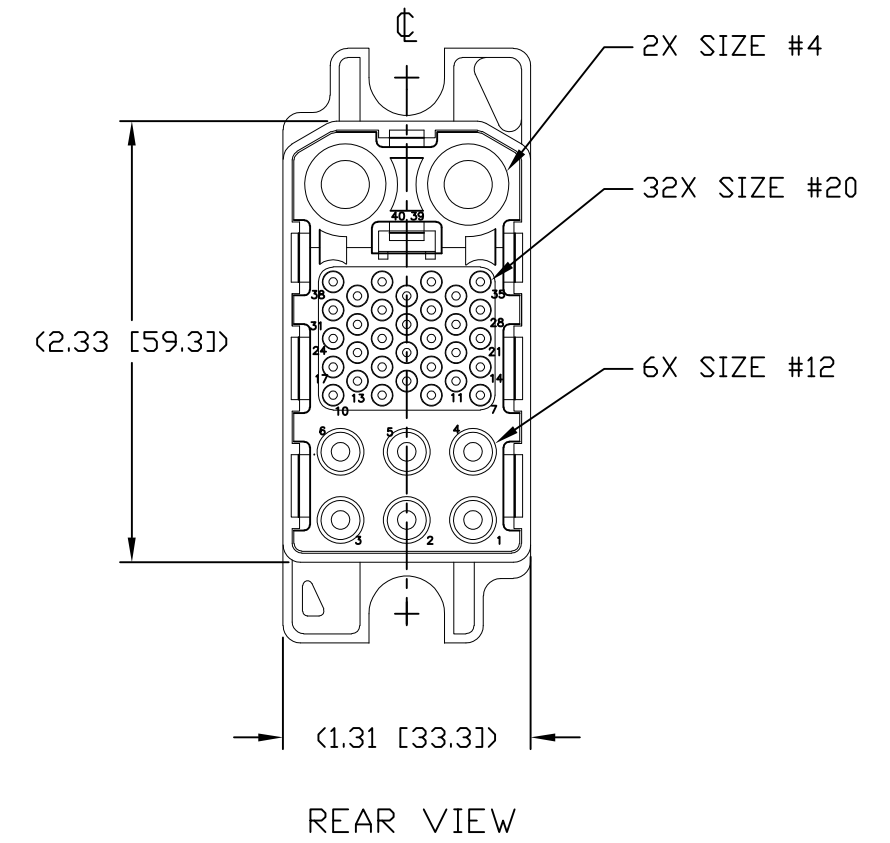
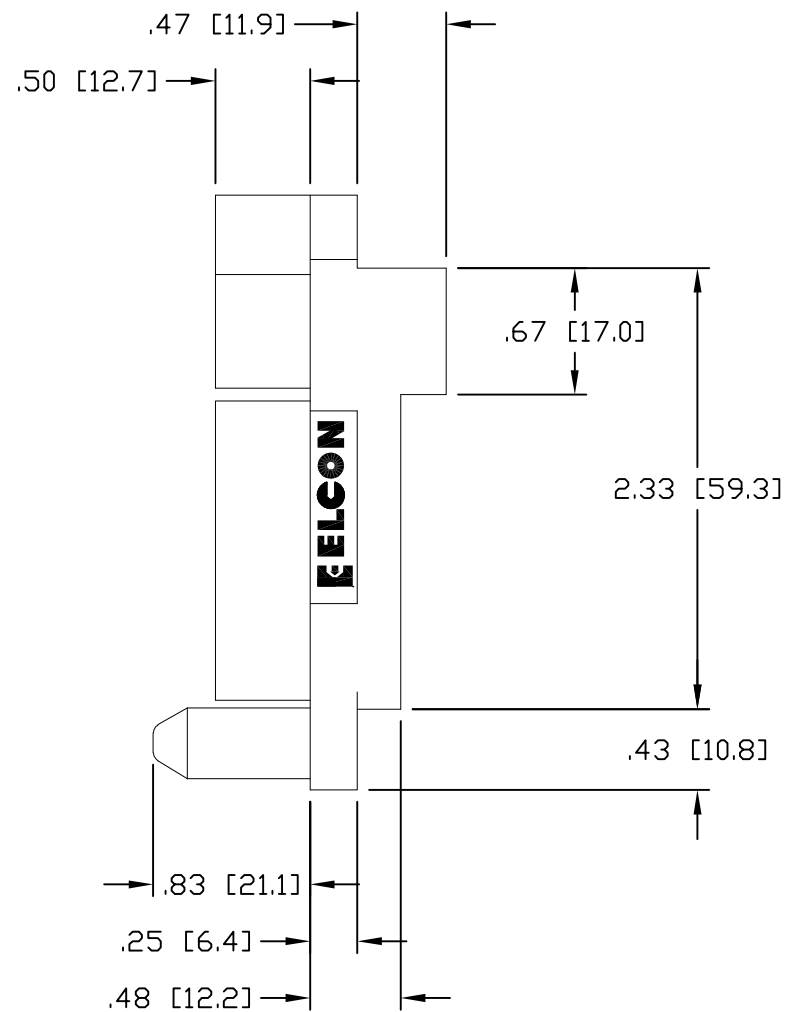
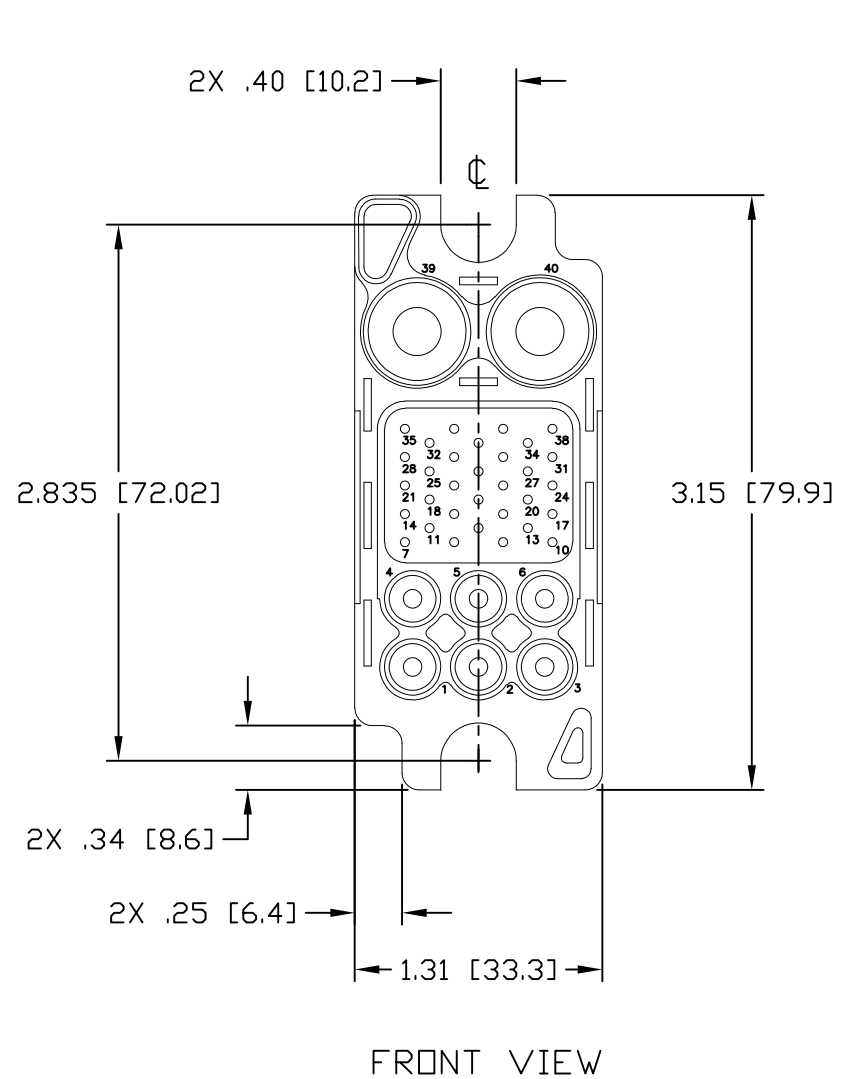
Email & Skype: info@chipsmall.com Web: www.chipsmall.com

Address: A1208, Overseas Decoration Building, #122 Zhenhua RD., Futian, Shenzhen, China

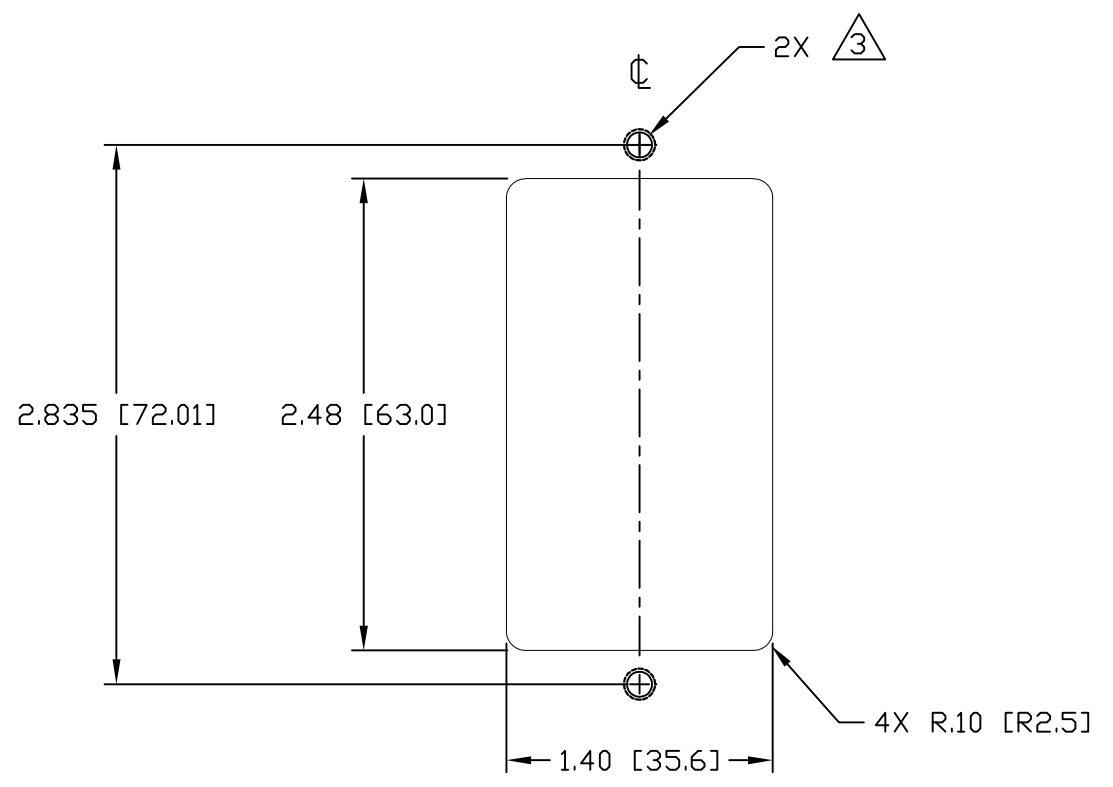




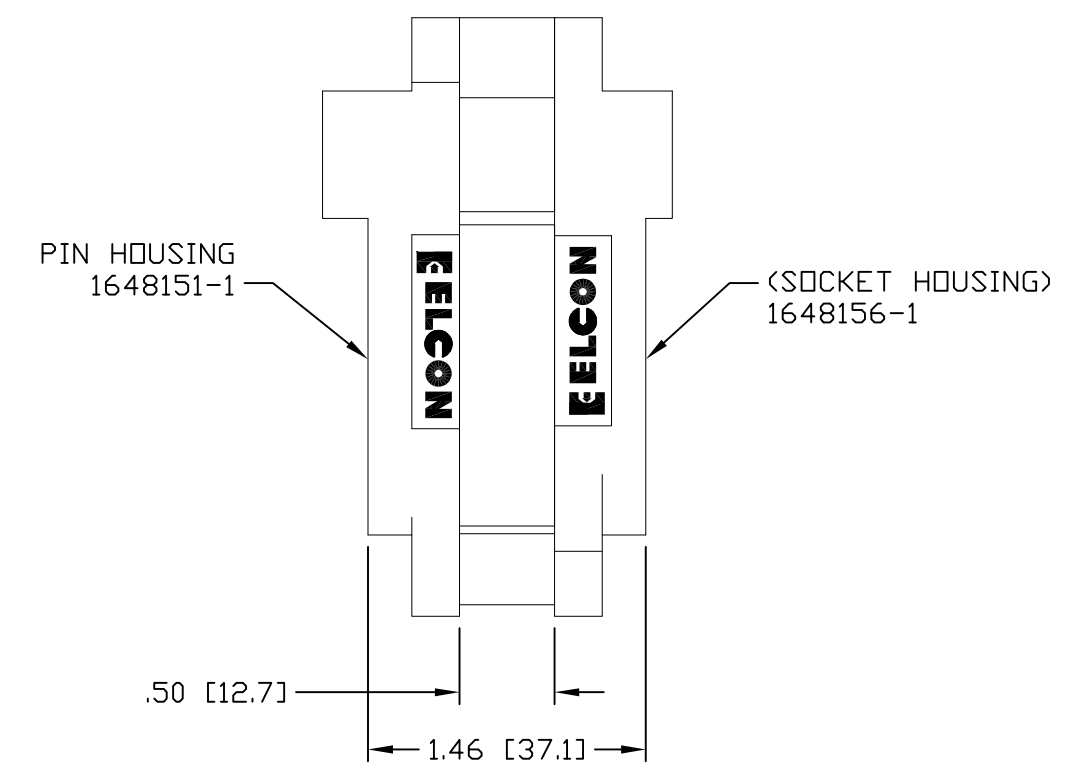
THIS DRAWING IS UNPUBLISHED.		RELEASED FOR PUBLICATION		EC	LOC	DIST	REVISIONS					
© COPYRIGHT - By -		ALL RIGHTS RESERVED.					P	LTR	DESCRIPTION	DATE	DWN	APVD
								-	SEE SHEET 1	-	-	-



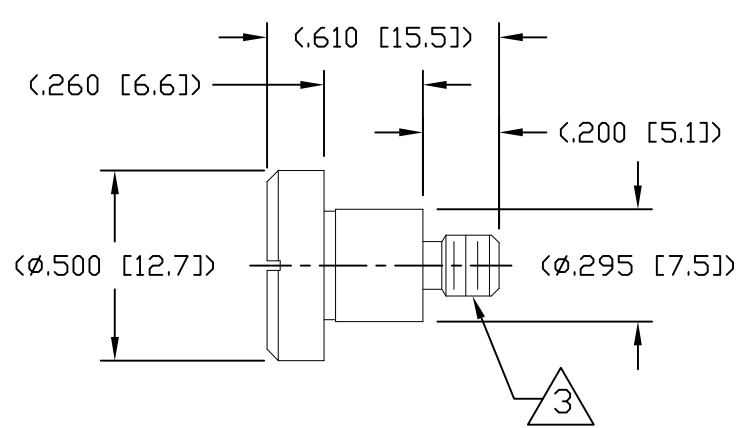
THIS DRAWING IS A CONTROLLED DOCUMENT.		DWN	HA NGUYEN 03/25/06		<b>STE</b> TE Connectivity			
DIMENSIONS: INCH(MM)		CHK	-					
TOLERANCES UNLESS OTHERWISE SPECIFIED:		APVD	STEVE FLICKINGER 03/25/06		NAME CONNECTOR, PIN HOUSING 2X#4, 32X#20, 6X#12, FLOAT MOUNT 125A MIDDLE DRAWER			
0 PLC ± -		PRODUCT SPEC	-					
1 PLC ± -		APPLICATION SPEC	-		SIZE	CAGE CODE	DRAWING NO	RESTRICTED TO
2 PLC ± 0.02(0.3)		WEIGHT	-		A3	00779	C-1648151	-
3 PLC ± 0.010(0.25)		CUSTOMER DRAWING			SCALE	SHEET	REV	
4 PLC ± -					1:1	2 OF 3	A1	
ANGLES ± 0.5°								
MATERIAL	FINISH							
-	-							




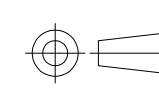
RECOMMENDED PANEL CUTOUT  
AS VIEWED FROM CONNECTOR MOUNTING SIDE  
(FRONT VIEW)



MATED CONDITION



SHOULDER SCREW  
SCALE 2:1  
SHOWN FOR REFERENCE ONLY

THIS DRAWING IS A CONTROLLED DOCUMENT.		DWN HA NGUYEN 03/25/06	 TE Connectivity		
DIMENSIONS: INCH(MM)		CHK -			
		TOLERANCES UNLESS OTHERWISE SPECIFIED:		APVD STEVE FLICKINGER 03/25/06	
		0 PLC ± - 1 PLC ± - 2 PLC ± 0.02(0.3) 3 PLC ± 0.010(0.25) 4 PLC ± - ANGLES ± 0.5°		PRODUCT SPEC	
MATERIAL		FINISH		APPLICATION SPEC	
-		-		-	
CUSTOMER DRAWING			WEIGHT	-	
-			SIZE	CAGE CODE	DRAWING NO
-			A3	00779	C-1648151
-			SCALE	SHEET	REV
-			1:1	3 OF 3	A1
-			RESTRICTED TO		
-			-		