



Chipsmall Limited consists of a professional team with an average of over 10 year of expertise in the distribution of electronic components. Based in Hongkong, we have already established firm and mutual-benefit business relationships with customers from,Europe,America and south Asia,supplying obsolete and hard-to-find components to meet their specific needs.

With the principle of “Quality Parts,Customers Priority,Honest Operation,and Considerate Service”,our business mainly focus on the distribution of electronic components. Line cards we deal with include Microchip,ALPS,ROHM,Xilinx,Pulse,ON,Everlight and Freescale. Main products comprise IC,Modules,Potentiometer,IC Socket,Relay,Connector.Our parts cover such applications as commercial,industrial, and automotives areas.

We are looking forward to setting up business relationship with you and hope to provide you with the best service and solution. Let us make a better world for our industry!



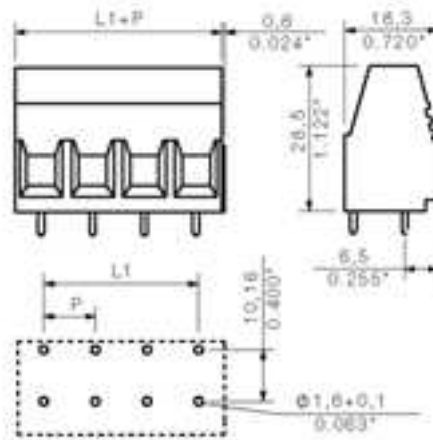
Contact us

Tel: +86-755-8981 8866 Fax: +86-755-8427 6832

Email & Skype: info@chipsmall.com Web: www.chipsmall.com

Address: A1208, Overseas Decoration Building, #122 Zhenhua RD., Futian, Shenzhen, China





General ordering data

Order No.	1648300000
Part designation	LU 10.16/3/90 2STI/4.5
Version	PCB terminal, Clamping yoke connection, Soldered connection, Clamping range, max.: 16 mm ² , Pitch: 10.16 mm, No. of poles: 3, 90°, Box
EAN	4008190291167
Qty.	20 pc(s).

System parameters

Product family	System LU
Conductor connection system	Clamping yoke connection
Fitted to PCB	Soldered connection
Outgoing direction of conductor	90°
Pitch	10.16 mm
Pitch in inch	0.4 inch
No. of poles	3
Fitted by customer	yes
Max. adjacent poles per row	10
No. of rows	1
Solder pin length	4.5 mm
Dia. of fitting hole	1.6 mm
Fitting hole tolerance	+ 0.1 mm
No. of solder pins per pole	2

System parameters

Screwdriver blade	1.0 x 5.5
Screwdriver blade standard	DIN 5264
Tightening torque, min.	1.2 Nm
Tightening torque, max.	1.5 Nm
Clamping screw	M 4
Stripping length	12 mm
L1 in mm	20.32 mm
L1 in inch	0.8 inch
Electric shock protection to DIN VDE 0470	IP20 plugged/ IP10 unplugged
Electric shock protection to DIN VDE 0470	Safe from finger touch

Material data

Insulating material	Wemid (PA)
Colour	pebble grey
colour chart	Similar to RAL 7032
Insulating material group	I
Flammability class UL 94	V-0
CTI	>= 600
Temperature of glow-wire test	960 °C
Duration of glow-wire test	30 S
Contact base material	E-Cu
Contact surface	tinned
Storage temperature, min.	-25 °C
Storage temperature, max.	55 °C

Connectable conductors

Clamping range, min.	0.14 mm ²
Clamping range, max.	16 mm ²
AWG, min.	22
AWG, max.	8
Solid, min. H05(07) V-U	0.5 mm ²
Solid, max. H05(07) V-U	16 mm ²
Stranded, min. H07V-R	6 mm ²
Stranded, max. H07V-R	16 mm ²
Flexible, min. H05(07) V-K	0.5 mm ²
Flexible, max. H05(07) V-K	16 mm ²
With wire end ferrule, acc. to DIN 46 228/1, min.	2.5 mm ²
With wire end ferrule, acc. to DIN 46 228/1, max.	10 mm ²
w. plastic collar ferrule, DIN 46228 pt 4, min.	2.5 mm ²
w. plastic collar ferrule, DIN 46228 pt 4, max.	10 mm ²
Gauge to EN 60999 a x b; ø	5.4 mm x 5.1 mm; 5.3 mm

DIN IEC rating data

Rated current, min. No. pins (Tu=20°C)	76 A
Rated current, max. No. pins (Tu=20°C)	72 A
Rated current, min. No. pins (Tu=40°C)	76 A
Rated current, max. No. pins (Tu=40°C)	62 A
Rated voltage for overvoltage class/pollution severity II/2	1,000 V
Rated voltage for overvoltage class/pollution severity III/2	690 V

DIN IEC rating data

Rated voltage for overvoltage class/pollution severity III/3	690 V
Rated impulse withstand voltage for overvoltage class/pollution severity II/2	4 kV
Rated impulse withstand voltage for overvoltage class/pollution severity III/2	6 kV
Rated impulse withstand voltage for overvoltage class/pollution severity III/3	6 kV
Short-time withstand current resistance	2 x 1s with 700 A

CSA rating data

Rated current (Use group C)	65 A
Rated voltage (Use group C)	150 V
Rated voltage (Use group D)	300 V
Rated current (Use group D)	10 A
AWG conductor (field wiring), min.	22
AWG conductor (field wiring), max.	6

UL 1059 rating data

Rated voltage (Use group C)	150 V
Rated current (Use group C)	65 A
Rated voltage (Use group D)	300 V
Rated current (Use group D)	10 A
AWG conductor, min.	26
AWG conductor, max.	6

Approvals

Approvals institutes

**Downloads**

CAD Library (P-CAD Format - Standard)	LU.lib
---------------------------------------	--------

Classifications

ETIM 2.0	NK
ETIM 3.0	EC001284
eClass 4.1	NK
eClass 5.0	NK
eClass 5.1	NK

Similar products

Order No.	Part designation	Version
1648310000	LU 10.16/2/90 2STI/4.5	PCB terminal, Clamping yoke connection, Soldered connection, Clamping range, max.: 16 mm ² , Pitch: 10.16 mm, No. of poles: 2, 90°, Box

9956390000	LU 10.16/4/90 4.5 GR	PCB terminal, Clamping yoke connection, Soldered connection, Clamping range, max.: 16 mm ² , Pitch: 10.16 mm, No. of poles: 4, 90°, Box
9956400000	LU 10.16/5/90 4.5 GR	PCB terminal, Clamping yoke connection, Soldered connection, Clamping range, max.: 16 mm ² , Pitch: 10.16 mm, No. of poles: 5, 90°, Box
9956410000	LU 10.16/6/90 4.5 GR	PCB terminal, Clamping yoke connection, Soldered connection, Clamping range, max.: 16 mm ² , Pitch: 10.16 mm, No. of poles: 6, 90°, Box
9956420000	LU 10.16/7/90 4.5 GR	PCB terminal, Clamping yoke connection, Soldered connection, Clamping range, max.: 16 mm ² , Pitch: 10.16 mm, No. of poles: 7, 90°, Box
9956430000	LU 10.16/8/90 4.5 GR	PCB terminal, Clamping yoke connection, Soldered connection, Clamping range, max.: 16 mm ² , Pitch: 10.16 mm, No. of poles: 8, 90°, Box
9956440000	LU 10.16/9/90 4.5 GR	PCB terminal, Clamping yoke connection, Soldered connection, Clamping range, max.: 16 mm ² , Pitch: 10.16 mm, No. of poles: 9, 90°, Box
9956450000	LU 10.16/10/90 4.5 GR	PCB terminal, Clamping yoke connection, Soldered connection, Clamping range, max.: 16 mm ² , Pitch: 10.16 mm, No. of poles: 10, 90°, Box