

Chipsmall Limited consists of a professional team with an average of over 10 year of expertise in the distribution of electronic components. Based in Hongkong, we have already established firm and mutual-benefit business relationships with customers from,Europe,America and south Asia,supplying obsolete and hard-to-find components to meet their specific needs.

With the principle of “Quality Parts,Customers Priority,Honest Operation,and Considerate Service”,our business mainly focus on the distribution of electronic components. Line cards we deal with include Microchip,ALPS,ROHM,Xilinx,Pulse,ON,Everlight and Freescale. Main products comprise IC,Modules,Potentiometer,IC Socket,Relay,Connector.Our parts cover such applications as commercial,industrial, and automotives areas.

We are looking forward to setting up business relationship with you and hope to provide you with the best service and solution. Let us make a better world for our industry!



Contact us

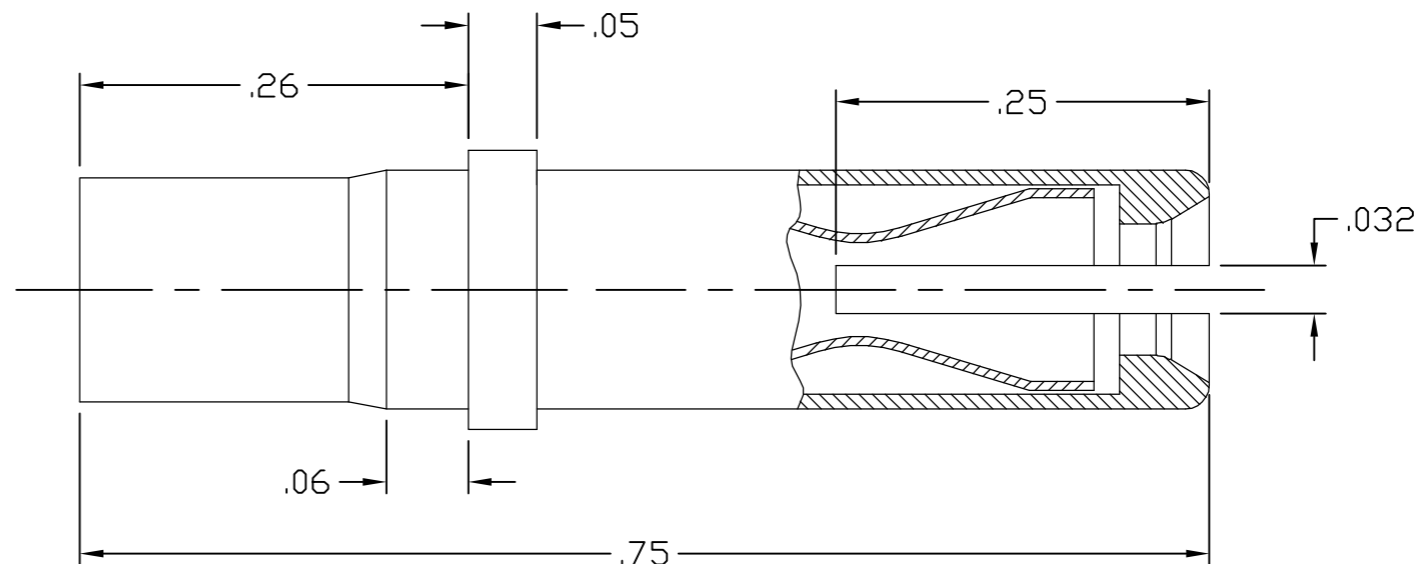
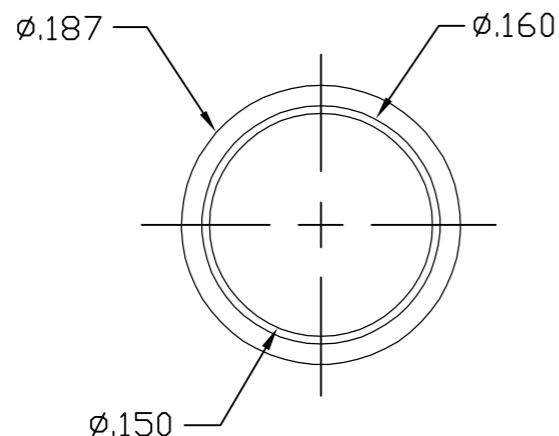
Tel: +86-755-8981 8866 Fax: +86-755-8427 6832

Email & Skype: info@chipsmall.com Web: www.chipsmall.com

Address: A1208, Overseas Decoration Building, #122 Zhenhua RD., Futian, Shenzhen, China

This drawing involves proprietary design rights of Tyco Electronics Corporation, and all design, manufacture, reproduction, use and sale rights regarding the same are expressly reserved. It is submitted for a specific purpose and the recipient by accepting this drawing, assumes custody and control and agrees to take reasonable precautions; (a) that this drawing will not be copied and reproduced, in whole or in part, or its contents revealed in any manner, or to any person except to meet the purpose for which it was delivered and (b) that any special features peculiar to this design will not be incorporated in other projects without the expressed written permission of Tyco Electronics Corporation.

REVISIONS			
EC	REV	DESCRIPTION	DATE
CPR	B	NEW RELEASE	3/27/07



5. ELCON EQUIVALENT SERIES 708-73-01109.
4. FOR TERMINATION, USE FOLLOWING EQUIPMENT:
CRIMP TOOL: M22520/1-01
LOCATOR: M22520/1-02
3. FINISHES:
SOCKET CONTACT: GOLD PLATE, .000005 MIN THICK OVER NICKEL, .000040 MIN THICK
CROWN BAND: GOLD PLATE, .000030 MIN THICK OVER NICKEL, .000040 MIN THICK
HOOD: GOLD PLATE, .000010 MIN THICK OVER NICKEL, .000075 MIN THICK

2. MATERIAL:
SOCKET CONTACT: COPPER ALLOY.
CROWN BAND: COPPER ALLOY.
HOOD: COPPER ALLOY.

1. PART NUMBER CHANGES AND OR DESIGN CHANGES AFFECTING ITEM INTERCHANGEABILITY REQUIRE PRIOR TYCO APPROVAL AND AUTHORIZATION BY REVISION TO THIS DRAWING.

NOTES: UNLESS OTHERWISE SPECIFIED

TYCO PART NUMBER
1648384-1

INCH OR INCH (MM) THIRD ANGLE PROJECTION UNLESS OTHERWISE SPECIFIED DIMENSIONS ARE IN INCHES (METRIC) TOLERANCES ANGLES ± .5° DECIMALS .XXX ± .010 (.25) .XX ± .02 (.5)	DRAWN R. F. A.	DATE 3/17/06	 Tyco Electronics Corporation Menlo Park, Ca 94025 	
	CHECKED			TITLE CONTACT, SOCKET, SIZE #12 CRIMP REMOVABLE, HOT PLUG
	APPROVED S. FLICKINGER			SIZE DWG NUMBER B C-1648384
	DCA APPROVED			REV. B
ACAD FILE NUMBER		C1648384A.DWG	DWG SCALE 8=1 SH 1 OF 1	