



Chipsmall Limited consists of a professional team with an average of over 10 year of expertise in the distribution of electronic components. Based in Hongkong, we have already established firm and mutual-benefit business relationships with customers from,Europe,America and south Asia,supplying obsolete and hard-to-find components to meet their specific needs.

With the principle of “Quality Parts,Customers Priority,Honest Operation,and Considerate Service”,our business mainly focus on the distribution of electronic components. Line cards we deal with include Microchip,ALPS,ROHM,Xilinx,Pulse,ON,Everlight and Freescale. Main products comprise IC,Modules,Potentiometer,IC Socket,Relay,Connector.Our parts cover such applications as commercial,industrial, and automotives areas.

We are looking forward to setting up business relationship with you and hope to provide you with the best service and solution. Let us make a better world for our industry!



Contact us

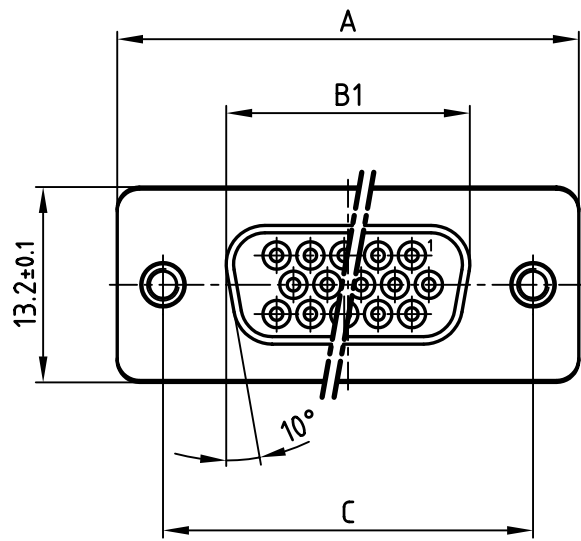
Tel: +86-755-8981 8866 Fax: +86-755-8427 6832

Email & Skype: info@chipsmall.com Web: www.chipsmall.com

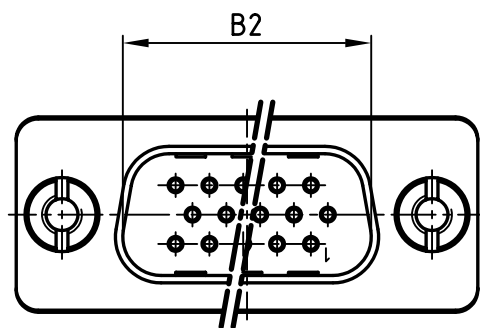
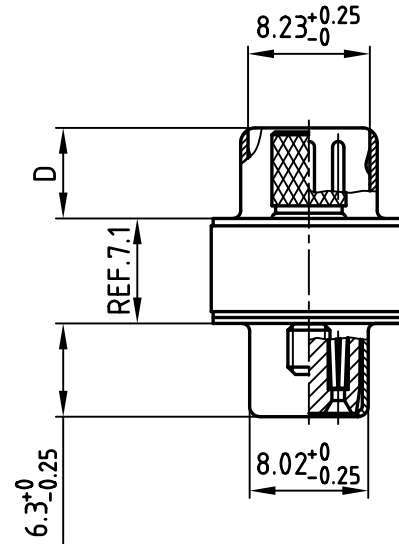
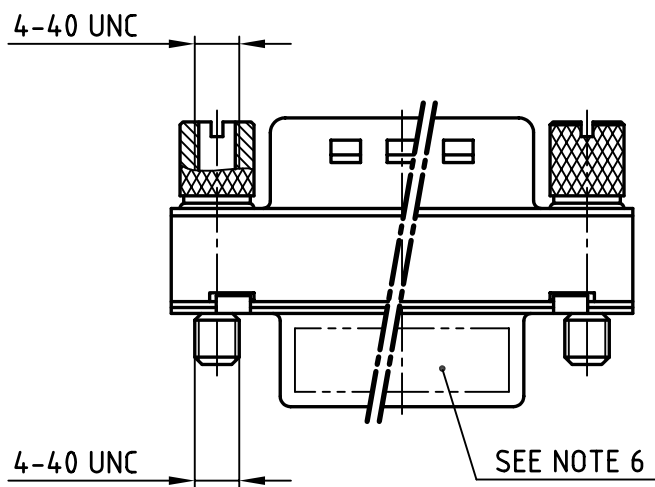
Address: A1208, Overseas Decoration Building, #122 Zhenhua RD., Futian, Shenzhen, China



used for: D-SUB HD



POS.	A ^{-0.76}	B1 ^{-0.25}	B2 ^{+0.25}	C	D ^{-0.3}	Art-Nr.
15	31.19	16.46	16.79	25.00 ^{+0.12} _{-0.13}	6.12	164A03399X
26	39.52	24.79	25.12	33.30 ^{+0.15} _{-0.1}	6.12	164A03919X
44	53.42	38.50	38.84	47.04±0.13	5.99	164A03929X
62	69.70	54.96	55.30	63.50±0.13	5.99	164A03939X



NOTES:

- METALSHELLS: STEEL; min. 320µin TIN
- INSULATORS: PBT GF UL 94 V-0, BLACK
- CONTACTS: COPPER ALLOY
PLATING: 8µin HARD GOLD OVER min. 50µin NICKEL
- THREADED INSERT: COPPER ALLOY; min. 200µin TIN over 80µin NICKEL
- MAXIMUM TORQUE VALUE FOR THREAD: 6 in.LB
- CONNECTOR IS PART MARKED: PART-NO. CONEC ABC

Directive 2002/95/EC
 „RoHS“
 Compliant

APPROVAL # FREIGABE # DEBLOCAGE # AUTOR/ZACION # APPROVAL	
CUSTOMER APPROVAL DATE:	
NAME:	TITLE:
COMPANY NAME:	
APPROVAL # FREIGABE # DEBLOCAGE # AUTOR/ZACION # APPROVAL	

THIS DRAWING MAY NOT BE COPIED OR REPRODUCED IN ANY WAY, AND MAY NOT BE PASSED ON TO A THIRD PARTY WITHOUT WRITTEN PERMISSION. OWNERSHIP AND COPYRIGHT OF CONEC GmbH DO NOT ALTER CAD DRAWING BY HAND	tolerance dim. in mm	scale: 2:1 material: SEE NOTES	title: D-SUB HD ADAPTER 15-62pos. MALE / FEMALE with Adapter screws 4-40 UNC
rev. description date name	2005 date name drawn 03.05. Schmidt appd. 03.05. Kühle norm DIN 41652 d-old	dwg no: AutoCAD 2004 16K1A1393 part no: SEE TABLE	DIN-A 3 sh:1/1

