



Chipsmall Limited consists of a professional team with an average of over 10 year of expertise in the distribution of electronic components. Based in Hongkong, we have already established firm and mutual-benefit business relationships with customers from,Europe,America and south Asia,supplying obsolete and hard-to-find components to meet their specific needs.

With the principle of “Quality Parts,Customers Priority,Honest Operation,and Considerate Service”,our business mainly focus on the distribution of electronic components. Line cards we deal with include Microchip,ALPS,ROHM,Xilinx,Pulse,ON,Everlight and Freescale. Main products comprise IC,Modules,Potentiometer,IC Socket,Relay,Connector.Our parts cover such applications as commercial,industrial, and automotives areas.

We are looking forward to setting up business relationship with you and hope to provide you with the best service and solution. Let us make a better world for our industry!



Contact us

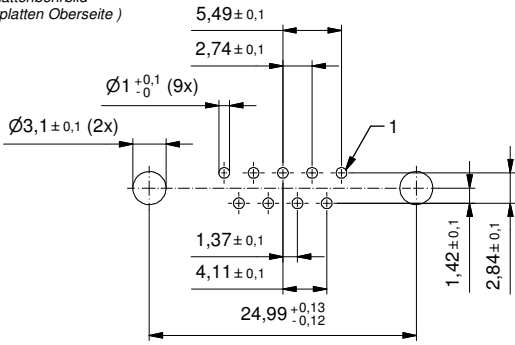
Tel: +86-755-8981 8866 Fax: +86-755-8427 6832

Email & Skype: info@chipsmall.com Web: www.chipsmall.com

Address: A1208, Overseas Decoration Building, #122 Zhenhua RD., Futian, Shenzhen, China



PCB hole drillings
(PCB top side) /
Leiterplattenbohrbild
(Leiterplatten Oberseite)



b) Technical specification:
Technische Daten:

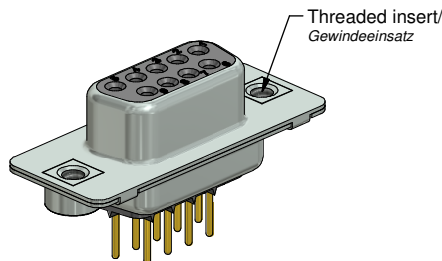
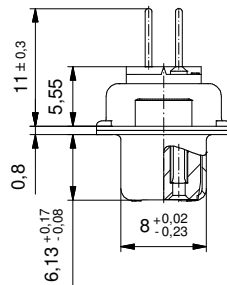
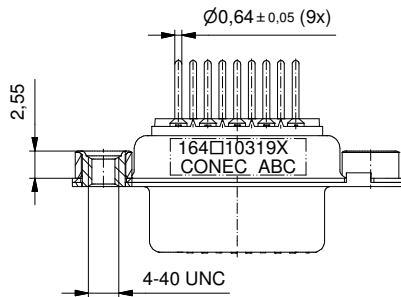
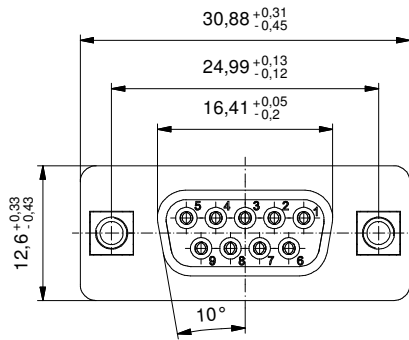
Working voltage/ Betriebsspannung:	125 V AC
Insulation resistance/ Isolationswiderstand:	≥5 GΩ
Dielectric withstanding voltage/ Spannungsfestigkeit:	1000 V, 50 Hz, 1 min.
Temperature range/ Temperaturbereich:	-55 °C ... +125 °C
Current rating/ Strombelastbarkeit:	7,5 A (UL) / 5 A (CSA, VDE)
Mating cycles/ Steckzyklen:	Quality class 1 = 500 Gütestufe 1 Quality class 2 = 200 Gütestufe 2 Quality class 3 = 50 Gütestufe 3

**Materials/
Werkstoffe:**

Contact/ Kontakt:	Cu alloy, Au over Ni
Insulator/ Isolierkörper:	PBT GF UL 94 V-0, black/schwarz
Shell/ Gehäuse:	Steel, Sn over Ni
Collar/ Scheibe:	Cu alloy, Sn over Ni
Threaded insert/ Gewindeinsatz:	Cu alloy, Sn over Ni

**Installation specification/
Montagedaten:**

Maximum torque Value for thread/ empfohlenes Drehmoment für Gewinde:	6 in.LB/ 67 Ncm
-------------------------------------------------------------------------------	--------------------



b)	Part no. / Part Marked/ Art.-Nr. / Bedruckung:	Contact plating/ Kontakt Veredelung:
	164A10319X	Gold Flash over Nickel Gold über Nickel
	164B10319X	20 µm Hard Gold over min. 50 µm Nickel 20 µm Gold über min. 50 µm Nickel
	164C10319X	30 µm Hard Gold over min. 50 µm Nickel 30 µm Gold über min. 50 µm Nickel

Index: b Ä6332 27.09.16 K.H. Status: InBearbeitung RoHS & REACH compliant/ konform	scale/Maßstab: 2:1		dwg no / Z.-nr.: 16K1A3845	DIN-A3 1 / 1
		Date/Datum: 27.09.16 Name: Henneboel appd./gepr.: 27.09.16 Name: Lehmenkühler		

The reproduction, distribution and utilization of this document as well as the communication of its contents to others without express authorization is prohibited. Offenders will be held liable for the payment of damages. Wir bitten Sie, die Weitergabe, Verbreitung und Nutzung dieses Dokuments, sowie die Kommunikation seiner Inhalte an Dritte ohne schriftliche Genehmigung des Herstellers zu unterlassen. Zuwiderhandlung ist strafbar.