



Chipsmall Limited consists of a professional team with an average of over 10 year of expertise in the distribution of electronic components. Based in Hongkong, we have already established firm and mutual-benefit business relationships with customers from,Europe,America and south Asia,supplying obsolete and hard-to-find components to meet their specific needs.

With the principle of “Quality Parts,Customers Priority,Honest Operation,and Considerate Service”,our business mainly focus on the distribution of electronic components. Line cards we deal with include Microchip,ALPS,ROHM,Xilinx,Pulse,ON,Everlight and Freescale. Main products comprise IC,Modules,Potentiometer,IC Socket,Relay,Connector.Our parts cover such applications as commercial,industrial, and automotives areas.

We are looking forward to setting up business relationship with you and hope to provide you with the best service and solution. Let us make a better world for our industry!



Contact us

Tel: +86-755-8981 8866 Fax: +86-755-8427 6832

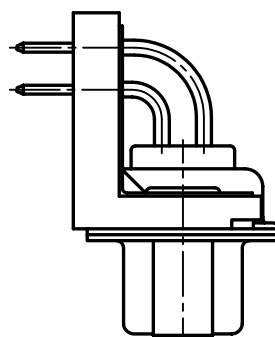
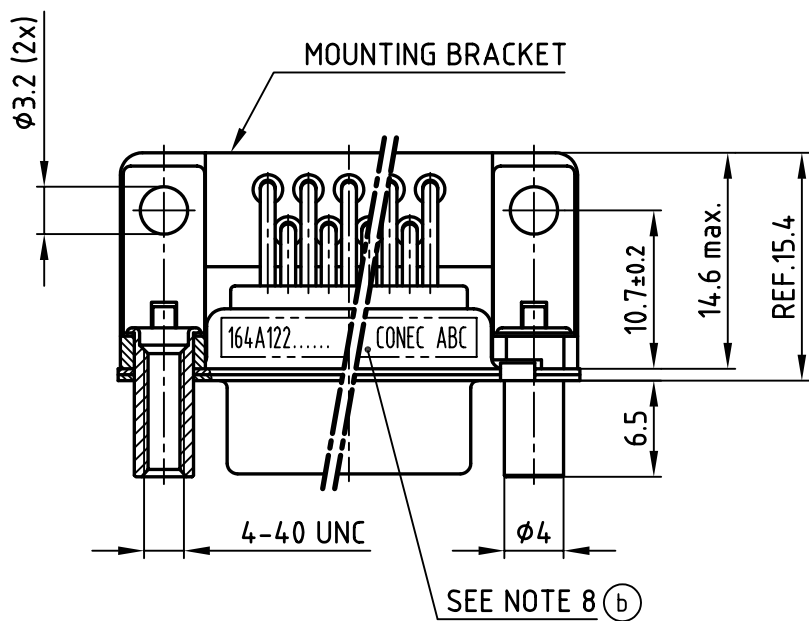
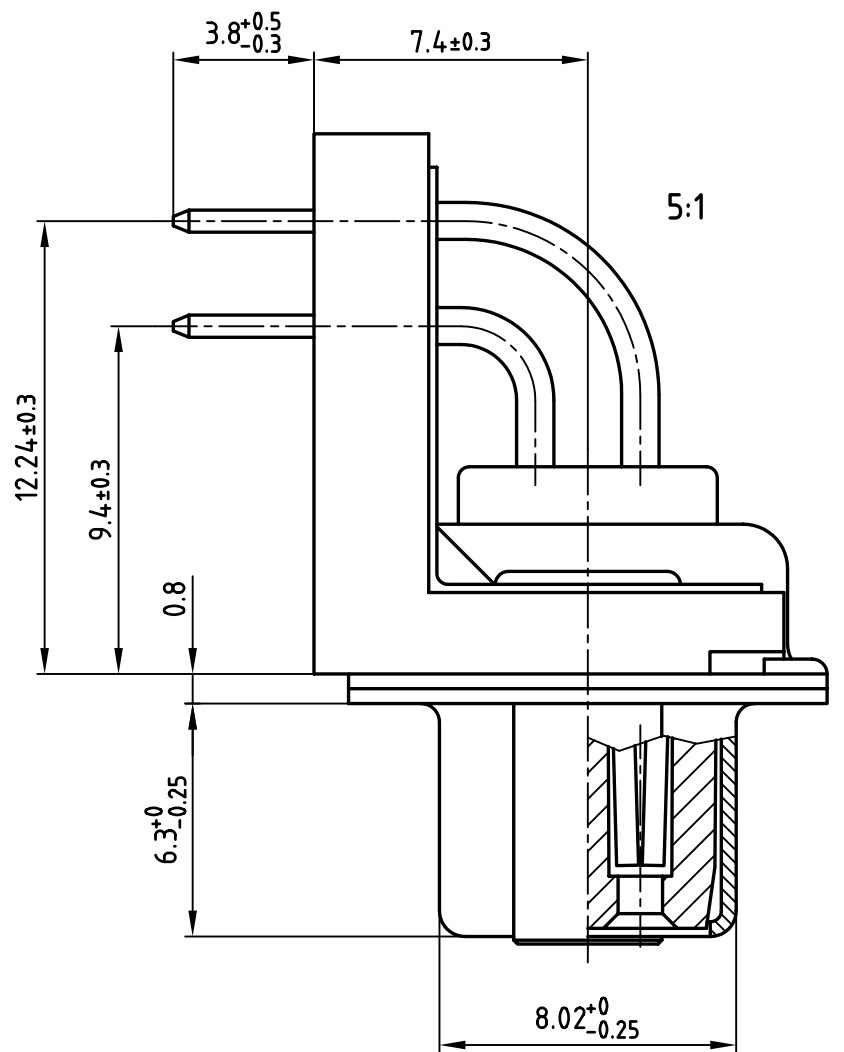
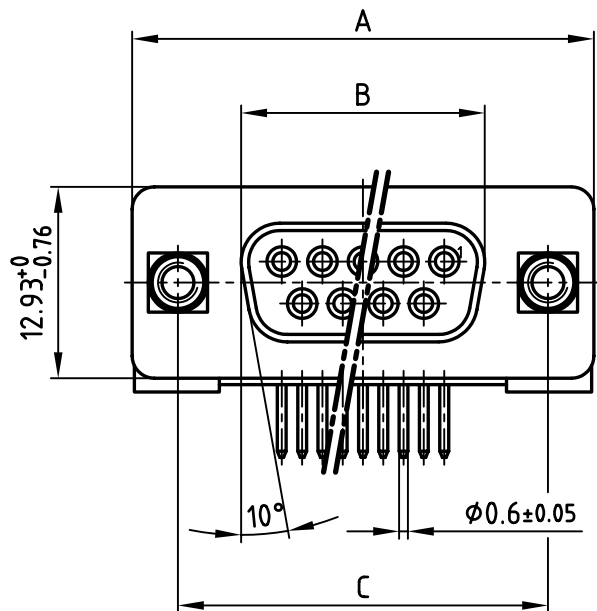
Email & Skype: info@chipsmall.com Web: www.chipsmall.com

Address: A1208, Overseas Decoration Building, #122 Zhenhua RD., Futian, Shenzhen, China



used for: D-SUB

POS.	A -0.76	B -0.25	C	PART NO.
9	31.19	16.46	25.00 ^{+0.12} / _{-0.13}	164A12229X
15	39.52	24.79	33.30 ^{+0.15} / _{-0.1}	164A12239X
25	53.42	38.50	47.04 ^{+0.13} / _{-0.13}	164A12249X
37	69.70	54.96	63.50 ^{+0.13} / _{-0.13}	164A12259X



NOTES:

- METALSHELLS: STEEL; min. 315µm TIN over 40-80µm NICKEL
- INSULATORS: PBT GF UL 94 V-0; BLACK
- CONTACTS: COPPER ALLOY
PLATING: 8µm HARD GOLD over min. 50µm NICKEL
- MOUNTING AND GROUNDING BRACKETS: PBT GF UL 94 V-0; BLACK
- THREADED LOCKS: COPPER ALLOY; min. 200µm TIN over 80µm NICKEL
- P.C.B. HOLE DRILLINGS ON SHEET 2
- MAXIMUM TORQUE VALUE FOR THREAD: 6 in.LB
- CONNECTOR IS PART MARKED: PART-NO. CONEC ABC

Directive 2002/95/EC
„RoHS“
Compliant

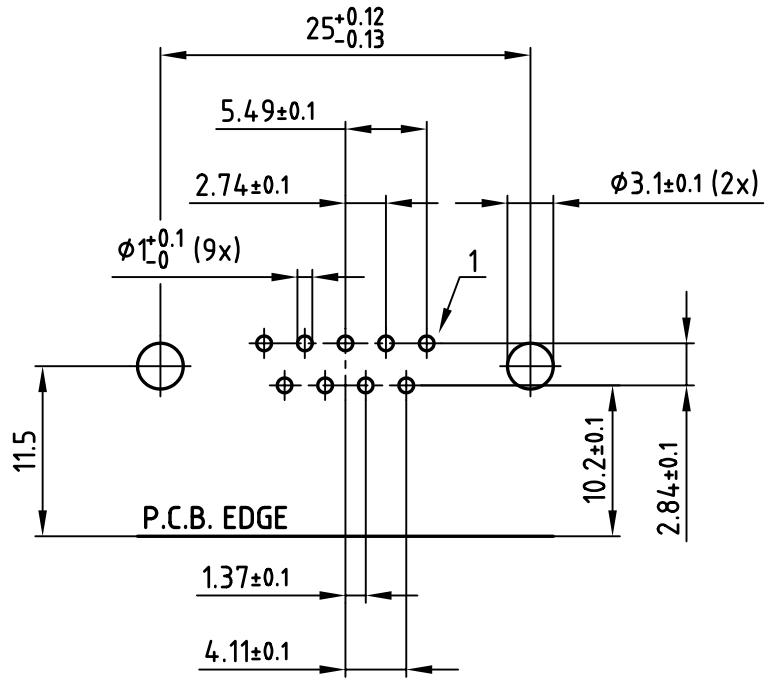
APPROVAL # FREIGABE # DEBLOCAGE # AUTORIZACION # APPROVAL	
CUSTOMER APPROVAL DATE:	
NAME:	TITLE:
COMPANY NAME:	
APPROVAL # FREIGABE # DEBLOCAGE # AUTORIZACION # APPROVAL	

THIS DRAWING MAY NOT BE COPIED OR REPRODUCED IN ANY WAY, AND MAY NOT BE PASSED ON TO A THIRD PARTY WITHOUT WRITTEN PERMISSION. OWNERSHIP AND COPYRIGHT OF CONEC GmbH			
DO NOT ALTER CAD DRAWING BY HAND			
1 x b	Ä 3462	20.10.09	Lehmen
a	Origin		
rev.	description	date	name

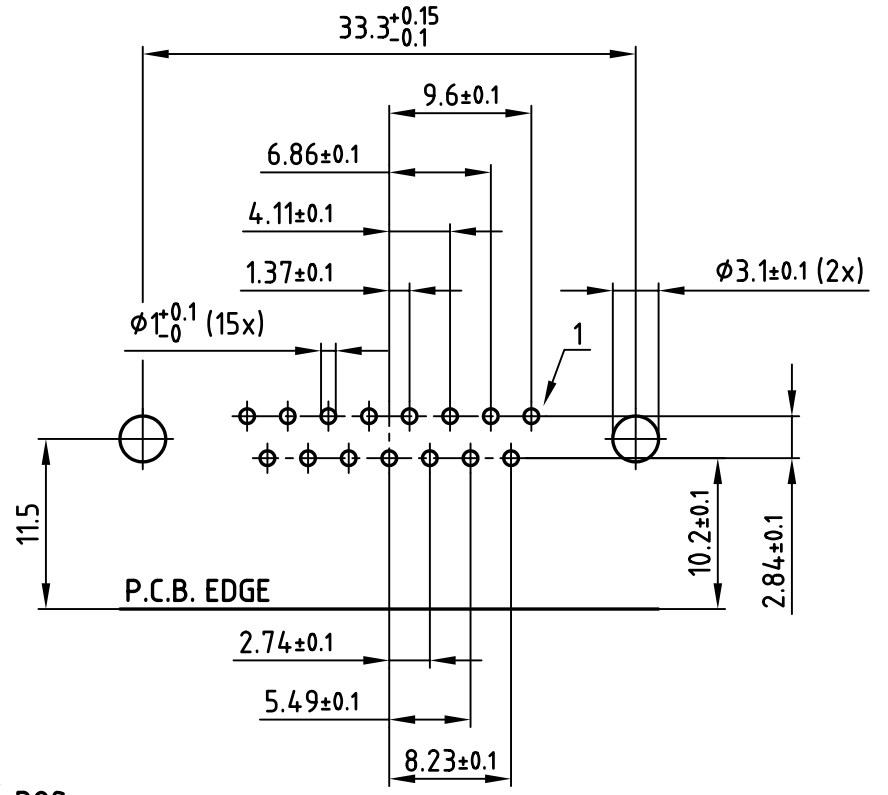
tolerance		 dim. in mm	scale: 2:1 (5:1)
			material: SEE NOTES
		title: D-SUB FEMALE 90° 9-37pos. 0.370inch threaded lock, mounting and grounding bracket	
		dwg no: AutoCAD 2006	
		16K1A167A	
		part no: SEE TABLE	
		DIN-A 3 sh:1/2	



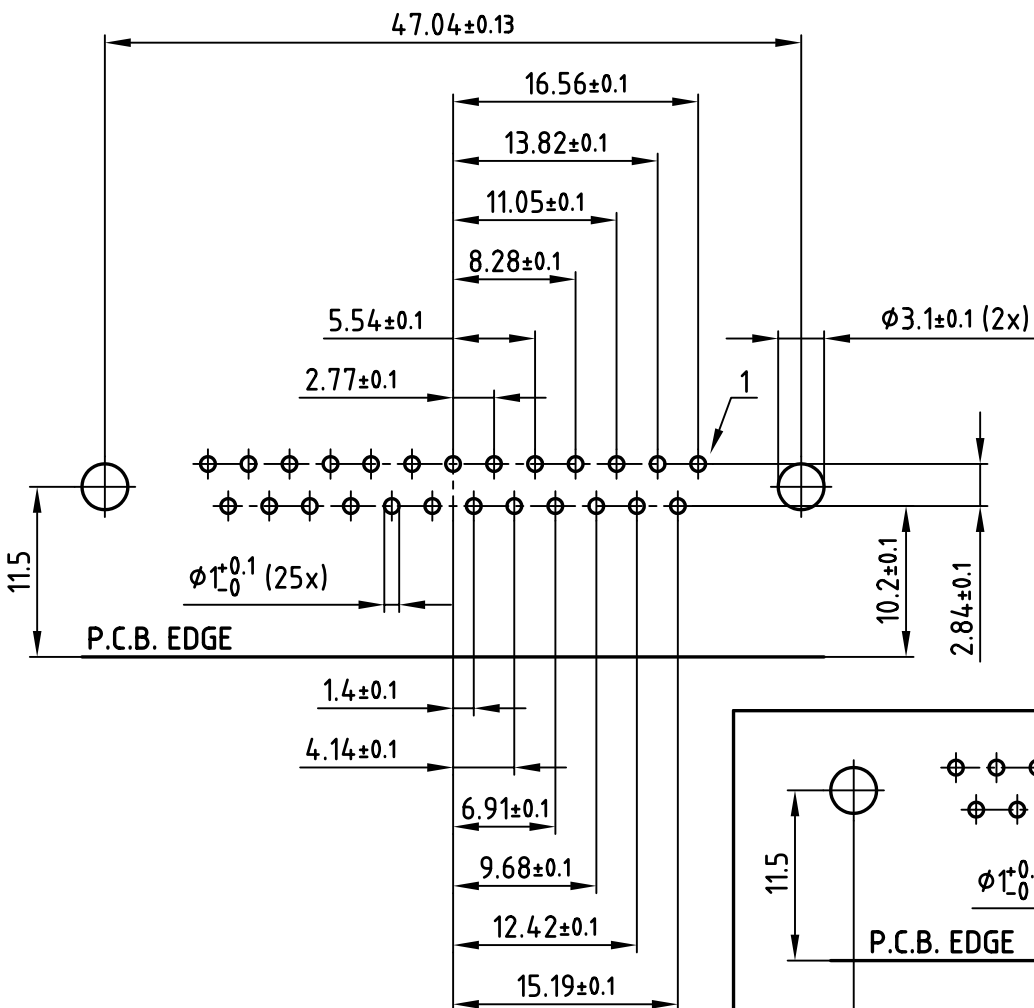
used for: D-SUB



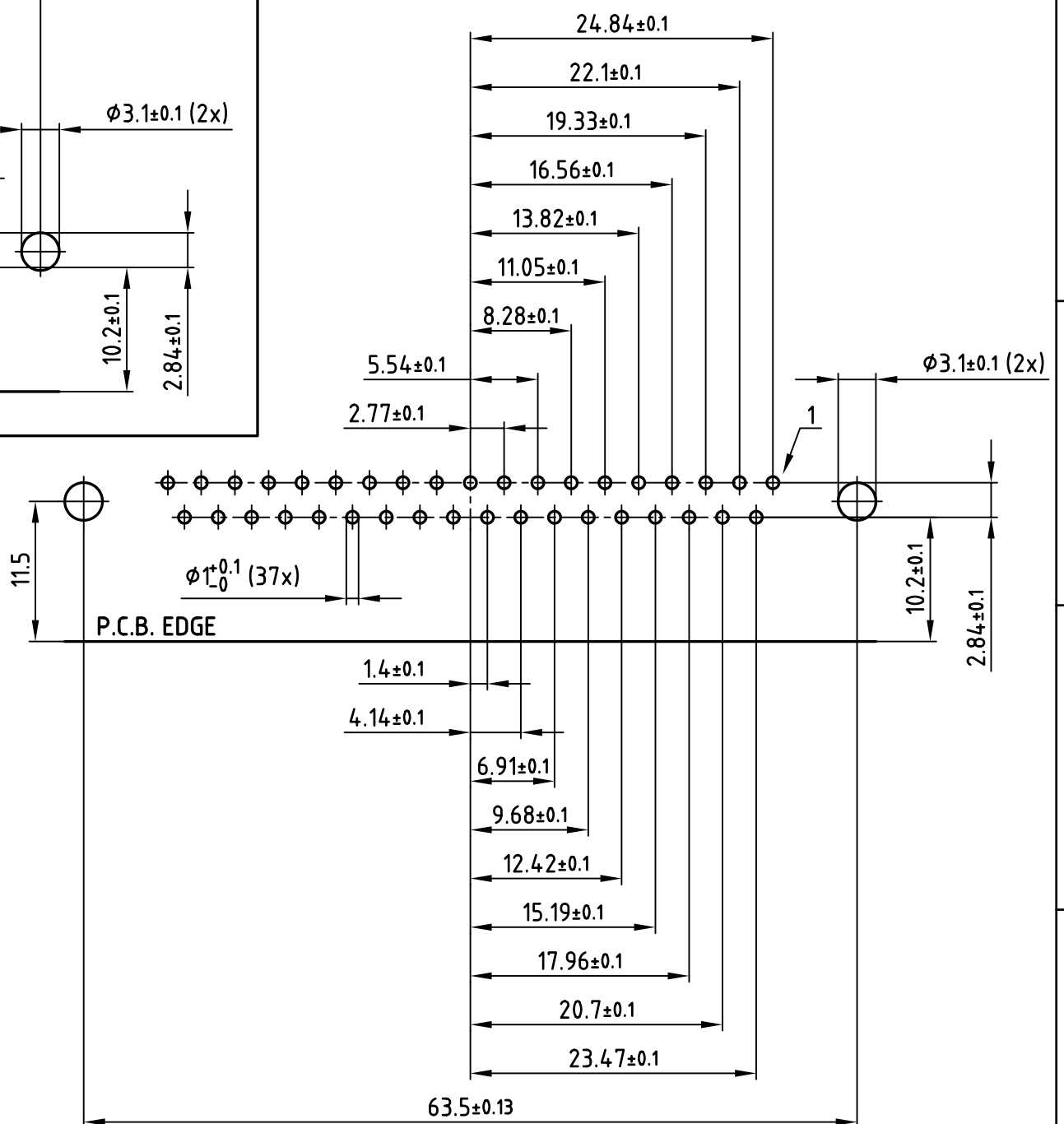
9 pos.



15 pos.



25 pos.



37 pos.

P.C.B. HOLE DRILLINGS
(P.C.B. TOP SIDE)

APPROVAL # FREIGABE # DEBLOCAGE # AUTORIZACION # APPROVAL

CUSTOMER APPROVAL DATE:

NAME: TITLE:

COMPANY NAME:

APPROVAL # FREIGABE # DEBLOCAGE # AUTORIZACION # APPROVAL

THIS DRAWING MAY NOT BE COPIED OR REPRODUCED IN ANY WAY, AND MAY NOT BE PASSED ON TO A THIRD PARTY WITHOUT WRITTEN PERMISSION.

OWNERSHIP AND COPYRIGHT OF CONEC GmbH

DO NOT ALTER CAD DRAWING BY HAND

rev.	description	date	name
a	Origin		

tolerance		dim. in mm
2009	date	
drawn	20.10.	name
appd.	20.10.	Fischer
norm	DIN 41652	
d-old		

scale: 2:1

material: SEE SHEET 1

title: P.C.B. HOLE DRILLINGS
D-SUB FEMALE 90° 9-37pos. 0.370inch threaded lock, mounting and grounding bracket

dwg no: AutoCAD 2006

part no: SEE SHEET 1

DIN-A 3 sh:2/2

