



Chipsmall Limited consists of a professional team with an average of over 10 year of expertise in the distribution of electronic components. Based in Hongkong, we have already established firm and mutual-benefit business relationships with customers from,Europe,America and south Asia,supplying obsolete and hard-to-find components to meet their specific needs.

With the principle of “Quality Parts,Customers Priority,Honest Operation,and Considerate Service”,our business mainly focus on the distribution of electronic components. Line cards we deal with include Microchip,ALPS,ROHM,Xilinx,Pulse,ON,Everlight and Freescale. Main products comprise IC,Modules,Potentiometer,IC Socket,Relay,Connector.Our parts cover such applications as commercial,industrial, and automotives areas.

We are looking forward to setting up business relationship with you and hope to provide you with the best service and solution. Let us make a better world for our industry!



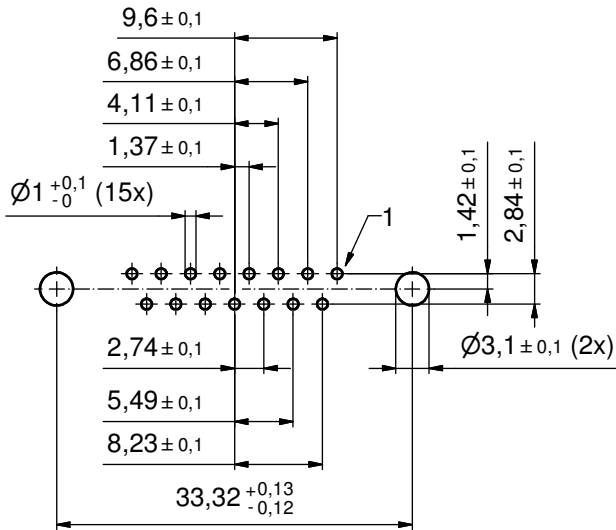
Contact us

Tel: +86-755-8981 8866 Fax: +86-755-8427 6832

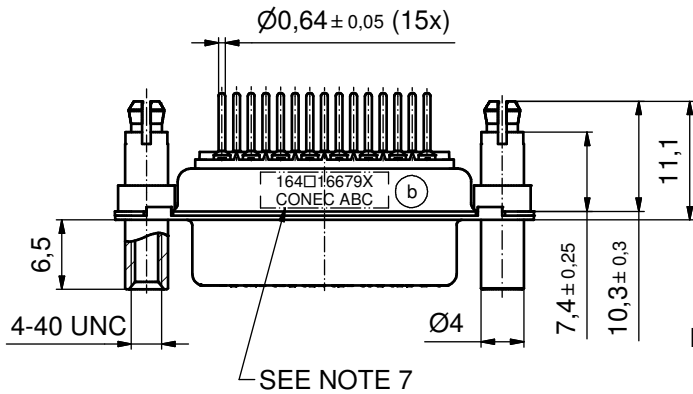
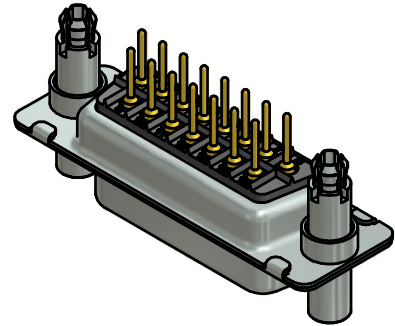
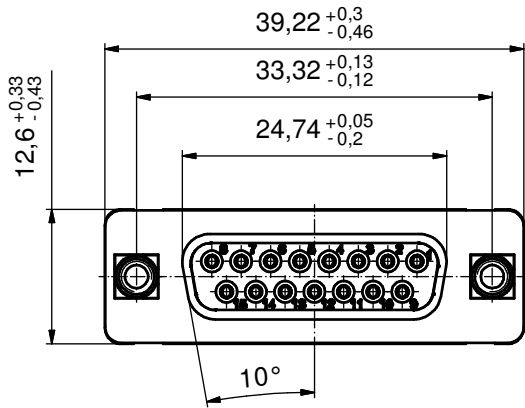
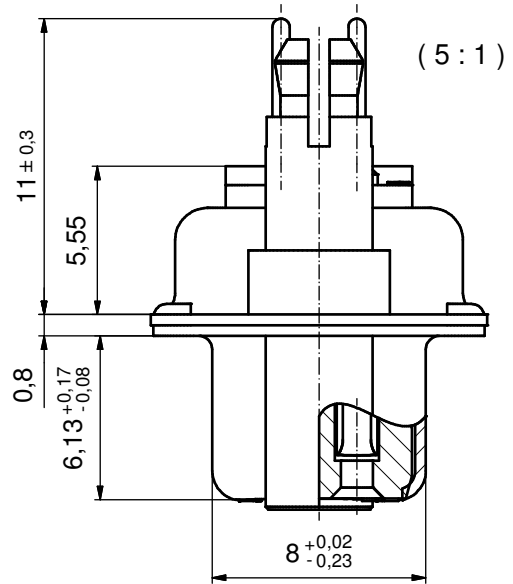
Email & Skype: info@chipsmall.com Web: www.chipsmall.com

Address: A1208, Overseas Decoration Building, #122 Zhenhua RD., Futian, Shenzhen, China





P.C.B. HOLE DRILLINGS
(P.C.B. TOP SIDE)



SEE NOTE 7

NOTES:

1. METALSHELLS: STEEL; min. 315µm TIN over 40-80µm NICKEL
2. INSULATORS: PBT GF UL 94 V-0; BLACK
3. SIGNAL CONTACTS: COPPER ALLOY; PLATING (SEE PART NO.):
 PLEASE ADD A for GOLD FLASH over NICKEL (PREFERRED TYPE)
 PLEASE ADD B for 20µm HARD GOLD over min. 50µm NICKEL
 PLEASE ADD C for 30µm HARD GOLD over min. 50µm NICKEL
4. THREADED LOCK AND SPACER CLIPS: COPPER ALLOY;
min. 200µm TIN over 80µm NICKEL
PCB-HOLES: $\phi 3,1 \pm 0,1$; PCB THICKNESS 1,6mm
5. COLLARS: COPPER ALLOY; min. 200µm TIN over 80µm NICKEL
6. MAXIMUM TORQUE VALUE FOR THREAD: 6 in.LB
7. CONNECTOR IS PART MARKED: 164□16679X CONEC ABC (see note 3)

Directive 2002/95/EC RoHS compliant

THIS DRAWING MAY NOT BE COPIED OR REPRODUCED IN ANY WAY, AND MAY NOT BE PASSED ON TO A THIRD PARTY WITHOUT WRITTEN PERMISSION. OWNERSHIP AND COPYRIGHT OF CONEC GmbH DO NOT ALTER CAD DRAWING BY HAND	tolerance		dim. in mm		scale: 2:1 (5:1)
	date		name		material: SEE NOTES
	drawn	04.07.13	Henneboel		title: D-SUB FEMALE 15pos. SOLDER PIN STRAIGHT with threaded lock and spacer clip
	appd.	08.07.13	Fischer		
	norm				
d-old	16K1IKWA/16K2IKWA		dwg no:	DIN-A3	
3 x b	A4824	04.07.2013	K.H.	(b) 16K1A3270	sh: 1
a	Original			part no: 164□16679X (see note 3)	
rev.	description	date	name	CONEC	