



Chipsmall Limited consists of a professional team with an average of over 10 year of expertise in the distribution of electronic components. Based in Hongkong, we have already established firm and mutual-benefit business relationships with customers from,Europe,America and south Asia,supplying obsolete and hard-to-find components to meet their specific needs.

With the principle of “Quality Parts,Customers Priority,Honest Operation,and Considerate Service”,our business mainly focus on the distribution of electronic components. Line cards we deal with include Microchip,ALPS,ROHM,Xilinx,Pulse,ON,Everlight and Freescale. Main products comprise IC,Modules,Potentiometer,IC Socket,Relay,Connector.Our parts cover such applications as commercial,industrial, and automotives areas.

We are looking forward to setting up business relationship with you and hope to provide you with the best service and solution. Let us make a better world for our industry!



Contact us

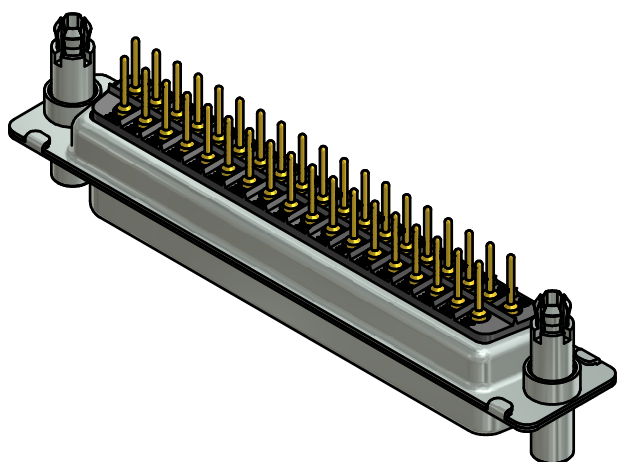
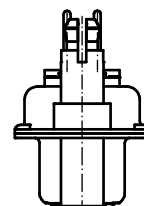
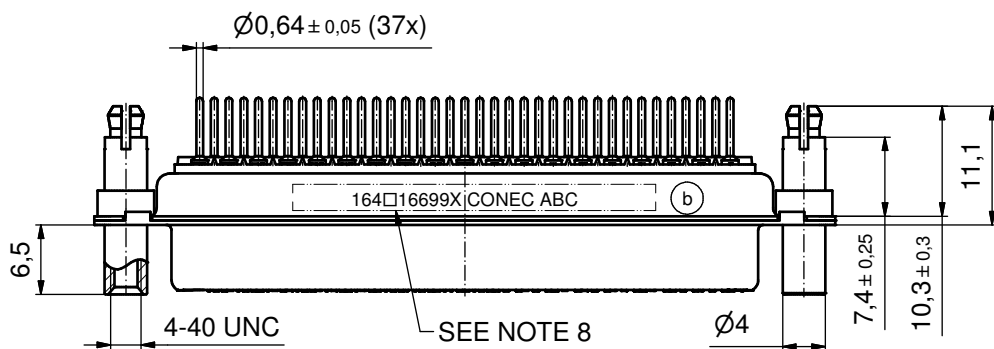
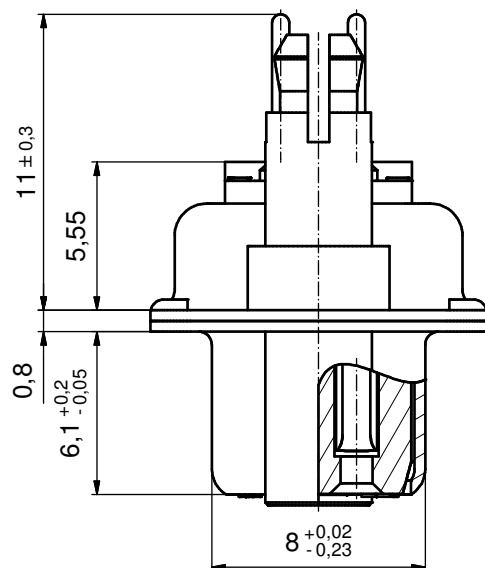
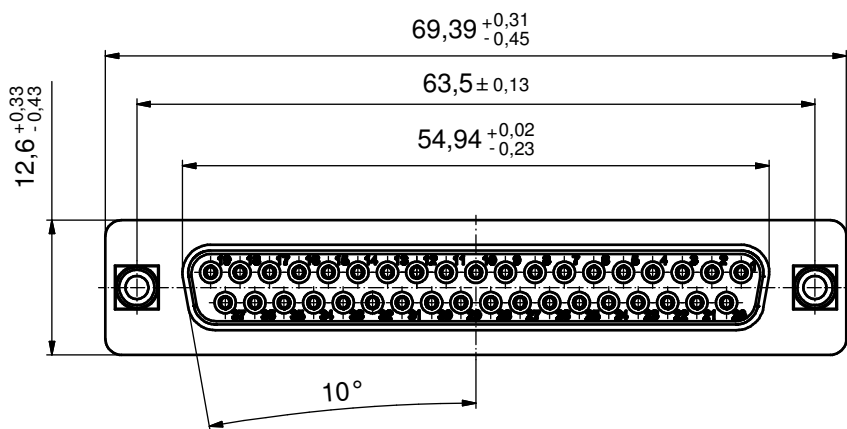
Tel: +86-755-8981 8866 Fax: +86-755-8427 6832

Email & Skype: info@chipsmall.com Web: www.chipsmall.com

Address: A1208, Overseas Decoration Building, #122 Zhenhua RD., Futian, Shenzhen, China



(5:1)



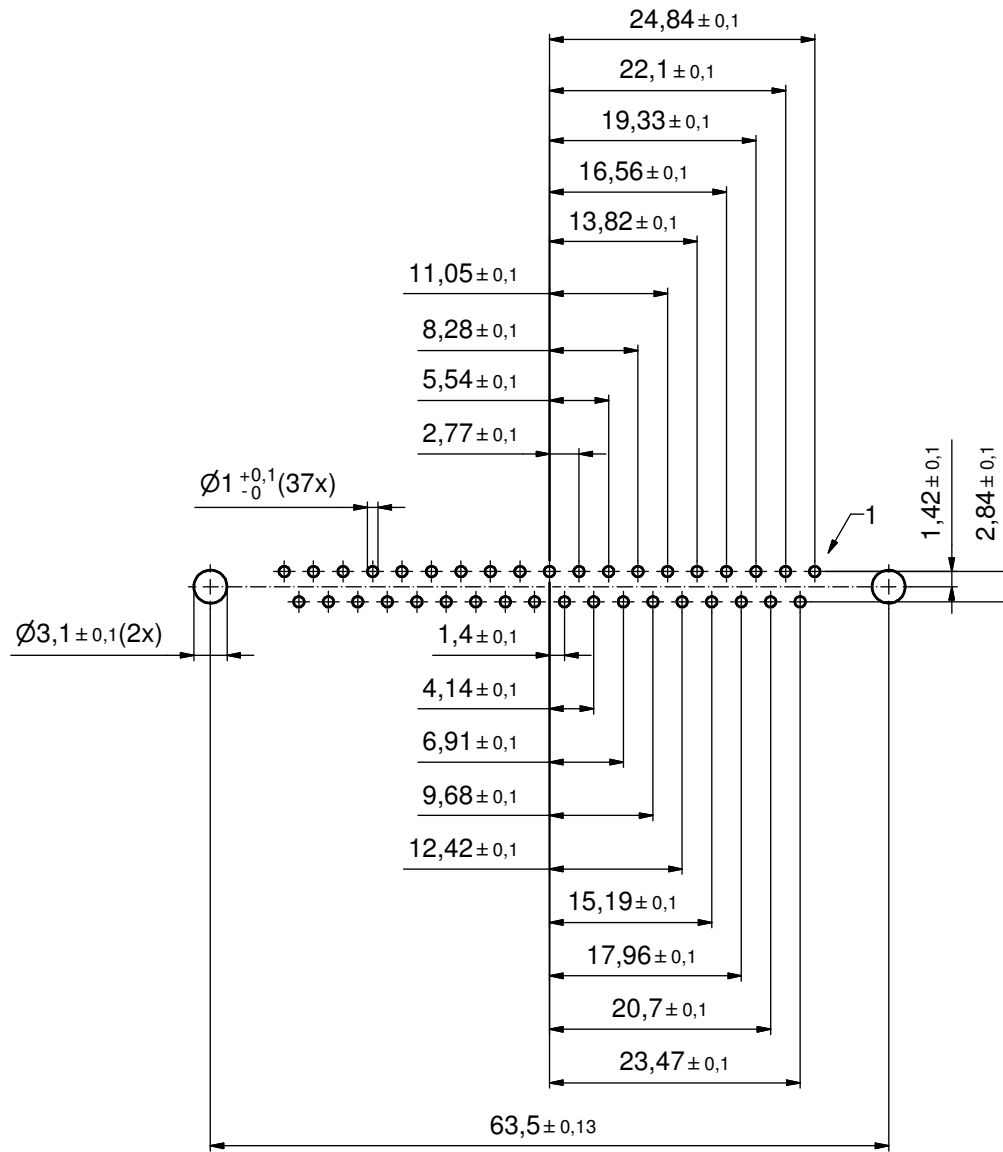
NOTES:

1. METALSHELLS: STEEL; min. 315µin TIN over 40-80µin NICKEL
2. INSULATORS: PBT GF UL 94 V-0; BLACK
3. SIGNAL CONTACTS: COPPER ALLOY; PLATING (SEE PART NO.):
 - PLEASE ADD A for GOLD FLASH over NICKEL (PREFERRED TYPE)
 - PLEASE ADD B for 20µin HARD GOLD over min. 50µin NICKEL
 - PLEASE ADD C for 30µin HARD GOLD over min. 50µin NICKEL
4. THREADED LOCK AND SPACER CLIPS: COPPER ALLOY; min. 200µin TIN over 80µin NICKEL
PCB-HOLES: $\phi 3,1 \pm 0,1$; PCB THICKNESS 1,6mm
5. COLLARS: COPPER ALLOY; min. 200µin TIN over 80µin NICKEL
6. P.C.B. HOLE DRILLINGS ON SHEET 2
7. MAXIMUM TORQUE VALUE FOR THREAD: 6 in.LB
8. CONNECTOR IS PART MARKED: 164□16699X CONEC ABC (see note 3)

Directive 2002/95/EC RoHS compliant

THIS DRAWING MAY NOT BE COPIED OR REPRODUCED IN ANY WAY, AND MAY NOT BE PASSED ON TO A THIRD PARTY WITHOUT WRITTEN PERMISSION. OWNERSHIP AND COPYRIGHT OF CONEC GmbH DO NOT ALTER CAD DRAWING BY HAND				tolerance		scale: 2:1 (5:1)
				date	name	material: see notes
				drawn	04.07.13	Henneboel
				appd.	08.07.13	Fischer
				norm		
			d-old	16K1IKWA/16K2IKWA		title: D-SUB FEMALE 37pos. SOLDER PIN STRAIGHT with threaded lock and spacer clip
3 x b	A4824	04.07.2013	K.H.			dwg no: 16K1A3272
a	Original					DIN-A3 sh: 1/2
rev.	description	date	name			part no: 164□16699X (see note 3)

P.C.B. HOLE DRILLINGS
(P.C.B. TOP SIDE)



THIS DRAWING MAY NOT BE COPIED OR REPRODUCED IN ANY WAY, AND MAY NOT BE PASSED ON TO A THIRD PARTY WITHOUT WRITTEN PERMISSION. OWNERSHIP AND COPYRIGHT OF CONEC GmbH DO NOT ALTER CAD DRAWING BY HAND				tolerance		scale: 2:1
				date	name	material: see sheet 1
				drawn	04.07.13	Henneboel
				appd.	04.07.13	Fischer
				norm		
			d-old	(b) 16K11IUA		
1 x b	A4824	04.07.2013	K.H.	title: P.C.B. HOLE DRILLINGS D-SUB FEMALE 37pos. solder pin straight with threaded lock and spacer clip		
a	Original					
rev.	description	date	name			dwg no: 16K1A3272
				part no: see sheet 1		DIN-A3 sh: 2/2