



Chipsmall Limited consists of a professional team with an average of over 10 year of expertise in the distribution of electronic components. Based in Hongkong, we have already established firm and mutual-benefit business relationships with customers from,Europe,America and south Asia,supplying obsolete and hard-to-find components to meet their specific needs.

With the principle of "Quality Parts,Customers Priority,Honest Operation,and Considerate Service",our business mainly focus on the distribution of electronic components. Line cards we deal with include Microchip,ALPS,ROHM,Xilinx,Pulse,ON,Everlight and Freescale. Main products comprise IC,Modules,Potentiometer,IC Socket,Relay,Connector.Our parts cover such applications as commercial,industrial, and automotives areas.

We are looking forward to setting up business relationship with you and hope to provide you with the best service and solution. Let us make a better world for our industry!



## Contact us

Tel: +86-755-8981 8866 Fax: +86-755-8427 6832

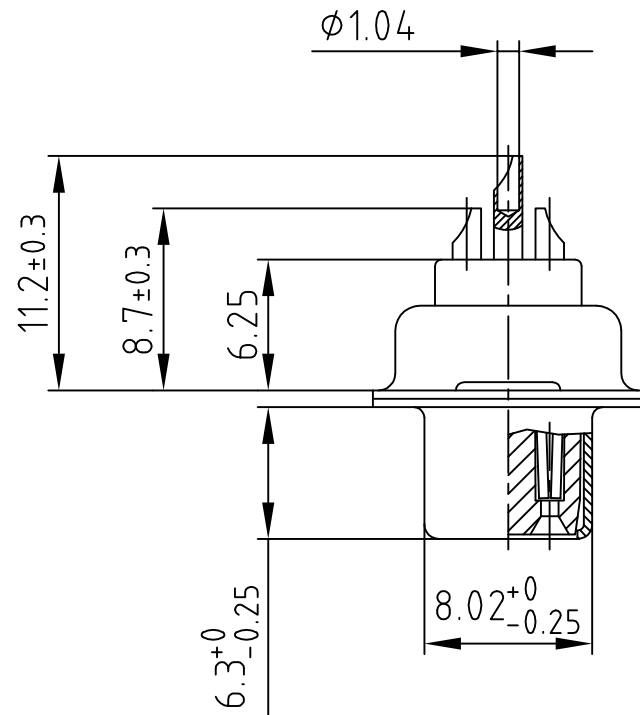
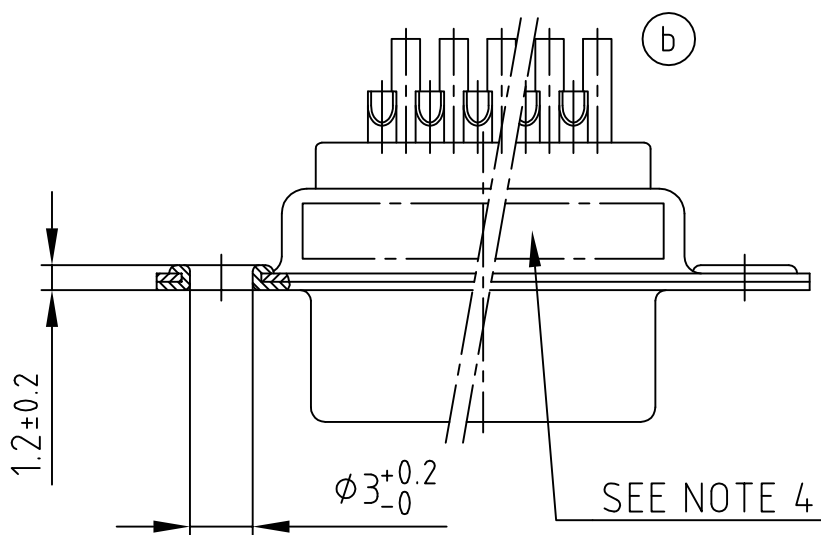
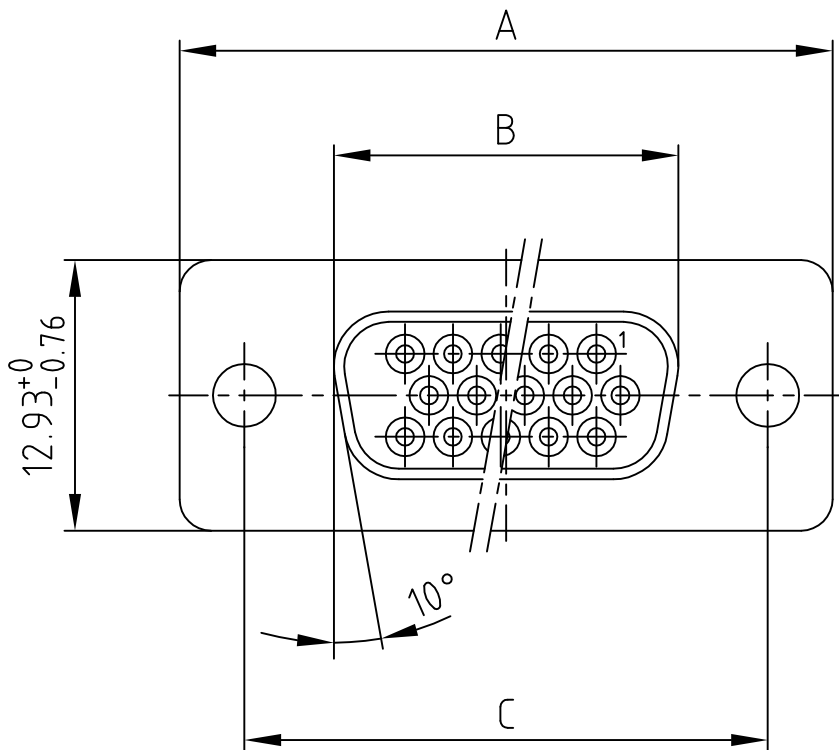
Email & Skype: info@chipsmall.com Web: www.chipsmall.com

Address: A1208, Overseas Decoration Building, #122 Zhenhua RD., Futian, Shenzhen, China



used for: D-SUB HD

Part NO.	POS.	A -0.76	B -0.25	C
164A17009X	15	31.19	16.46	25.00 $^{+0.12}_{-0.13}$
164A17019X	26	39.52	24.79	33.30 $^{+0.15}_{-0.1}$
164A17029X	44	53.42	38.50	47.04 $\pm 0.13$
164A17039X	62	69.70	54.96	63.50 $\pm 0.13$



Directive 2002/95/EC RoHS compliant

(b) NOTES:

- METALSHELLS: STEEL; min. 315µin TIN over 40-80µin Nickel
- INSULATORS: PBT GF UL 94 V-0, BLACK
- CONTACTS: COPPER ALLOY  
PLATING: GOLD FLASH over NICKEL  
SOLDER CUP ACCEPTS CABLE AWG 22
- CONNECTOR IS PART MARKED: PART-NO. CONEC ABC

APPROVAL # FREIGABE # DEBLOCAGE # AUTORIZACION # APPROVAL	
CUSTOMER APPROVAL DATE:	
NAME:	TITLE:
COMPANY NAME:	
APPROVAL # FREIGABE # DEBLOCAGE # AUTORIZACION # APPROVAL	

THIS DRAWING MAY NOT BE COPIED OR REPRODUCED IN ANY WAY, AND MAY NOT BE PASSED ON TO A THIRD PARTY WITHOUT WRITTEN PERMISSION.  
 OWNERSHIP AND COPYRIGHT OF CONEC GmbH  
 DO NOT ALTER CAD DRAWING BY HAND

CONEC CORPORATION BRAMPTON, ONTARIO				tolerance		dim. in mm	
2001	date			name			
drawn	04.10.			Parei			
appd.	04.10.			E. Mickenbecker			
norm							
d-old							
2 x b	Ä 3104	04.09.08	Petker				
a	Origin						
rev.	description	date	name				

scale:	2:1	
material:	SEE NOTES	
title:	D-SUB HD FEMALE 15-62pos. SOLDER CUP	
dwg no:	AutoCAD 2000	DIN-A 4
part no:	16K1A322A	sh: 1/1
part no:	SEE TABLE	

4

3

2

1