



Chipsmall Limited consists of a professional team with an average of over 10 year of expertise in the distribution of electronic components. Based in Hongkong, we have already established firm and mutual-benefit business relationships with customers from,Europe,America and south Asia,supplying obsolete and hard-to-find components to meet their specific needs.

With the principle of “Quality Parts,Customers Priority,Honest Operation,and Considerate Service”,our business mainly focus on the distribution of electronic components. Line cards we deal with include Microchip,ALPS,ROHM,Xilinx,Pulse,ON,Everlight and Freescale. Main products comprise IC,Modules,Potentiometer,IC Socket,Relay,Connector.Our parts cover such applications as commercial,industrial, and automotives areas.

We are looking forward to setting up business relationship with you and hope to provide you with the best service and solution. Let us make a better world for our industry!



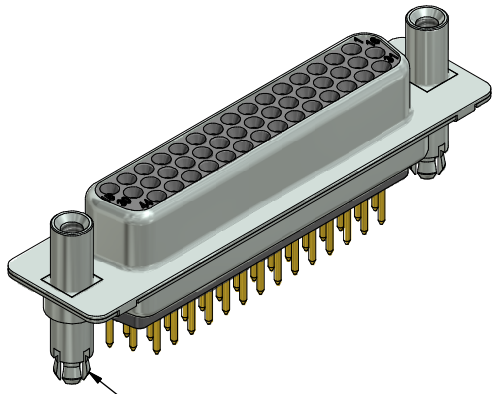
Contact us

Tel: +86-755-8981 8866 Fax: +86-755-8427 6832

Email & Skype: info@chipsmall.com Web: www.chipsmall.com

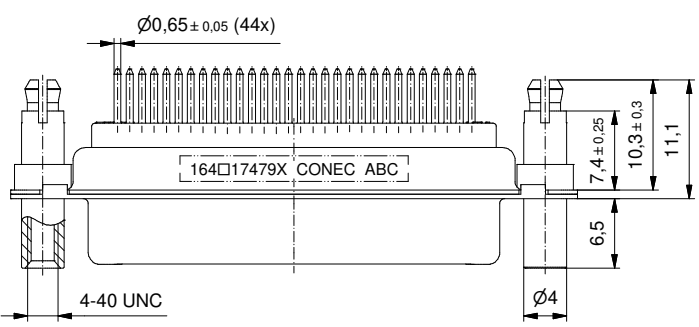
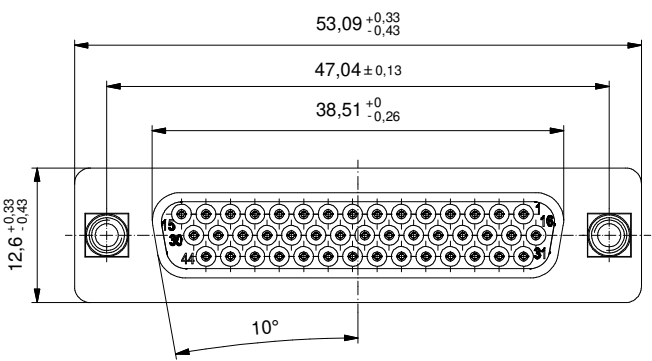
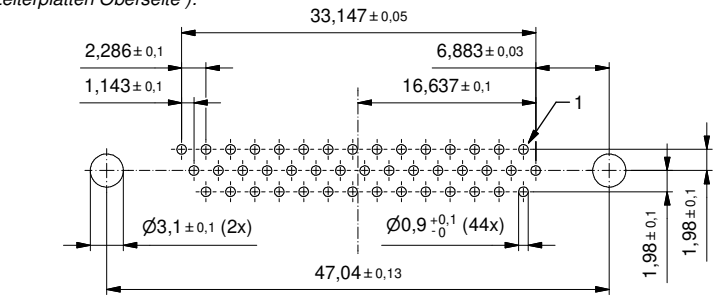
Address: A1208, Overseas Decoration Building, #122 Zhenhua RD., Futian, Shenzhen, China





Threaded lock and spacer clip/
Abstandsbolzen-Clip

**PCB Hole drillings
(PCB Top side)
Leiterplattenbohrbild
(Leiterplatten Oberseite):**



Technical specification:

Technische Daten:

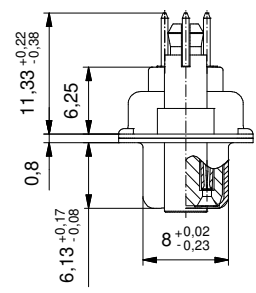
| | |
|---|---|
| Working voltage/ Betriebsspannung: | 60 V AC |
| Insulation resistance/ Isolationswiderstand: | ≥ 5 GΩ |
| Dielectric withstanding voltage/ Spannungsfestigkeit: | 1000 V, 50 Hz, 1 min. |
| Temperature range/ Temperaturbereich: | -55 °C ... +125 °C |
| Current rating/ Strombelastbarkeit: | 3,0 A (UL, VDE) / 2,5 A (CSA) |
| Mating cycles/ Steckzyklen: | Quality class 1 = 500 Gütestufe 1 Quality class 1 = 200 Gütestufe 2 Quality class 3 = 50 Gütestufe 3 Quality class 4 ≥ 500 Gütestufe 4 |

**Materials/
Werkstoffe:**

| | |
|---|-------------------------------------|
| Contact/ Kontakt: | Cu alloy, Au over Ni |
| Insulator/ Isolierkörper: | PBT GF UL 94 V-0, black/ schwarz |
| Shell/ Gehäuse: | Steel, Sn over Ni |
| Threaded lock and spacer clip/ Abstandsbolzen-Clip: | Cu alloy, Sn over Ni |
| Collar/ Scheibe: | Cu alloy, Sn over Ni |

**Installation specification/
Montagedaten:**

| | |
|--|--------------------|
| Maximum torque Value for thread/ Max. empfohlenes Drehmoment für Gewinde: | 6 in.LB/ 67 Ncm |
| PCB clip for hole diameter/ PCB Clip für Lochdurchmesser: | Ø3,1 mm |
| Circuit board thickness/ Leiterplattenstärke: | 1,6 mm |



| Part no. / Part Marked/ Art.-Nr. / Bedruckung: | Quality class/ Gütestufe: | Contact plating/ Kontakt Veredelung: |
|---|------------------------------|---|
| 164A17479X | 3 | Gold Flash over Nickel Gold über Nickel |
| 164B17479X | 2 | 20 µin Hard Gold over min. 50 µin Nickel 20 µin Gold über min. 50 µin Nickel |
| 164C17479X | 1 | 30 µin Hard Gold over min. 50 µin Nickel 30 µin Gold über min. 50 µin Nickel |
| 164J17479X | 4 | 50 µin Hard Gold over min. 50 µin Nickel 50 µin Gold über min. 50 µin Nickel |

| | | | | | | |
|---------------------------------|--|-----------------------|--|---|-------------------------------|------------|
| Index: a Original | | scale/Maßstab: 2:1 | | D-SUB HD Female 44pos. Solder pin straight with threaded lock and spacer clip D-SUB HD Buchse 44pos. Lötstift gerade mit Abstandsbolzen-Clip | dwg no / Z.-nr.: 16K1A3851 | DIN- A3 |
| Status: InBearbeitung | | | | | | |
| RoHS & REACH compliant/ konform | | | | | | 1 / 1 |

The reproduction, distribution and utilization of this document as well as the communication of its content to others without express authorization is prohibited. Offenders will be held liable for the payment of damages. Wir bitten Sie, die Weitergabe dieses Dokuments, die Verbreitung seines Inhalts und die Kommunikation ohne schriftliche Genehmigung zu unterlassen. Zuwiderhandlungen werden mit Schadenersatz geahndet.