



Chipsmall Limited consists of a professional team with an average of over 10 year of expertise in the distribution of electronic components. Based in Hongkong, we have already established firm and mutual-benefit business relationships with customers from,Europe,America and south Asia,supplying obsolete and hard-to-find components to meet their specific needs.

With the principle of “Quality Parts,Customers Priority,Honest Operation,and Considerate Service”,our business mainly focus on the distribution of electronic components. Line cards we deal with include Microchip,ALPS,ROHM,Xilinx,Pulse,ON,Everlight and Freescale. Main products comprise IC,Modules,Potentiometer,IC Socket,Relay,Connector.Our parts cover such applications as commercial,industrial, and automotives areas.

We are looking forward to setting up business relationship with you and hope to provide you with the best service and solution. Let us make a better world for our industry!



Contact us

Tel: +86-755-8981 8866 Fax: +86-755-8427 6832

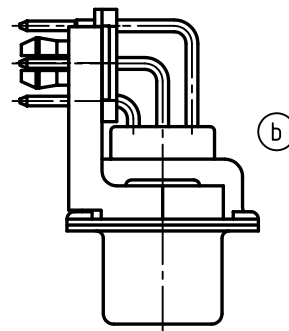
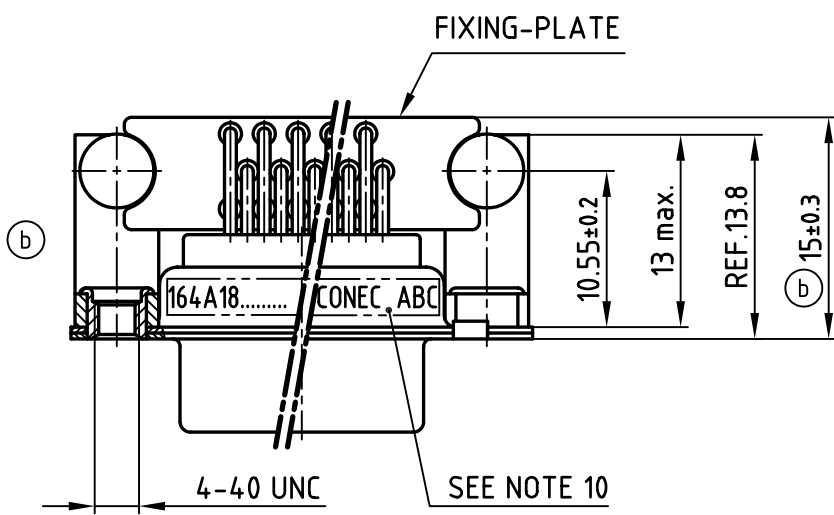
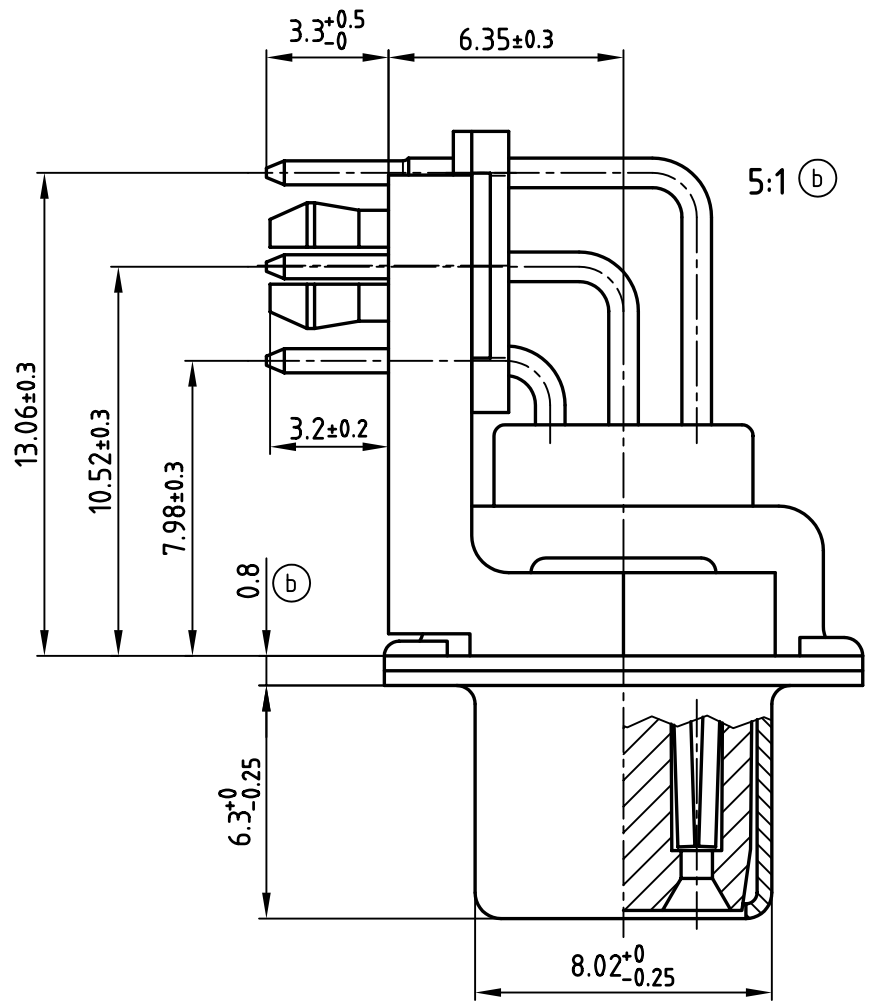
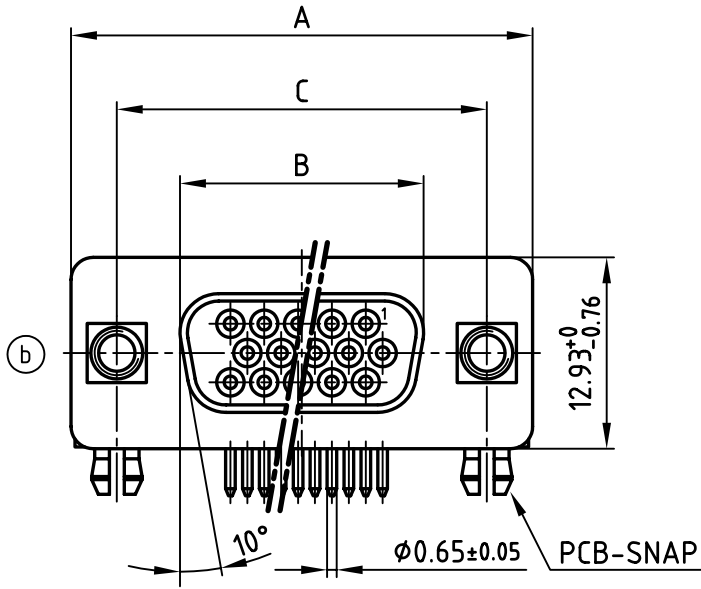
Email & Skype: info@chipsmall.com Web: www.chipsmall.com

Address: A1208, Overseas Decoration Building, #122 Zhenhua RD., Futian, Shenzhen, China



used for: D-SUB HD

| POS. | A -0.76 | B -0.25 | C | Part NO. |
|------|---------|---------|--|------------|
| 26 | 39.52 | 24.79 | 33.30 ^{+0.15} / _{-0.1} | 164A18189X |
| 44 | 53.42 | 38.50 | 47.04 ±0.13 | 164A18199X |
| 62 | 69.70 | 54.96 | 63.50 ±0.13 | 164A18209X |



NOTES:

- METALSHELLS: STEEL; min. 315µm TIN over 40-80µm NICKEL
- INSULATORS: PBT GF UL 94 V-0; BLACK
- CONTACTS: COPPER ALLOY
PLATING: 8µm HARD GOLD over min. 50µm NICKEL
- METAL BRACKETS: ZINC DIE CAST; 300µm COPPER/40-120µm NICKEL/120-200µm TIN
- THREADED INSERTS: COPPER ALLOY; min. 200µm TIN over 80µm NICKEL
- PCB-SNAPS: COPPER ALLOY; min. 200µm TIN over 80µm NICKEL
PCB-HOLE: φ3.1±0.1; PCB THICKNESS 1.6mm
- FIXING-PLATE: PBT GF UL 94 V-0; BLACK
- P.C.B. HOLE DRILLINGS ON SHEET 2
- MAXIMUM TORQUE VALUE FOR THREAD: 6 in.LB
- CONNECTOR IS PART MARKED: PART-NO. CONEC ABC



| | |
|---|--------|
| APPROVAL # FREIGABE # DEBLOCAGE # AUTORIZACION # APPROVAL | |
| CUSTOMER APPROVAL DATE: | |
| NAME: | TITLE: |
| COMPANY NAME: | |
| APPROVAL # FREIGABE # DEBLOCAGE # AUTORIZACION # APPROVAL | |

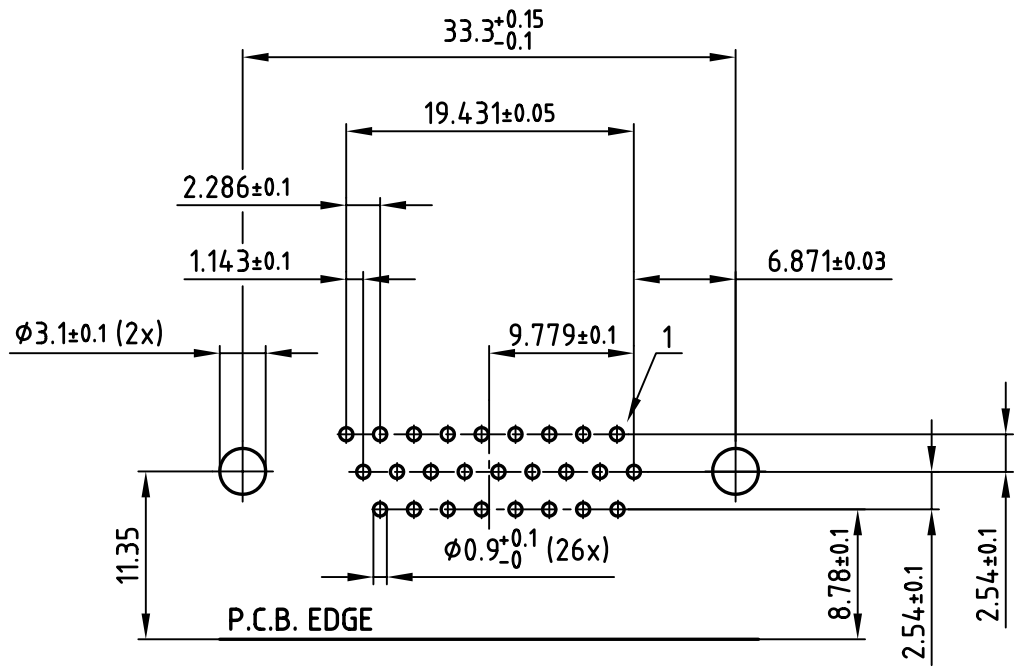
THIS DRAWING MAY NOT BE COPIED OR REPRODUCED IN ANY WAY, AND MAY NOT BE PASSED ON TO A THIRD PARTY WITHOUT WRITTEN PERMISSION.
 OWNERSHIP AND COPYRIGHT OF CONEC GmbH
 DO NOT ALTER CAD DRAWING BY HAND

| rev. | description | date | name | tolerance | dim. in mm |
|-------|-------------|------------|--------|-----------|------------|
| 2 x c | Ä 3543 | 14.01.2010 | Lehmen | d-old | |
| 8 x b | Ä 3524 | 10.12.2009 | Lehmen | | |
| a | Origin | | | | |



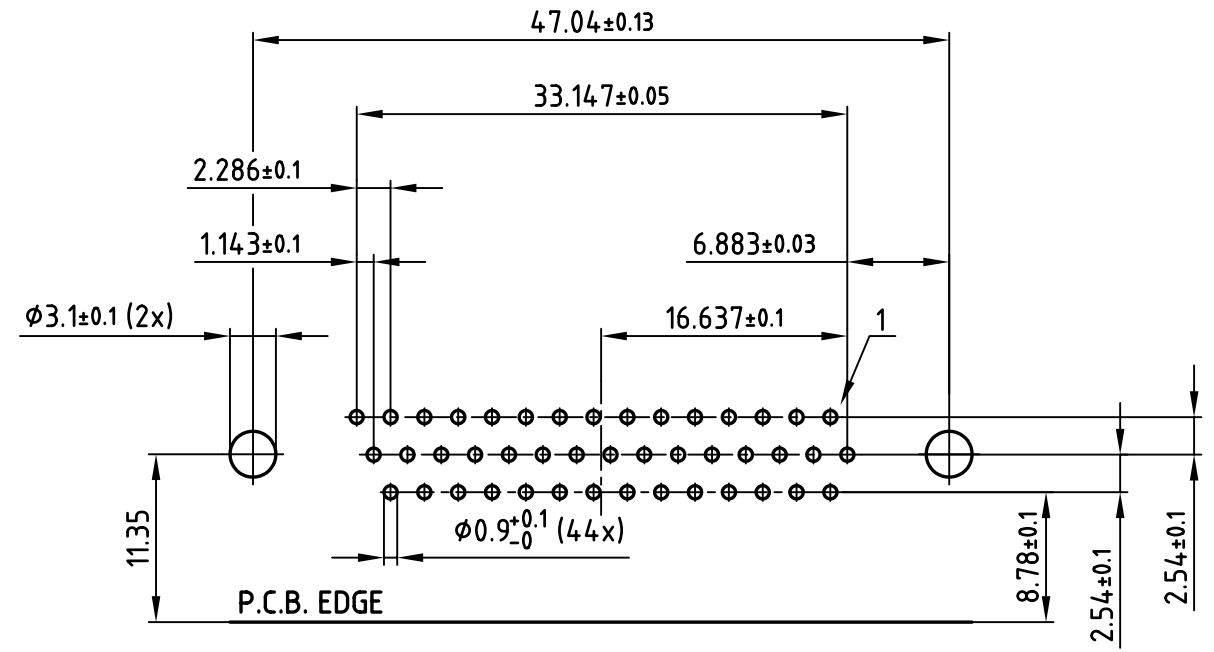
| | |
|-----------|--|
| scale: | 2:1 (5:1) |
| material: | SEE NOTES |
| title: | D-SUB HD FEMALE 90° 26-62pos. 0.350inch thread insert, metal bracket, fixing-plate, snap |
| dwg no: | AutoCAD 2006 16K1A375A |
| part no: | SEE TABLE |

used for: D-SUB HD

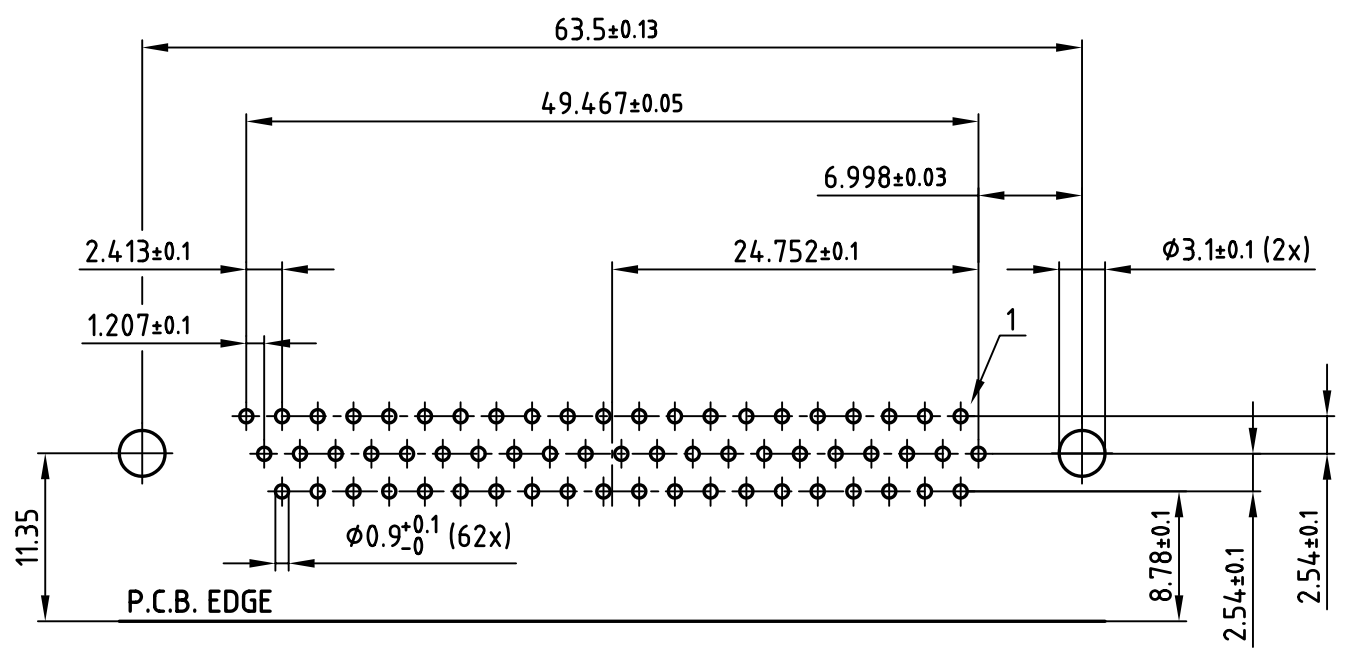


26pos.

P.C.B. HOLE DRILLINGS
(P.C.B. TOP SIDE)



44pos.



62pos.

APPROVAL # FREIGABE # DEBLOCAGE # AUTORIZACION # APPROVAL

CUSTOMER APPROVAL DATE:

NAME: TITLE:

COMPANY NAME:

APPROVAL # FREIGABE # DEBLOCAGE # AUTORIZACION # APPROVAL

THIS DRAWING MAY NOT BE COPIED OR REPRODUCED IN ANY WAY, AND MAY NOT BE PASSED ON TO A THIRD PARTY WITHOUT WRITTEN PERMISSION. OWNERSHIP AND COPYRIGHT OF CONEC GmbH

DO NOT ALTER CAD DRAWING BY HAND

| 1 x c | Ä 3543 | 14.01.2010 | Lehmen |
|-------|-------------|------------|--------|
| a | Origin | | |
| rev. | description | date | name |

| tolerance | | dim. in mm | |
|-----------|--------|--------------|--|
| 2009 | date | name | |
| drawn | 10.12. | Lehmenkühler | |
| appd. | 10.12. | Fischer | |
| norm | | | |
| d-old | | | |

scale: 2:1

material: SEE SHEET 1

title: P.C.B. HOLE DRILLINGS
D-SUB HD FEMALE 90° 26-62pos. 0.350inch
thread insert, metal bracket, fixing-plate, snap

dwg no: AutoCAD 2006

part no: SEE SHEET 1

DIN-A 3 sh:2/2

