



Chipsmall Limited consists of a professional team with an average of over 10 year of expertise in the distribution of electronic components. Based in Hongkong, we have already established firm and mutual-benefit business relationships with customers from,Europe,America and south Asia,supplying obsolete and hard-to-find components to meet their specific needs.

With the principle of “Quality Parts,Customers Priority,Honest Operation,and Considerate Service”,our business mainly focus on the distribution of electronic components. Line cards we deal with include Microchip,ALPS,ROHM,Xilinx,Pulse,ON,Everlight and Freescale. Main products comprise IC,Modules,Potentiometer,IC Socket,Relay,Connector.Our parts cover such applications as commercial,industrial, and automotives areas.

We are looking forward to setting up business relationship with you and hope to provide you with the best service and solution. Let us make a better world for our industry!



Contact us

Tel: +86-755-8981 8866 Fax: +86-755-8427 6832


Email & Skype: info@chipsmall.com Web: www.chipsmall.com

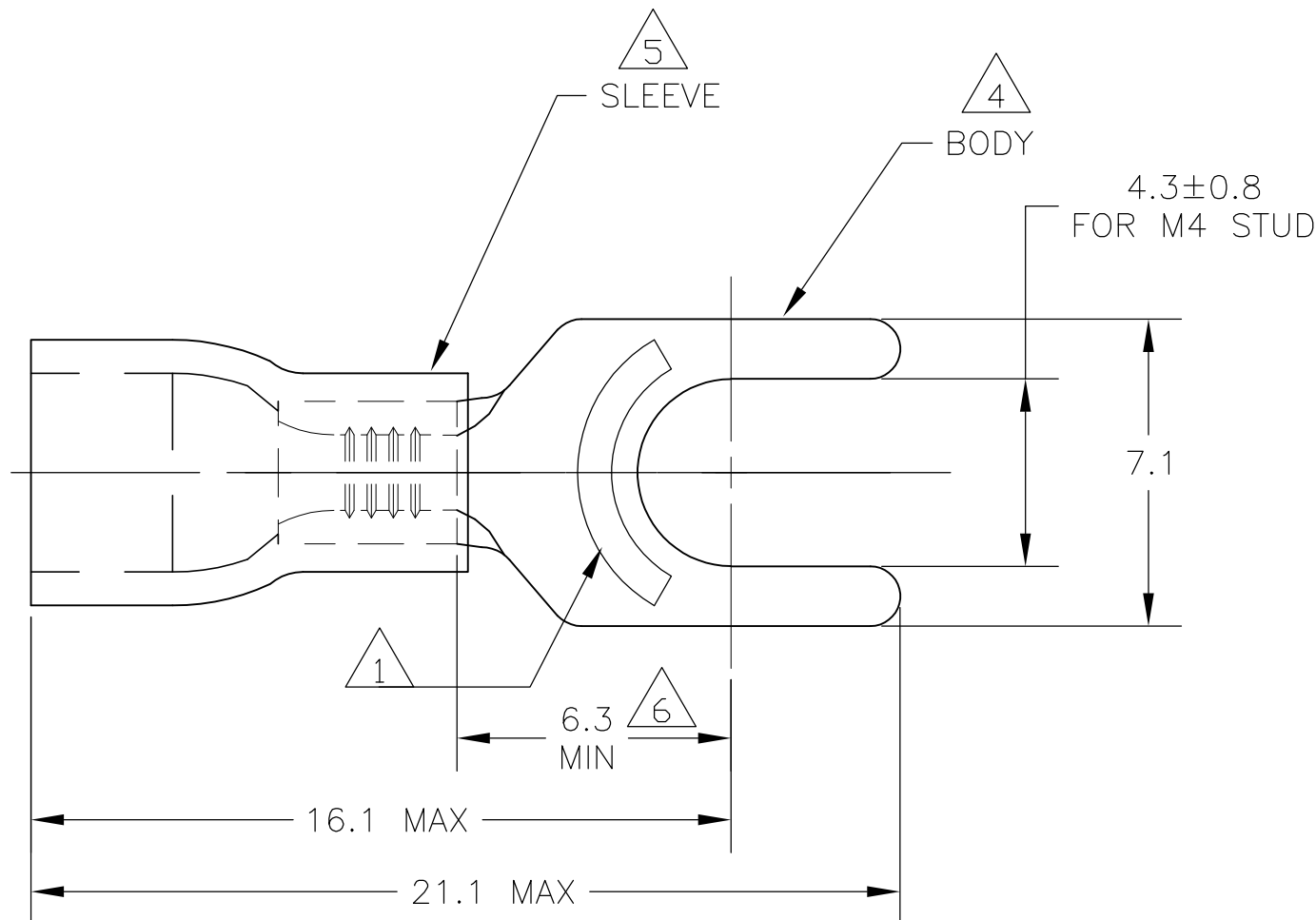
Address: A1208, Overseas Decoration Building, #122 Zhenhua RD., Futian, Shenzhen, China



THIS DRAWING IS UNPUBLISHED. RELEASED FOR PUBLICATION
 © COPYRIGHT - By - ALL RIGHTS RESERVED.

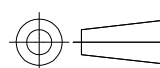
LOC	DIST	REVISIONS					
G	02	P	LTR	DESCRIPTION	DATE	DWN	APVD
			D1	REVISED PER ECO-11-004917	11MAR11	RK	HMR

AMP WIRE RANGE	 Listed
0.25-1.65 SOLID OR STRANDED	0.25-1.65 SOLID OR STRANDED



- 1 STAMP AMP 22-16*
LOCATE APPROX AS SHOWN
- 2 FOR WIRE INSULATION DIA 2.7-3.6
- 3 TONGUE THK IS 0.8±0.07
- 4 BODY: COPPER PER ASTM B-152
TIN PLATED PER ASTM B-545
- 5 SLEEVE: PVC, RED
- 6 APPLIES FROM EDGE OF METAL WIRE
BARREL TO CENTER OF STUD HOLE.

5,000	ON TAPE, REEL	2-165008-1
1,000	LOOSE PIECE	165008-0
QTY	PACKAGE TYPE	PART NO

THIS DRAWING IS A CONTROLLED DOCUMENT.		DWN	JR RUTH	27OCT03	STE TE Connectivity						
DIMENSIONS: MM INCHES		CHK	T MICHIELUTTI	27OCT03							
		APVD	T MICHIELUTTI	27OCT03							
		PRODUCT SPEC		NAME		TERMINAL, SPADE, PLASTI-GRIP, WIRE SIZE, 22-16 AWG					
MATERIAL SEE NOTES		FINISH SEE NOTES		APPLICATION SPEC	SIZE	CAGE CODE	DRAWING NO	RESTRICTED TO			
				WEIGHT	-	A3	00779	C-165008			
				CUSTOMER DRAWING		SCALE	1:1	SHEET	1 OF 1	REV	D1