



Chipsmall Limited consists of a professional team with an average of over 10 year of expertise in the distribution of electronic components. Based in Hongkong, we have already established firm and mutual-benefit business relationships with customers from,Europe,America and south Asia,supplying obsolete and hard-to-find components to meet their specific needs.

With the principle of “Quality Parts,Customers Priority,Honest Operation,and Considerate Service”,our business mainly focus on the distribution of electronic components. Line cards we deal with include Microchip,ALPS,ROHM,Xilinx,Pulse,ON,Everlight and Freescale. Main products comprise IC,Modules,Potentiometer,IC Socket,Relay,Connector.Our parts cover such applications as commercial,industrial, and automotives areas.

We are looking forward to setting up business relationship with you and hope to provide you with the best service and solution. Let us make a better world for our industry!



Contact us

Tel: +86-755-8981 8866 Fax: +86-755-8427 6832

Email & Skype: info@chipsmall.com Web: www.chipsmall.com

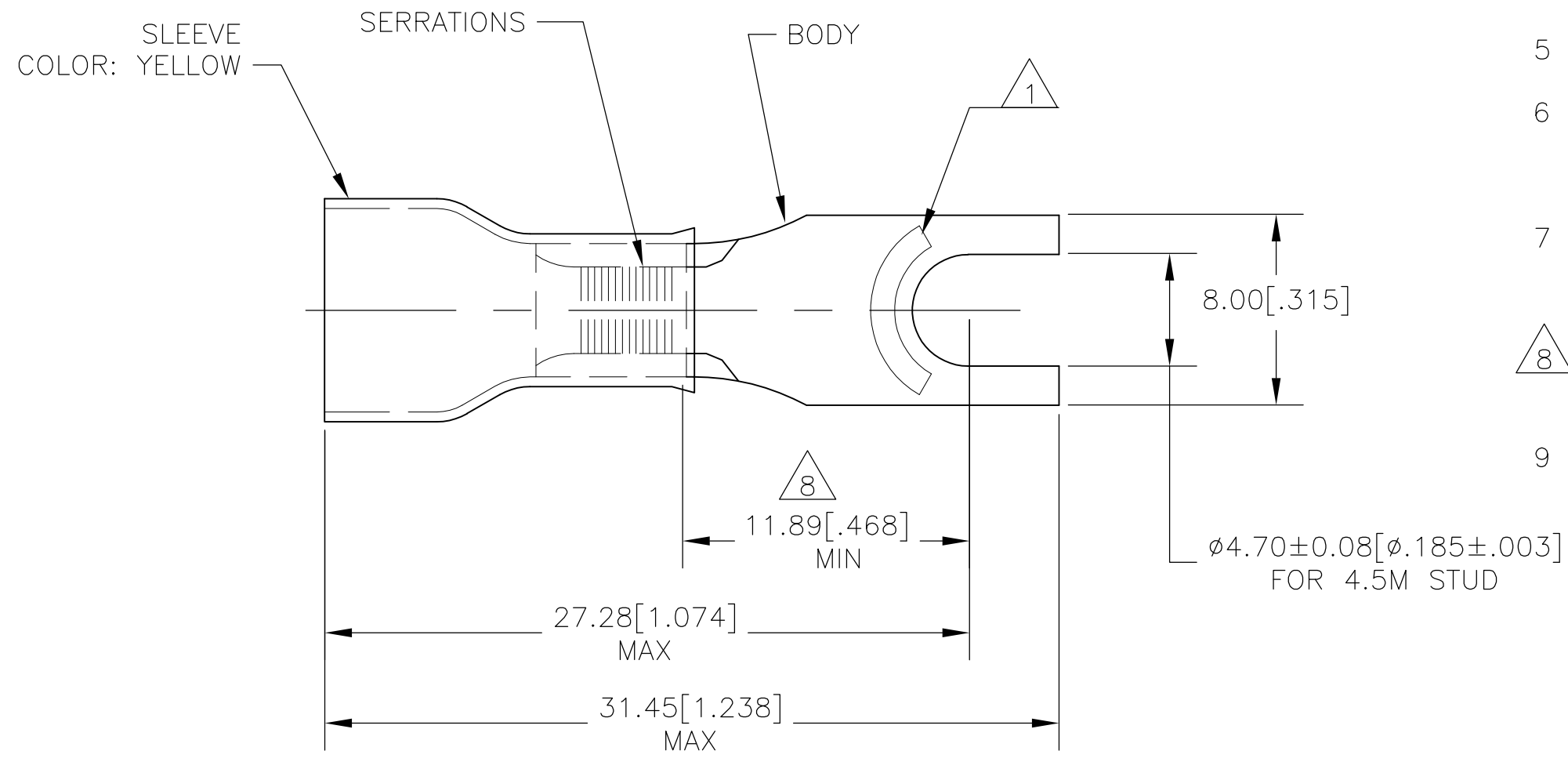
Address: A1208, Overseas Decoration Building, #122 Zhenhua RD., Futian, Shenzhen, China



THIS DRAWING IS UNPUBLISHED. RELEASED FOR PUBLICATION
 © COPYRIGHT - By - ALL RIGHTS RESERVED.

LOC	DIST	REVISIONS			
P	LTR	DESCRIPTION	DATE	DWN	APVD
G	14	B2	REVISED PER ECO-11-020548	02FEB12	KH DR

- 1 STAMP "AMP 12-10*", LOCATION APPROX AS SHOWN.
- 2 WIRE INSULATION DIA 3.8-6.4
- 3 OPERATING TEMPERATURE 90°C MAX
- 4 VOLTAGE RATING 600V MAX
- 5 CMA 2.62-6.64mm² [5,180-13,100]
- 6 MATERIAL:
BODY - COPPER PER ASTM B-152
INSULATION - PVC
- 7 FINISH:
BODY - TIN PL PER ASTM B-545
INSULATION - COLOR-YELLOW
- 8 APPLIES FROM EDGE OF METAL WIRE BARREL TO CENTER OF STUD HOLE.
- 9 MATERIAL THICKNESS IS 1.00±0.05[.0393±.002]



OBSOLETE	-	REEL, ON TAPE	2-165015-1
	500	LOOSE PIECE	165015
	QTY	PACKAGE TYPE	PART NO

THIS DRAWING IS A CONTROLLED DOCUMENT.		DWN jr_ruth 20FEB06	TE Connectivity	
DIMENSIONS: mm [INCHES]		CHK T MICHELUTTI 20FEB06		
TOLERANCES UNLESS OTHERWISE SPECIFIED:		APVD T MICHELUTTI 20FEB06	NAME TERMINAL SPADE, PLASTI-GRIP, WIRE SIZE 12:10	
0 PLC ± -		PRODUCT SPEC	-	
1 PLC ± -		APPLICATION SPEC	-	
2 PLC ± 0.20[.008]		WEIGHT	-	
3 PLC ± -		CUSTOMER DRAWING	SIZE A3	CAGE CODE 00779
4 PLC ± -		FINISH	DRAWING NO C-165015	RESTRICTED TO -
ANGLES ± 5°			SCALE 4:1	SHEET 1 OF 1
MATERIAL -			REV B2	