



Chipsmall Limited consists of a professional team with an average of over 10 year of expertise in the distribution of electronic components. Based in Hongkong, we have already established firm and mutual-benefit business relationships with customers from,Europe,America and south Asia,supplying obsolete and hard-to-find components to meet their specific needs.

With the principle of “Quality Parts,Customers Priority,Honest Operation,and Considerate Service”,our business mainly focus on the distribution of electronic components. Line cards we deal with include Microchip,ALPS,ROHM,Xilinx,Pulse,ON,Everlight and Freescale. Main products comprise IC,Modules,Potentiometer,IC Socket,Relay,Connector.Our parts cover such applications as commercial,industrial, and automotives areas.

We are looking forward to setting up business relationship with you and hope to provide you with the best service and solution. Let us make a better world for our industry!



Contact us

Tel: +86-755-8981 8866 Fax: +86-755-8427 6832

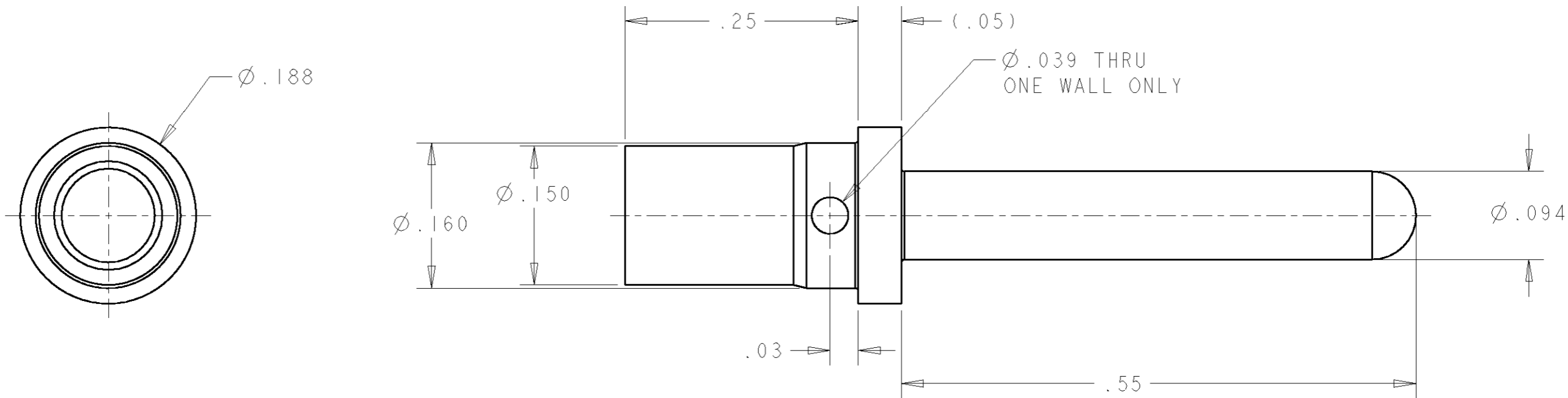
Email & Skype: info@chipsmall.com Web: www.chipsmall.com

Address: A1208, Overseas Decoration Building, #122 Zhenhua RD., Futian, Shenzhen, China



THIS DRAWING IS UNPUBLISHED. RELEASED FOR PUBLICATION 20
 © COPYRIGHT 20 BY TYCO ELECTRONICS CORPORATION. ALL RIGHTS RESERVED.

LOC	DIST	REVISIONS			
P	LTR	DESCRIPTION	DATE	DWN	APVD
GP	00	B	REV PER ECO-07-014869	25JUN2007	RG DO



1. PART NUMBER CHANGES AND/OR DESIGN CHANGES AFFECTING ITEM INTERCHANGEABILITY REQUIRE PRIOR TYCO ELECTRONICS APPROVAL AND AUTHORIZATION BY REVISION TO THIS DRAWING.

2. ITEMS PROVIDED TO THIS SPECIFICATION SHALL BE IDENTIFIED ON THE CONTAINER WITH THE FOLLOWING INFORMATION:

TYCO ELECTRONICS P/N: XXXXXXXX-X
 DATE CODE (e.g. 0106): YEAR WEEK
 XXXX

- 3 MATERIAL: COPPER ALLOY
- 4 FINISH: GOLD PLATED, .000010 MIN THICK OVER NICKEL PLATED, .000050 MIN THICK.
- 5 FINISH: GOLD PLATED, .000030 MIN THICK OVER NICKEL PLATED, .000050 MIN THICK.

6. FOR TERMINATION, USE THE FOLLOWING EQUIPMENT:
 SHOWN FOR REFERENCE ONLY (USER SPECIFIED)
 CRIMP TOOL: M22520/1-01
 TURRET HEAD/LOCATER: M22520/1-02

5	1650153-7
4	1650153-2
PART NUMBER	

<small>THIS DRAWING IS A CONTROLLED DOCUMENT FOR TYCO ELECTRONICS CORPORATION IT IS SUBJECT TO CHANGE AND THE CONTROLLING ENGINEERING ORGANIZATION SHOULD BE CONTACTED FOR THE LATEST REVISION.</small>		DWN: 25 JUN 2007 RFA/GRZYBOWSKI CHR: 25 JUN 2007 D. ORRIS APVD: 25 JUN 2007 CHAU/FLICKINGER		Tyco Electronics Tyco Electronics Harrisburg, PA 17105-3608	
DIMENSIONS: INCHES 		TOLERANCES UNLESS OTHERWISE SPECIFIED: 0 PLC ±- 1 PLC ±- 2 PLC ±.02 3 PLC ±.010 4 PLC ±- ANGLES ±.5		NAME: CONTACT, PIN, SIZE No. 12 CRIMP REMOVABLE MACHINED VERSION	
MATERIAL: 3		FINISH: 4, 5		PRODUCT SPEC: - APPLICATION SPEC: - WEIGHT: -	
CUSTOMER DRAWING		SIZE: A3 CAGE CODE: 00779 DRAWING NO: C-1650153		RESTRICTED TO: -	
SCALE: 8:1		SHEET: 1 OF 1		REV: B	