



Chipsmall Limited consists of a professional team with an average of over 10 year of expertise in the distribution of electronic components. Based in Hongkong, we have already established firm and mutual-benefit business relationships with customers from,Europe,America and south Asia,supplying obsolete and hard-to-find components to meet their specific needs.

With the principle of “Quality Parts,Customers Priority,Honest Operation,and Considerate Service”,our business mainly focus on the distribution of electronic components. Line cards we deal with include Microchip,ALPS,ROHM,Xilinx,Pulse,ON,Everlight and Freescale. Main products comprise IC,Modules,Potentiometer,IC Socket,Relay,Connector.Our parts cover such applications as commercial,industrial, and automotives areas.

We are looking forward to setting up business relationship with you and hope to provide you with the best service and solution. Let us make a better world for our industry!



## Contact us

Tel: +86-755-8981 8866 Fax: +86-755-8427 6832

Email & Skype: info@chipsmall.com Web: www.chipsmall.com

Address: A1208, Overseas Decoration Building, #122 Zhenhua RD., Futian, Shenzhen, China



4

3

2

1

THIS DRAWING IS UNPUBLISHED.

RELEASED FOR PUBLICATION

20

© COPYRIGHT 20

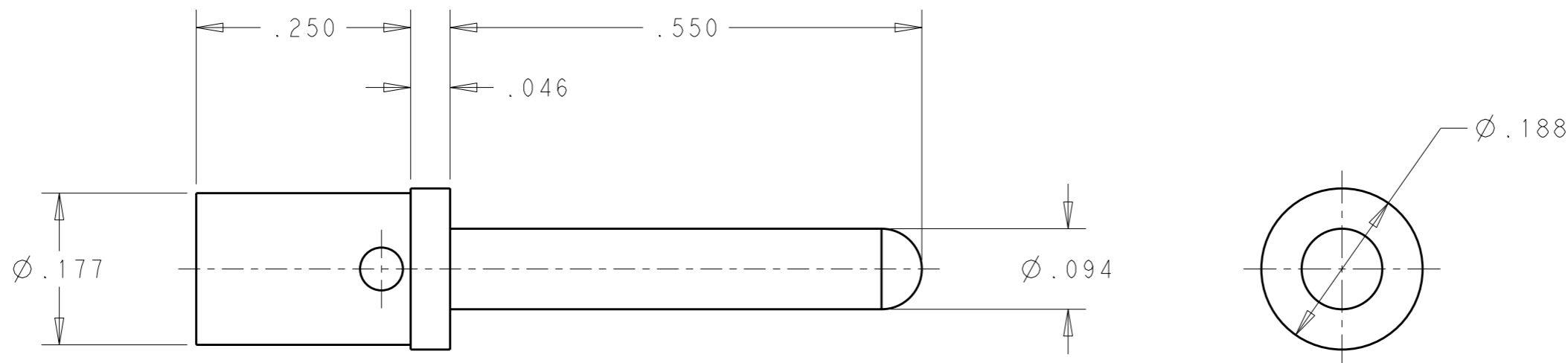
BY TYCO ELECTRONICS CORPORATION. ALL INTERNATIONAL RIGHTS RESERVED.

LOC  
GP

DIST  
00

REVISIONS

P	LTR	DESCRIPTION	DATE	DWN	APVD
	A	RELEASED	05AUG2009	RG	DO



1. PART NUMBER CHANGES AND/OR CHANGES AFFECTING ITEM INTERCHANGEABILITY REQUIRE PRIOR TYCO ELECTRONICS APPROVAL AND AUTHORIZATION BY REVISION TO THIS PRODUCT.

2 MATERIAL:  
COPPER ALLOY

3 FINISH:  
SILVER PLATE .000200 MIN THK. OVER NICKEL .000040 MIN THK.

4 FINISH:  
GOLD PLATE .000030 MIN THK. OVER NICKEL .000040 MIN THK.

5. ITEMS PROVIDED TO THIS SPECIFICATION TO BE PERMANENTLY IDENTIFIED ON THE CONTAINER WITH THE FOLLOWING INFORMATION:

TYCO ELECTRONICS P/N  
XXXXXXX-X

YEAR WEEK  
DATE CODE (e.g. 0106)  
XXXX

4	1650177-4
3	1650177-3
FINISH	PART NUMBER

DIMENSIONS: INCHES		TOLERANCES UNLESS OTHERWISE SPECIFIED:		DWN 05AUG2009 R. GRZYBOWSKI		Tyco Electronics Harrisburg, PA 17105-3608	
0 PLC	±-	1 PLC	±-	CHK 05AUG2009 D. ORRIS	NAME		
2 PLC	±.01	2 PLC	±.01	APVD 05AUG2009 M. PERCHERKE	PIN CONTACT		
3 PLC	±.005	3 PLC	±.005	PRODUCT SPEC	SIZE No.12 WITH SIZE No.10 CRIMP BARREL		
4 PLC	±-	4 PLC	±-	APPLICATION SPEC	DRAWER		
ANGLES	±-	FINISH	-	114-13206	SIZE	CAGE CODE	DRAWING NO
MATERIAL	2			WEIGHT	A3	00779	1650177
				CUSTOMER DRAWING	RESTRICTED TO		
					SCALE	SHEET	OF
					6:1	1	1
							REV
							A