



Chipsmall Limited consists of a professional team with an average of over 10 year of expertise in the distribution of electronic components. Based in Hongkong, we have already established firm and mutual-benefit business relationships with customers from,Europe,America and south Asia,supplying obsolete and hard-to-find components to meet their specific needs.

With the principle of “Quality Parts,Customers Priority,Honest Operation,and Considerate Service”,our business mainly focus on the distribution of electronic components. Line cards we deal with include Microchip,ALPS,ROHM,Xilinx,Pulse,ON,Everlight and Freescale. Main products comprise IC,Modules,Potentiometer,IC Socket,Relay,Connector.Our parts cover such applications as commercial,industrial, and automotives areas.

We are looking forward to setting up business relationship with you and hope to provide you with the best service and solution. Let us make a better world for our industry!



Contact us

Tel: +86-755-8981 8866 Fax: +86-755-8427 6832

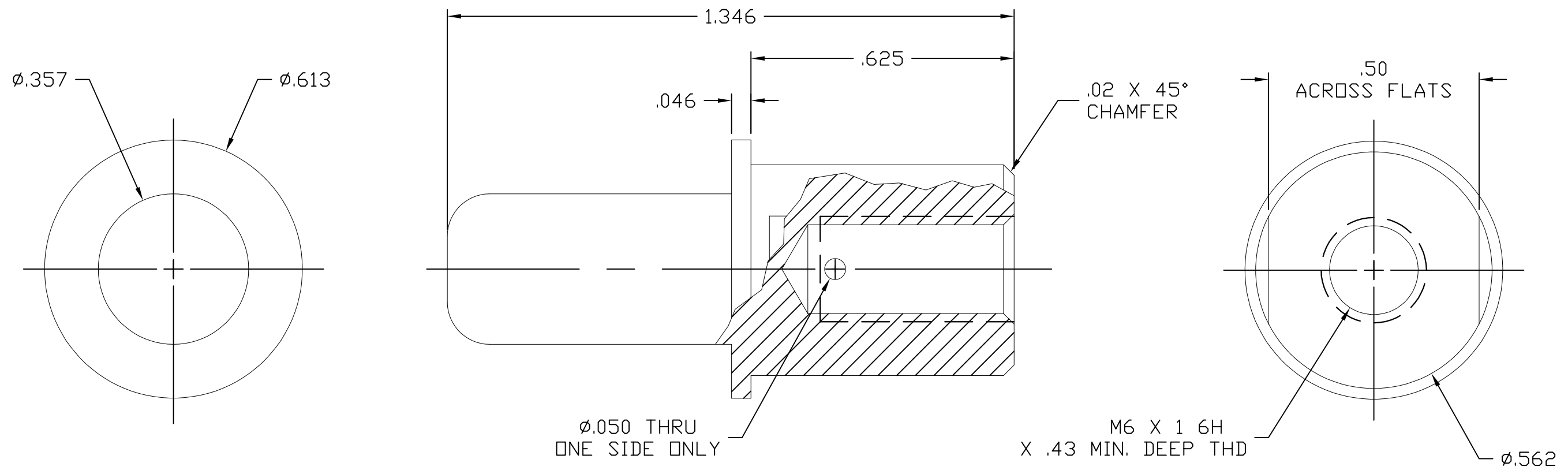
Email & Skype: info@chipsmall.com Web: www.chipsmall.com

Address: A1208, Overseas Decoration Building, #122 Zhenhua RD., Futian, Shenzhen, China



THIS DRAWING IS UNPUBLISHED. RELEASED FOR PUBLICATION
 © COPYRIGHT BY TYCO ELECTRONICS CORPORATION. ALL INTERNATIONAL RIGHTS RESERVED.

LOC	DIST	REVISIONS					
GP	00	P	LTR	DESCRIPTION	DATE	DWN	APVD
			F	REV PER ECO-08-008886	12AUG08	RG	DO



4. FINISH:
GOLD PLATED .000030 MIN THK. OVER NICKEL OVER NICKEL .000050 MIN THK.
3. MATERIAL: TELLURIUM COPPER ALLOY C14500 PER ASTM B301.
2. ITEMS PROVIDED TO THIS SPECIFICATION SHALL BE IDENTIFIED ON THE CONTAINER WITH THE FOLLOWING INFORMATION:
PART NUMBER AND DATE CODE OF MANUFACTURE.
1. PART NUMBER CHANGES AND OR DESIGN CHANGES AFFECTING ITEM INTERCHANGEABILITY REQUIRE PRIOR TYCO ELECTRONICS APPROVAL AND AUTHORIZATION BY REVISION TO THIS DRAWING.

AS SHOWN	1650280-3
DESCRIPTION	PART NUMBER

THIS DRAWING IS A CONTROLLED DOCUMENT.		DWN	12AUG2008	Tyco Electronics Corporation	
		CHK	-	Harrisburg, PA 17105-3608	
DIMENSIONS: INCHES		APVD	12AUG08	NAME	
TOLERANCES UNLESS OTHERWISE SPECIFIED:		PRODUCT SPEC	-	PIN CONTACT, SIZE No. 0	
0 PLC $\pm -$		APPLICATION SPEC	-	M6 X 1 INT. THD, SINGLE CROWN	
1 PLC $\pm -$		WEIGHT	-	PN: 711-23-02107/711-23-02109	
2 PLC $\pm .02$		SIZE		CAGE CODE	DRAWING NO
3 PLC $\pm .010$		A3		00779	C-1650280
4 PLC $\pm -$		CUSTOMER DRAWING		SCALE	SHEET
ANGLES $\pm -$				4:1	1 OF 1
FINISH				REV	F
-					